

FEATURES

- Qualified for automotive applications
- Worldwide NTSC/PAL/SECAM color demodulation support
- One 10-bit ADC, 4× oversampling for CVBS, 2× oversampling for Y/C mode, and 2× oversampling for YPrPb (per channel)
- 3 video input channels with on-chip antialiasing filter
- CVBS (composite), Y/C (S-Video), and YPrPb (component) video input support
- 5-line adaptive comb filters and CTI/DNR video enhancement
- Mini-TBC functionality provided by adaptive digital line length tracking (ADLLT), signal processing, and enhanced FIFO management
- Integrated AGC with adaptive peak white mode
- Macrovision copy protection detection
- NTSC/PAL/SECAM autodetection
- 8-bit ITU-R BT.656 YCrCb 4:2:2 output and HS, VS, and FIELD¹
- 1.0 V analog input signal range
- Full-featured VBI data slicer with teletext support (WST)
- Power-down mode and ultralow sleep mode current
- 2-wire serial MPU interface (I²C compatible)
- Single 1.8 V supply possible
- 1.8 V analog, 1.8 V PLL, 1.8 V digital, 1.8 V to 3.3 V I/O supply
- −10°C to +70°C commercial temperature grade
- −40°C to +85°C industrial/automotive qualified temperature grade
- −40°C to +125°C temperature grade for automotive qualified

4 package types

- 64-lead, 10 mm × 10 mm, RoHS-compliant LQFP
- 48-lead, 7 mm × 7 mm, RoHS-compliant LQFP
- 40-lead, 6 mm × 6 mm, RoHS-compliant LFCSP
- 32-lead, 5 mm × 5 mm, RoHS-compliant LFCSP

GENERAL DESCRIPTION

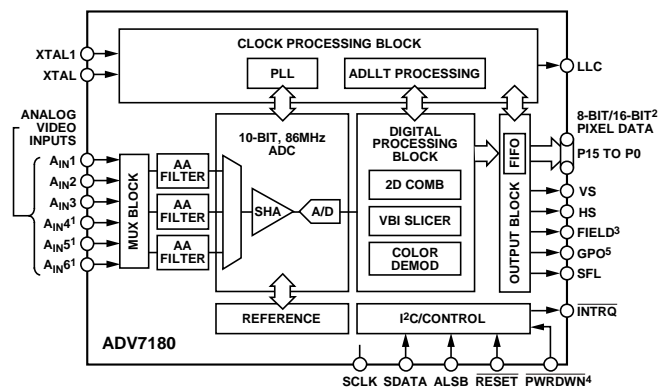
The ADV7180 automatically detects and converts standard analog baseband television signals compatible with worldwide NTSC, PAL, and SECAM standards into 4:2:2 component video data compatible with the 8-bit ITU-R BT.656 interface standard.

The simple digital output interface connects gluelessly to a wide range of MPEG encoders, codecs, mobile video processors, and Analog Devices, Inc., digital video encoders, such as the [ADV7391](#). External HS, VS, and FIELD signals provide timing references for LCD controllers and other video ASICs, if required. Accurate 10-bit analog-to-digital conversion provides professional quality

APPLICATIONS

- Digital camcorders and PDAs
- Low cost SDTV PIP decoders for digital TVs
- Multichannel DVRs for video security
- AV receivers and video transcoding
- PCI-/USB-based video capture and TV tuner cards
- Personal media players and recorders
- Smartphone/multimedia handsets
- In-car/automotive infotainment units
- Rearview camera/vehicle safety systems

FUNCTIONAL BLOCK DIAGRAM



- ¹ONLY AVAILABLE ON 64-LEAD PACKAGE AND 48-LEAD PACKAGES.
- ²16-BIT ONLY AVAILABLE ON 64-LEAD PACKAGE.
- ³48-LEAD, 40-LEAD, AND 32-LEAD PACKAGE USES ONE LEAD FOR VS/FIELD.
- ⁴NOT AVAILABLE ON 32-LEAD PACKAGE.
- ⁵ONLY AVAILABLE ON 48-LEAD AND 64-LEAD PACKAGES.

Figure 1.

video performance for consumer applications with true 8-bit data resolution. Three analog video input channels accept standard composite, S-Video, or component video signals, supporting a wide range of consumer video sources. AGC and clamp-restore circuitry allow an input video signal peak-to-peak range to 1.0 V. Alternatively, these can be bypassed for manual settings.

The line-locked clock output allows the output data rate, timing signals, and output clock signals to be synchronous, asynchronous, or line locked even with ±5% line length variation. Output control signals allow glueless interface connections in many applications. The ADV7180 is programmed via a 2-wire, serial bidirectional port (I²C compatible) and is fabricated in a 1.8 V CMOS process. Its monolithic CMOS construction ensures greater functionality with lower power dissipation. LFCSP package options make the decoder ideal for space-constrained portable applications. The 64-lead LQFP package is pin compatible with the [ADV7181C](#).

¹ The 48-Lead LQFP, 40-lead LFCSP, and 32-lead LFCSP use one pin to output VS or FIELD.

Rev. G

Information furnished by Analog Devices is believed to be accurate and reliable. However, no responsibility is assumed by Analog Devices for its use, nor for any infringements of patents or other rights of third parties that may result from its use. Specifications subject to change without notice. No license is granted by implication or otherwise under any patent or patent rights of Analog Devices. Trademarks and registered trademarks are the property of their respective owners.

TABLE OF CONTENTS

| | | | |
|--|----|---|-----|
| Features | 1 | Sync Processing | 26 |
| General Description | 1 | VBI Data Recovery..... | 26 |
| Applications..... | 1 | General Setup..... | 26 |
| Functional Block Diagram | 1 | Color Controls..... | 28 |
| Revision History | 3 | Clamp Operation..... | 30 |
| Introduction | 5 | Luma Filter | 31 |
| Analog Front End..... | 5 | Chroma Filter..... | 34 |
| Standard Definition Processor..... | 5 | Gain Operation..... | 35 |
| Functional Block Diagrams..... | 6 | Chroma Transient Improvement (CTI) | 39 |
| Specifications..... | 8 | Digital Noise Reduction (DNR) and Luma Peaking Filter ... | 40 |
| Electrical Characteristics | 8 | Comb Filters..... | 41 |
| Video Specifications..... | 9 | IF Filter Compensation | 43 |
| Timing Specifications | 10 | AV Code Insertion and Controls | 44 |
| Analog Specifications..... | 11 | Synchronization Output Signals..... | 46 |
| Thermal Specifications | 11 | Sync Processing | 53 |
| Absolute Maximum Ratings..... | 12 | VBI Data Decode | 53 |
| ESD Caution..... | 12 | I ² C Readback Registers..... | 62 |
| Pin Configurations and Function Descriptions | 13 | Pixel Port Configuration | 75 |
| 32-Lead LFCSP | 13 | GPO Control | 76 |
| 40-Lead LFCSP | 14 | MPU Port Description..... | 77 |
| 64-Lead LQFP | 15 | Register Access..... | 78 |
| 48-Lead LQFP | 17 | Register Programming..... | 78 |
| Analog Front End | 18 | I ² C Sequencer..... | 78 |
| Input Configuration | 19 | I ² C Register Maps | 79 |
| Power-On $\overline{\text{RESET}}$ | 20 | I ² C Programming Examples..... | 106 |
| Analog Input Muxing | 20 | 64-Lead LQFP | 106 |
| Antialiasing Filters | 21 | 48-Lead LQFP | 107 |
| Global Control Registers | 22 | 40-Lead LFCSP | 108 |
| Power-Saving Modes..... | 22 | 32-Lead LFCSP | 109 |
| Reset Control | 22 | PCB Layout Recommendations..... | 110 |
| Global Pin Control | 22 | Analog Interface Inputs | 110 |
| Global Status Register | 24 | Power Supply Decoupling | 110 |
| Identification..... | 24 | PLL | 110 |
| Status 1 | 24 | VREFN and VREFP..... | 110 |
| Autodetection Result..... | 24 | Digital Outputs (Both Data and Clocks) | 110 |
| Status 2 | 24 | Digital Inputs | 110 |
| Status 3 | 24 | Typical Circuit Connection..... | 111 |
| Video Processor | 25 | Outline Dimensions | 115 |
| SD Luma Path | 25 | Ordering Guide | 117 |
| SD Chroma Path..... | 25 | Automotive Products..... | 117 |

REVISION HISTORY**3/12—Rev. F to Rev. G**

| | |
|--|-----|
| Changed ADV7179 to ADV7391 Throughout | 1 |
| Changes to Figure 12 | 18 |
| Changes to Table 14 | 19 |
| Changes to Power-On RESET Section and MAN_MUX_EN, Manual Input Muxing Enable, Address 0xC4[7] Section | 20 |
| Changed NTSM to NTSC Throughout | 24 |
| Deleted ADV7190, ADV7191, and ADV7192 Throughout | 27 |
| Change to DEF_C[7:0], Default Value C, Address 0x0D[7:0] Section | 29 |
| Changes to Luma Filter Section | 31 |
| Changes to Table 39 and LAGT[1:0], Luma Automatic Gain Timing, Address 0x2F[7:6] Section | 36 |
| Changed Calculation of the Luma Calibration Factor Section Heading to Calculation of the Chroma Calibration Factor Section | 38 |
| Changes to Range, Range Selection, Address 0x04[0] Section | 45 |
| Changes to PHS, Polarity HS, Address 0x37[7] Section | 46 |
| Changes to 0x0D, 0x1D, 0x2C, 0x37, and 0x41, Table 107 | 85 |
| Changes to Power Supply Decoupling Section | 110 |
| Deleted Figure 55; Renumbered Sequentially | 110 |
| Changes to Figure 55 | 111 |
| Changes to Figure 56 | 112 |
| Changes to Figure 57 | 113 |
| Changes to Figure 58 | 114 |
| Changes to Ordering Guide | 117 |

7/10—Rev. E to Rev. F

| | |
|--|------------|
| Added 48-Lead LQFP | Throughout |
| Changes to Features Section | 1 |
| Changes to Table 2 | 4 |
| Added Figure 5; Renumbered Sequentially | 6 |
| Added Input Current (SDA, SCLK) Parameter and Input Current (PWRDWN) Parameter, Table 3 | 7 |
| Added Figure 11 and Table 12; Renumbered Sequentially | 16 |
| Changes to MAN_MUX_EN, Manual Input Muxing Enable, Address 0xC4[7] Section | 19 |
| Added GDE_SEL_OLD_ADF Bit Description, Table 107 | 92 |
| Moved 32-Lead LFCSP Section | 108 |
| Added Figure 58 | 112 |
| Updated Outline Dimensions | 115 |
| Changes to Ordering Guide | 116 |

2/10—Rev. D to Rev. E

| | |
|---|------------|
| Added 32-Lead LFCSP | Throughout |
| Changes to Features | 1 |
| Changes to Figure 1 | 1 |
| Changes to Introduction | 4 |
| Added Figure 4, Renumbered Sequentially | 8 |
| Added Figure 9 and Table 11 | 14 |
| Changes to Figure 11 | 15 |
| Changes to Table 12 and Table 13 | 16 |

| | |
|---|-----|
| Changes to Power-On Reset Section, Analog Input Muxing Section, and Table 14 | 17 |
| Changes to PDBP Section and TOD Section | 19 |
| Changes to Identification Section | 21 |
| Changes to VS and FIELD Configuration Section and SQPE Section | 44 |
| Changes to Table 99 and Table 100 | 72 |
| Changes to GPO Control Section | 73 |
| Changes to Table 104 | 76 |
| Changes to Table 106 | 80 |
| Added Figure 56 | 108 |
| Added Figure 59 | 110 |
| Changes to Ordering Guide | 110 |

6/09—Rev. C to Rev. D

| | |
|--|-----|
| Change to General Description | 1 |
| Deleted Comparison with the ADV7181B Section | 5 |
| Deleted Figure 2; Renumbered Sequentially | 5 |
| Changes to Power Requirements Parameter, Table 2 | 6 |
| Changes to Table 29 | 25 |
| Changes to Figure 33 | 44 |
| Changes to Subaddress 0x0A Notes, Table 104 | 81 |
| Changes to Ordering Guide | 110 |

4/09—Rev. B to Rev. C

| | |
|--|----|
| Changes to Features Section | 1 |
| Changes to Absolute Maximum Ratings, Table 7 | 11 |
| Changes to Figure 7 and Table 8, EPAD Addition | 12 |
| Added Power-On RESET Section | 17 |
| Changes to MAN_MUX_EN, Manual Input Muxing Enable, Address 0xC4[7] Section and Table 12 | 17 |
| Changes to Identification Section | 21 |
| Added Table 16; Renumbered Sequentially | 21 |
| Changes to Table 21 | 23 |
| Changes to CIL[2:0], Count Into Lock, Address 0x51[2:0] Section and COL[2:0], Count Out of Lock, Address 0x51[5:3] Section | 25 |
| Changes to Table 32 and Table 33 | 30 |
| Changes to Table 34 | 32 |
| Changes to Table 42 | 35 |
| Changes to Table 52 | 38 |
| Changes to Table 53 and Table 56 | 39 |
| Changes to Table 61 and Figure 32 | 43 |
| Added SQPE, Square Pixel Mode, Address 0x01[2] Section | 44 |
| Changes to NEWAVMODE, New AV Mode, Address 0x31[4] Section | 44 |
| Changes to Figure 34 | 45 |
| Changes to NFTOG[4:0], NTSC Field Toggle, Address 0xE7[4:0] Section | 47 |
| Changes to PFTOG, PAL Field Toggle, Address 0xEA[4:0] Section | 49 |
| Changes to VDP Manual Configuration Section | 50 |
| Changes to Table 66 | 51 |

Changes to Table 71..... 54
 Changes to Table 72..... 55
 Changes to VPS Section and PDC/UTC Section 63
 Changes to Gemstar_2x Format, Half-Byte Output Mode
 Section..... 66
 Changes to NTSC CCAP Data Section and PAL CCAP Data
 Section..... 69
 Changes to Figure 48..... 74
 Changes to I²C Sequencer Section 75
 Changes to Table 102..... 76
 Changes to Table 104..... 80
 Changes to Table 105..... 97
 Changes to Figure 53..... 108
 Changes to Figure 54..... 109
 Added Exposed Paddle Notation to Outline Dimensions 110
 Changes to Ordering Guide 111

2/07—Rev. A to Rev. B

Changes to SFL_INV, Subcarrier Frequency Lock Inversion
 Section..... 24
 Changes to Table 103, Register 0x41 90
 Updated Outline Dimensions 111

11/06—Rev. 0 to Rev. A

Changes to Table 10 and Table 11 16
 Changes to Table 30 28
 Changes to Gain Operation Section 33
 Changes to Table 43 35
 Changes to Table 97 72
 Changes to Table 99 73
 Changes to Table 103 80
 Changes to Figure 54..... 110

1/06—Revision 0: Initial Version

INTRODUCTION

The ADV7180 is a versatile one-chip multiformat video decoder that automatically detects and converts PAL, NTSC, and SECAM standards in the form of composite, S-Video, and component video into a digital ITU-R BT.656 format.

The simple digital output interface connects gluelessly to a wide range of MPEG encoders, codecs, mobile video processors, and Analog Devices digital video encoders, such as the [ADV7391](#). External HS, VS, and FIELD signals provide timing references for LCD controllers and other video ASICs that do not support the ITU-R BT.656 interface standard. The different package options available for the ADV7180 are shown in Table 2.

ANALOG FRONT END

The ADV7180 analog front end comprises a single high speed, 10-bit analog-to-digital converter (ADC) that digitizes the analog video signal before applying it to the standard definition processor. The analog front end employs differential channels to the ADC to ensure high performance in mixed-signal applications.

The front end also includes a 3-channel input mux that enables multiple composite video signals to be applied to the ADV7180. Current clamps are positioned in front of the ADC to ensure that the video signal remains within the range of the converter. A resistor divider network is required before each analog input channel to ensure that the input signal is kept within the range of the ADC (see Figure 27). Fine clamping of the video signal is performed downstream by digital fine clamping within the ADV7180.

Table 1 shows the three ADC clocking rates that are determined by the video input format to be processed—that is, INSEL[3:0]. These clock rates ensure 4× oversampling per channel for CVBS mode and 2× oversampling per channel for Y/C and YPrPb modes.

Table 1. ADC Clock Rates

| Input Format | ADC Clock Rate (MHz) ¹ | Oversampling Rate per Channel |
|----------------------------|-----------------------------------|-------------------------------|
| CVBS | 57.27 | 4× |
| Y/C (S-Video) ² | 86 | 2× |
| YPrPb | 86 | 2× |

¹ Based on a 28.6363 MHz crystal between the XTAL and XTAL1 pins.

² See INSEL[3:0] in Table 107 for the mandatory write for Y/C (S-Video) mode.

Table 2. ADV7180 Selection Guide

| Part Number | Package Type | Analog Inputs | Digital Outputs | Temperature Grade |
|---|---------------|---------------|-----------------|-------------------|
| ADV7180KCP32Z | 32-lead LFCSP | 3 | 8-bit | −10°C to +70°C |
| ADV7180WBBCP32Z (Automotive) ¹ | 32-lead LFCSP | 3 | 8-bit | −40°C to +85°C |
| ADV7180BCPZ | 40-lead LFCSP | 3 | 8-bit | −40°C to +85°C |
| ADV7180WBBCPZ (Automotive) ¹ | 40-lead LFCSP | 3 | 8-bit | −40°C to +125°C |
| ADV7180BSTZ | 64-lead LQFP | 6 | 8-bit/16-bit | −40°C to +85°C |
| ADV7180WBSTZ (Automotive) ¹ | 64-lead LQFP | 6 | 8-bit/16-bit | −40°C to +125°C |
| ADV7180WBST48Z (Automotive) ¹ | 48-lead LQFP | 6 | 8-bit | −40°C to +85°C |

¹ Automotive qualification completed.

STANDARD DEFINITION PROCESSOR

The ADV7180 is capable of decoding a large selection of baseband video signals in composite, S-Video, and component formats. The video standards supported by the video processor include PAL B/D/I/G/H, PAL 60, PAL M, PAL N, PAL Nc, NTSC M/J, NTSC 4.43, and SECAM B/D/G/K/L. The ADV7180 can automatically detect the video standard and process it accordingly.

The ADV7180 has a five-line, superadaptive, 2D comb filter that gives superior chrominance and luminance separation when decoding a composite video signal. This highly adaptive filter automatically adjusts its processing mode according to the video standard and signal quality without requiring user intervention. Video user controls such as brightness, contrast, saturation, and hue are also available with the ADV7180.

The ADV7180 implements a patented ADLLT™ algorithm to track varying video line lengths from sources such as a VCR. ADLLT enables the ADV7180 to track and decode poor quality video sources such as VCRs and noisy sources from tuner outputs, VCD players, and camcorders. The ADV7180 contains a chroma transient improvement (CTI) processor that sharpens the edge rate of chroma transitions, resulting in sharper vertical transitions.

The video processor can process a variety of VBI data services, such as closed captioning (CCAP), wide screen signaling (WSS), copy generation management system (CGMS), EDTV, Gemstar® 1×/2×, and extended data service (XDS). Teletext data slicing for world standard teletext (WST), along with program delivery control (PDC) and video programming service (VPS), are provided. Data is transmitted via the 8-bit video output port as ancillary data packets (ANC). The ADV7180 is fully Macrovision® certified; detection circuitry enables Type I, Type II, and Type III protection levels to be identified and reported to the user. The decoder is also fully robust to all Macrovision signal inputs.

FUNCTIONAL BLOCK DIAGRAMS

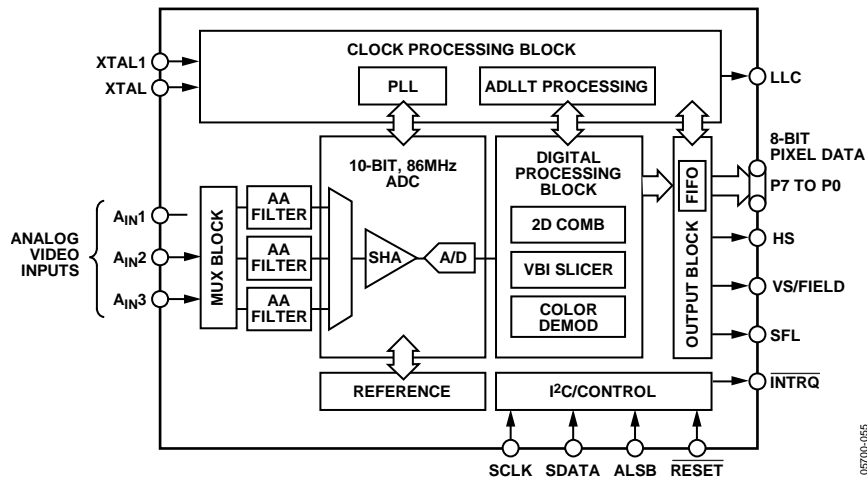


Figure 2. 32-Lead LFCSP Functional Diagram

05700-165

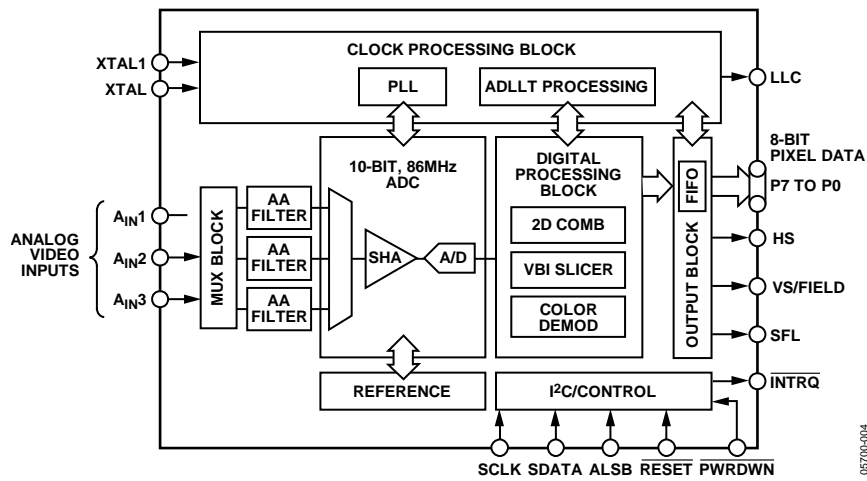


Figure 3. 40-Lead LFCSP Functional Block Diagram

05700-004

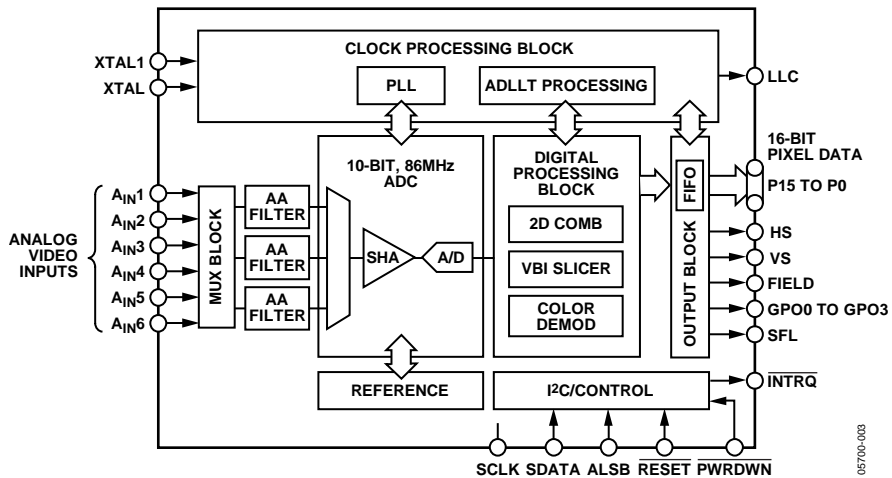


Figure 4. 64-Lead LQFP Functional Block Diagram

05700-003

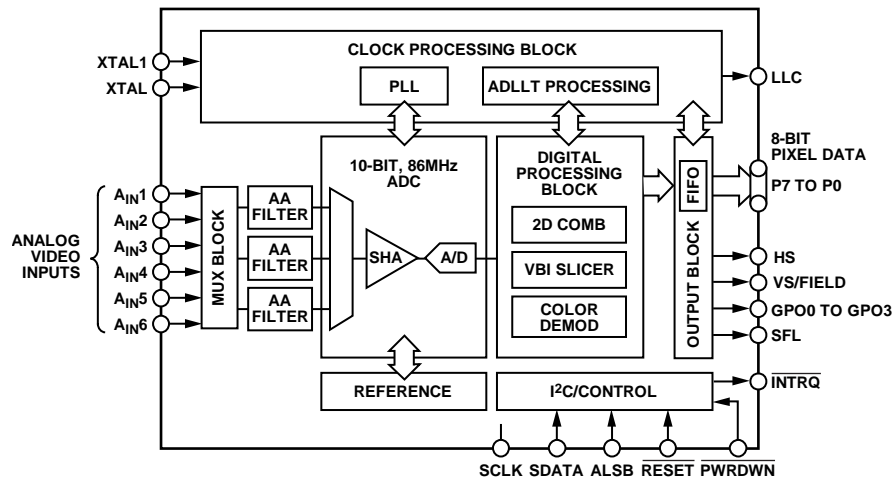


Figure 5. 48-Lead LQFP Functional Block Diagram

057700-060

SPECIFICATIONS

ELECTRICAL CHARACTERISTICS

$A_{VDD} = 1.71\text{ V to }1.89\text{ V}$, $D_{VDD} = 1.65\text{ V to }2.0\text{ V}$, $D_{VDDIO} = 1.62\text{ V to }3.6\text{ V}$, $P_{VDD} = 1.65\text{ V to }2.0\text{ V}$, specified at operating temperature range, unless otherwise noted.

Table 3.

| Parameter | Symbol | Test Conditions/Comments | Min | Typ | Max | Unit |
|---|--------------|------------------------------|------|-----------|------|---------------|
| STATIC PERFORMANCE | | | | | | |
| Resolution (Each ADC) | N | | | | 10 | Bits |
| Integral Nonlinearity | INL | BSL in CVBS mode | | 2 | | LSB |
| Differential Nonlinearity | DNL | CVBS mode | | -0.6/+0.6 | | LSB |
| DIGITAL INPUTS | | | | | | |
| Input High Voltage (DVDDIO = 3.3 V) | V_{IH} | | 2 | | | V |
| Input High Voltage (DVDDIO = 1.8 V) | V_{IH} | | 1.2 | | | V |
| Input Low Voltage (DVDDIO = 3.3 V) | V_{IL} | | | | 0.8 | V |
| Input Low Voltage (DVDDIO = 1.8 V) | V_{IL} | | | | 0.4 | V |
| Crystal Inputs | V_{IH} | | 1.2 | | | V |
| | V_{IL} | | | | 0.4 | V |
| Input Current | I_{IN} | | -10 | | +10 | μA |
| Input Current (SDA, SCLK) ¹ | I_{IN} | | -10 | | +15 | μA |
| Input Current (PWRDWN) ² | I_{IN} | | -10 | | +40 | μA |
| Input Capacitance | C_{IN} | | | | 10 | pF |
| DIGITAL OUTPUTS | | | | | | |
| Output High Voltage (DVDDIO = 3.3 V) | V_{OH} | $I_{SOURCE} = 0.4\text{ mA}$ | 2.4 | | | V |
| Output High Voltage (DVDDIO = 1.8 V) | V_{OH} | $I_{SOURCE} = 0.4\text{ mA}$ | 1.4 | | | V |
| Output Low Voltage (DVDDIO = 3.3 V) | V_{OL} | $I_{SINK} = 3.2\text{ mA}$ | | | 0.4 | V |
| Output Low Voltage (DVDDIO = 1.8 V) | V_{OL} | $I_{SINK} = 1.6\text{ mA}$ | | | 0.2 | V |
| High Impedance Leakage Current | I_{LEAK} | | | | 10 | μA |
| Output Capacitance | C_{OUT} | | | | 20 | pF |
| POWER REQUIREMENTS^{3, 4, 5} | | | | | | |
| Digital Power Supply | D_{VDD} | | 1.65 | 1.8 | 2 | V |
| Digital I/O Power Supply | D_{VDDIO} | | 1.62 | 3.3 | 3.6 | V |
| PLL Power Supply | P_{VDD} | | 1.65 | 1.8 | 2.0 | V |
| Analog Power Supply | A_{VDD} | | 1.71 | 1.8 | 1.89 | V |
| Digital Supply Current | I_{DVDD} | | | 77 | 85 | mA |
| Digital I/O Supply Current ⁶ | I_{DVDDIO} | | | 3 | 5 | mA |
| PLL Supply Current | I_{PVDD} | | | 12 | 15 | mA |
| Analog Supply Current | I_{AVDD} | CVBS input | | 33 | 43 | mA |
| | | Y/C input | | 59 | 75 | mA |
| | | YPrPb input | | 77 | 94 | mA |
| Power-Down Current | I_{DVDD} | | | 6 | 10 | μA |
| | I_{DVDDIO} | | | 0.1 | 1 | μA |
| | I_{PVDD} | | | 1 | 5 | μA |
| | I_{AVDD} | | | 1 | 5 | μA |
| Total Power Dissipation in Power-Down Mode ⁷ | | | | 15 | 44 | μW |
| Power-Up Time | t_{PWRUP} | | | 20 | | ms |

¹ ADV7180KCP32Z, ADV7180WBCP32Z, and ADV7180WBST48Z only.

² ADV7180WBST48Z only.

³ Guaranteed by characterization.

⁴ Typical current consumption values are recorded with nominal voltage supply levels and a SMPTEBAR pattern.

⁵ Maximum current consumption values are recorded with maximum rated voltage supply levels and a multiburst pattern.

⁶ Typical (Typ) number is measured with DVDDIO = 3.3 V and maximum (Max) number is measured with DVDDIO = 3.6 V.

⁷ ADV7180 clocked.

VIDEO SPECIFICATIONS

Guaranteed by characterization. $A_{VDD} = 1.71\text{ V to }1.89\text{ V}$, $D_{VDD} = 1.65\text{ V to }2.0\text{ V}$, $D_{VDDIO} = 1.62\text{ V to }3.6\text{ V}$, $P_{VDD} = 1.65\text{ V to }2.0\text{ V}$, specified at operating temperature range, unless otherwise noted.

Table 4.

| Parameter | Symbol | Test Conditions/Comments | Min | Typ | Max | Unit |
|---------------------------------|--------|---------------------------------------|-----|-----------|-----|---------|
| NONLINEAR SPECIFICATIONS | | | | | | |
| Differential Phase | DP | CVBS input, modulate five-step [NTSC] | | 0.6 | | Degrees |
| Differential Gain | DG | CVBS input, modulate five-step [NTSC] | | 0.5 | | % |
| Luma Nonlinearity | LNL | CVBS input, five-step [NTSC] | | 2.0 | | % |
| NOISE SPECIFICATIONS | | | | | | |
| SNR Unweighted | | Luma ramp | | 57.1 | | dB |
| | | Luma flat field | | 58 | | dB |
| Analog Front-End Crosstalk | | | | 60 | | dB |
| LOCK TIME SPECIFICATIONS | | | | | | |
| Horizontal Lock Range | | | -5 | | +5 | % |
| Vertical Lock Range | | | 40 | | 70 | Hz |
| f_{sc} Subcarrier Lock Range | | | | ± 1.3 | | kHz |
| Color Lock-In Time | | | | 60 | | Lines |
| Sync Depth Range | | | 20 | | 200 | % |
| Color Burst Range | | | 5 | | 200 | % |
| Vertical Lock Time | | | | 2 | | Fields |
| Autodetection Switch Speed | | | | 100 | | Lines |
| Chroma Luma Gain Delay | CVBS | | | 2.9 | | ns |
| | Y/C | | | 5.6 | | ns |
| | YPrPb | | | -3.0 | | ns |
| LUMA SPECIFICATIONS | | | | | | |
| Luma Brightness Accuracy | | CVBS, 1 V input | | 1 | | % |
| Luma Contrast Accuracy | | CVBS, 1 V input | | 1 | | % |

TIMING SPECIFICATIONS

Guaranteed by characterization. $A_{VDD} = 1.71\text{ V to }1.89\text{ V}$, $D_{VDD} = 1.65\text{ V to }2.0\text{ V}$, $D_{VDDIO} = 1.62\text{ V to }3.6\text{ V}$, $P_{VDD} = 1.65\text{ V to }2.0\text{ V}$, specified at operating temperature range, unless otherwise noted.

Table 5.

| Parameter | Symbol | Test Conditions | Min | Typ | Max | Unit |
|---------------------------------|--------------|--|-------|---------|-------|--------------|
| SYSTEM CLOCK AND CRYSTAL | | | | | | |
| Nominal Frequency | | | | 28.6363 | | MHz |
| Frequency Stability | | | | | ±50 | ppm |
| I²C PORT | | | | | | |
| SCLK Frequency | | | | | 400 | kHz |
| SCLK Minimum Pulse Width High | t_1 | | 0.6 | | | µs |
| SCLK Minimum Pulse Width Low | t_2 | | 1.3 | | | µs |
| Hold Time (Start Condition) | t_3 | | 0.6 | | | µs |
| Setup Time (Start Condition) | t_4 | | 0.6 | | | µs |
| SDA Setup Time | t_5 | | 100 | | | ns |
| SCLK and SDA Rise Times | t_6 | | | | 300 | ns |
| SCLK and SDA Fall Times | t_7 | | | | 300 | ns |
| Setup Time for Stop Condition | t_8 | | | 0.6 | | µs |
| RESET FEATURE | | | | | | |
| Reset Pulse Width | | | 5 | | | ms |
| CLOCK OUTPUTS | | | | | | |
| LLC Mark Space Ratio | $t_9:t_{10}$ | | 45:55 | | 55:45 | % duty cycle |
| DATA AND CONTROL OUTPUTS | | | | | | |
| Data Output Transitional Time | t_{11} | Negative clock edge to start of valid data ($t_{ACCESS} = t_{10} - t_{11}$) | | | 3.6 | ns |
| Data Output Transitional Time | t_{12} | End of valid data to negative clock edge ($t_{HOLD} = t_9 + t_{12}$) | | | 2.4 | ns |

Timing Diagrams

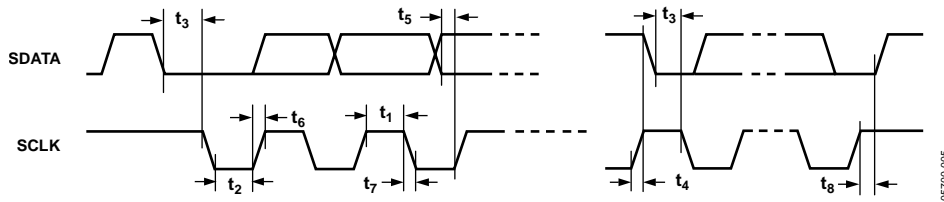


Figure 6. I²C Timing

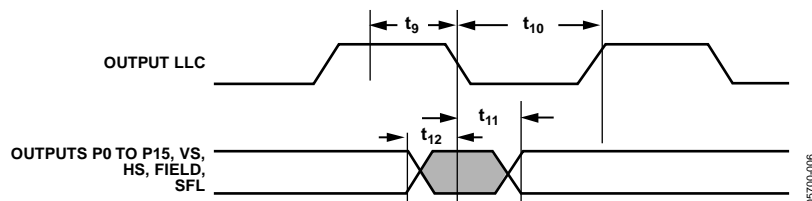


Figure 7. Pixel Port and Control Output Timing

ANALOG SPECIFICATIONS

Guaranteed by characterization. $A_{VDD} = 1.71\text{ V to }1.89\text{ V}$, $D_{VDD} = 1.65\text{ V to }2.0\text{ V}$, $D_{VDDIO} = 1.62\text{ V to }3.6\text{ V}$, $P_{VDD} = 1.65\text{ V to }2.0\text{ V}$, specified at operating temperature range, unless otherwise noted.

Table 6.

| Parameter | Test Conditions | Min | Typ | Max | Unit |
|----------------------------|---------------------|-----|-----|-----|------------------|
| CLAMP CIRCUITRY | | | | | |
| External Clamp Capacitor | Clamps switched off | | 0.1 | | μF |
| Input Impedance | | | 10 | | $\text{M}\Omega$ |
| Large-Clamp Source Current | | | 0.4 | | mA |
| Large-Clamp Sink Current | | | 0.4 | | mA |
| Fine Clamp Source Current | | | 10 | | μA |
| Fine Clamp Sink Current | | | 10 | | μA |

THERMAL SPECIFICATIONS

Table 7.

| Parameter | Symbol | Test Conditions | Min | Typ | Max | Unit |
|--|---------------|--|-----|------|-----|-----------------------------|
| THERMAL CHARACTERISTICS | | | | | | |
| Junction-to-Ambient Thermal Resistance (Still Air) | θ_{JA} | 4-layer PCB with solid ground plane, 32-lead LFCSP | | 32.5 | | $^{\circ}\text{C}/\text{W}$ |
| Junction-to-Case Thermal Resistance | θ_{JC} | 4-layer PCB with solid ground plane, 32-lead LFCSP | | 2.3 | | $^{\circ}\text{C}/\text{W}$ |
| Junction-to-Ambient Thermal Resistance (Still Air) | θ_{JA} | 4-layer PCB with solid ground plane, 40-lead LFCSP | | 30 | | $^{\circ}\text{C}/\text{W}$ |
| Junction-to-Case Thermal Resistance | θ_{JC} | 4-layer PCB with solid ground plane, 40-lead LFCSP | | 3 | | $^{\circ}\text{C}/\text{W}$ |
| Junction-to-Ambient Thermal Resistance (Still Air) | θ_{JA} | 4-layer PCB with solid ground plane, 64-lead LQFP | | 47 | | $^{\circ}\text{C}/\text{W}$ |
| Junction-to-Case Thermal Resistance | θ_{JC} | 4-layer PCB with solid ground plane, 64-lead LQFP | | 11.1 | | $^{\circ}\text{C}/\text{W}$ |
| Junction-to-Ambient Thermal Resistance (Still Air) | θ_{JA} | 4-layer PCB with solid ground plane, 48-lead LQFP | | 50 | | $^{\circ}\text{C}/\text{W}$ |
| Junction-to-Case Thermal Resistance | θ_{JC} | 4-layer PCB with solid ground plane, 48-lead LQFP | | 20 | | $^{\circ}\text{C}/\text{W}$ |

ABSOLUTE MAXIMUM RATINGS

Table 8.

| Parameter | Rating |
|--|-------------------------------------|
| A_{VDD} to AGND | 2.2 V |
| D_{VDD} to DGND | 2.2 V |
| P_{VDD} to AGND | 2.2 V |
| D_{VDDIO} to DGND | 4 V |
| D_{VDDIO} to A_{VDD} | -0.3 V to +4 V |
| P_{VDD} to D_{VDD} | -0.3 V to +0.9 V |
| D_{VDDIO} to P_{VDD} | -0.3 V to +4 V |
| D_{VDDIO} to D_{VDD} | -0.3 V to +4 V |
| A_{VDD} to P_{VDD} | -0.3 V to +0.3 V |
| A_{VDD} to D_{VDD} | -0.3 V to +0.9 V |
| Digital Inputs Voltage | DGND - 0.3 V to $D_{VDDIO} + 0.3$ V |
| Digital Outputs Voltage | DGND - 0.3 V to $D_{VDDIO} + 0.3$ V |
| Analog Inputs to AGND | AGND - 0.3 V to $A_{VDD} + 0.3$ V |
| Maximum Junction Temperature (T_J max) | 140°C |
| Storage Temperature Range | -65°C to +150°C |
| Infrared Reflow Soldering (20 sec) | 260°C |

Stresses above those listed under Absolute Maximum Ratings may cause permanent damage to the device. This is a stress rating only; functional operation of the device at these or any other conditions above those indicated in the operational section of this specification is not implied. Exposure to absolute maximum rating conditions for extended periods may affect device reliability.

This device is a high performance integrated circuit with an ESD rating of <2 kV, and it is ESD sensitive. Proper precautions should be taken for handling and assembly.

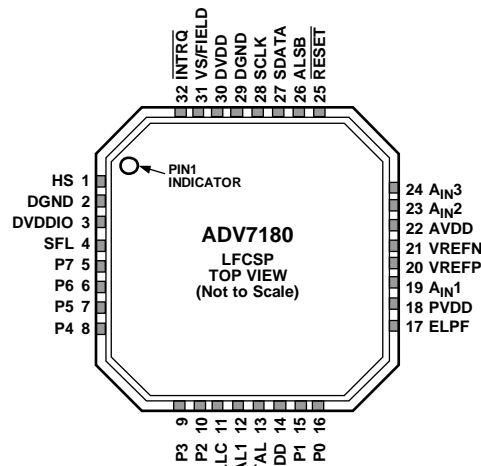
ESD CAUTION



ESD (electrostatic discharge) sensitive device. Charged devices and circuit boards can discharge without detection. Although this product features patented or proprietary protection circuitry, damage may occur on devices subjected to high energy ESD. Therefore, proper ESD precautions should be taken to avoid performance degradation or loss of functionality.

PIN CONFIGURATIONS AND FUNCTION DESCRIPTIONS

32-LEAD LFCSP



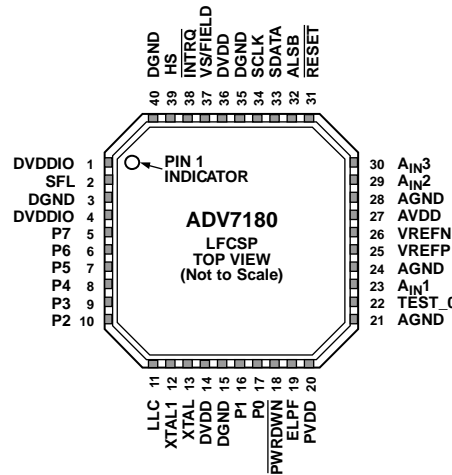
NOTES
1. THE EXPOSEDPAD MUST BE CONNECTED TO GND.

Figure 8. 32-Lead LFCSP Pin Configuration

Table 9. 32-Lead LFCSP Pin Function Descriptions

| Pin No. | Mnemonic | Type | Description |
|-----------------|--------------------------------------|------|--|
| 1 | HS | O | Horizontal Synchronization Output Signal. |
| 2, 29 | DGND | G | Ground for Digital Supply. |
| 3 | DVDDIO | P | Digital I/O Supply Voltage (1.8 V to 3.3 V). |
| 4 | SFL | O | Subcarrier Frequency Lock. This pin contains a serial output stream that can be used to lock the subcarrier frequency when this decoder is connected to any Analog Devices digital video encoder. |
| 5 to 10, 15, 16 | P7 to P2, P1, P0 | O | Video Pixel Output Port. |
| 11 | LLC | O | Line-Locked Output Clock for the Output Pixel Data. Nominally 27 MHz but varies up or down according to video line length. |
| 12 | XTAL1 | O | This pin should be connected to the 28.6363 MHz crystal or not connected if an external 1.8 V, 28.6363 MHz clock oscillator source is used to clock the ADV7180. In crystal mode, the crystal must be a fundamental crystal. |
| 13 | XTAL | I | Input Pin for the 28.6363 MHz Crystal. This pin can be overdriven by an external 1.8 V, 28.6363 MHz clock oscillator source. In crystal mode, the crystal must be a fundamental crystal. |
| 14, 30 | DVDD | P | Digital Supply Voltage (1.8 V). |
| 17 | ELPF | I | The recommended external loop filter must be connected to this ELPF pin, as shown in Figure 58. |
| 18 | PVDD | P | PLL Supply Voltage (1.8 V). |
| 19, 23, 24 | A _{IN1} to A _{IN3} | I | Analog Video Input Channels. |
| 20 | VREFP | O | Internal Voltage Reference Output. See Figure 58 for recommended output circuitry. |
| 21 | VREFN | O | Internal Voltage Reference Output. See Figure 58 for recommended output circuitry. |
| 22 | AVDD | P | Analog Supply Voltage (1.8 V). |
| 25 | RESET | I | System Reset Input. Active low. A minimum low reset pulse width of 5 ms is required to reset the ADV7180 circuitry. |
| 26 | ALSB | I | This pin selects the I ² C address for the ADV7180. For ALSB set to Logic 0, the address selected for a write is 0x40; for ALSB set to Logic 1, the address selected is 0x42. |
| 27 | SDATA | I/O | I ² C Port Serial Data Input/Output Pin. |
| 28 | SCLK | I | I ² C Port Serial Clock Input. The maximum clock rate is 400 kHz. |
| 31 | VS/FIELD | O | Vertical Synchronization Output Signal/Field Synchronization Output Signal. |
| 32 | INTRQ | O | Interrupt Request Output. Interrupt occurs when certain signals are detected on the input video (see Table 108). |
| | EPAD (EP) | | The exposed pad must be connected to GND. |

40-LEAD LFCSP



NOTES
1. THE EXPOSED PAD MUST BE CONNECTED TO GND.

05700-007

Figure 9. 40-Lead LFCSP Pin Configuration

Table 10. 40-Lead LFCSP Pin Function Descriptions

| Pin No. | Mnemonic | Type | Description |
|-----------------|--------------------------------------|------|--|
| 1, 4 | DVDDIO | P | Digital I/O Supply Voltage (1.8 V to 3.3 V). |
| 2 | SFL | O | Subcarrier Frequency Lock. This pin contains a serial output stream that can be used to lock the subcarrier frequency when this decoder is connected to any Analog Devices digital video encoder. |
| 3, 15, 35, 40 | DGND | G | Ground for Digital Supply. |
| 5 to 10, 16, 17 | P7 to P2, P1, P0 | O | Video Pixel Output Port. |
| 11 | LLC | O | Line-Locked Output Clock for the Output Pixel Data. Nominally 27 MHz but varies up or down according to video line length. |
| 12 | XTAL1 | O | This pin should be connected to the 28.6363 MHz crystal or not connected if an external 1.8 V, 28.6363 MHz clock oscillator source is used to clock the ADV7180. In crystal mode, the crystal must be a fundamental crystal. |
| 13 | XTAL | I | Input Pin for the 28.6363 MHz Crystal. This pin can be overdriven by an external 1.8 V, 28.6363 MHz clock oscillator source. In crystal mode, the crystal must be a fundamental crystal. |
| 14, 36 | DVDD | P | Digital Supply Voltage (1.8 V). |
| 18 | PWRDWN | I | A logic low on this pin places the ADV7180 into power-down mode. |
| 19 | ELPF | I | The recommended external loop filter must be connected to this ELPF pin, as shown in Figure 55. |
| 20 | PVDD | P | PLL Supply Voltage (1.8 V). |
| 21, 24, 28 | AGND | G | Ground for Analog Supply. |
| 22 | TEST_0 | I | This pin must be tied to DGND. |
| 23, 29, 30 | A _{IN1} to A _{IN3} | I | Analog Video Input Channels. |
| 25 | VREFP | O | Internal Voltage Reference Output. See Figure 55 for recommended output circuitry. |
| 26 | VREFN | O | Internal Voltage Reference Output. See Figure 55 for recommended output circuitry. |
| 27 | AVDD | P | Analog Supply Voltage (1.8 V). |
| 31 | RESET | I | System Reset Input. Active low. A minimum low reset pulse width of 5 ms is required to reset the ADV7180 circuitry. |
| 32 | ALSB | I | This pin selects the I ² C address for the ADV7180. For ALSB set to Logic 0, the address selected for a write is 0x40; for ALSB set to Logic 1, the address selected is 0x42. |
| 33 | SDATA | I/O | I ² C Port Serial Data Input/Output Pin. |
| 34 | SCLK | I | I ² C Port Serial Clock Input. The maximum clock rate is 400 kHz. |
| 37 | VS/FIELD | O | Vertical Synchronization Output Signal/Field Synchronization Output Signal. |
| 38 | INTRQ | O | Interrupt Request Output. Interrupt occurs when certain signals are detected on the input video (see Table 108). |
| 39 | HS | O | Horizontal Synchronization Output Signal. |
| | EPAD (EP) | | The exposed pad must be connected to GND. |

64-LEAD LQFP

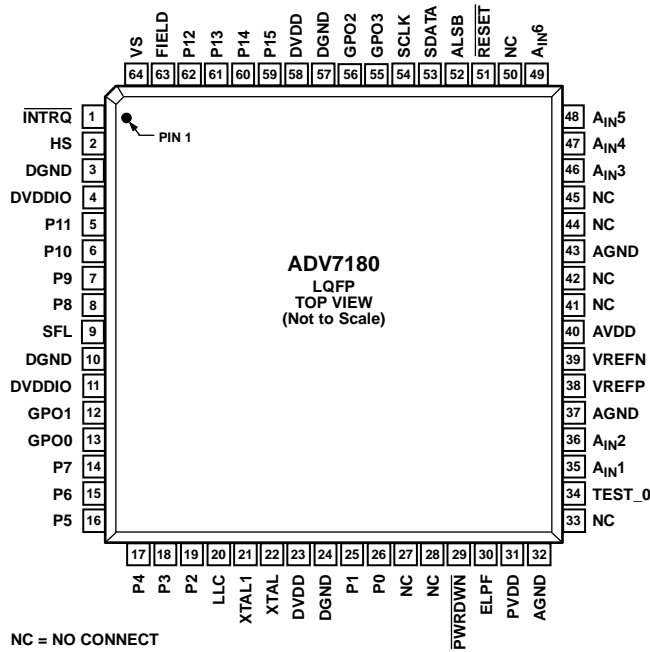


Figure 10. 64-Lead LQFP Pin Configuration

Table 11. 64-Lead LQFP Pin Function Description

| Pin No. | Mnemonic | Type | Description |
|------------------------------------|---|------|---|
| 1 | INTRQ | O | Interrupt Request Output. Interrupt occurs when certain signals are detected on the input video (see Table 108). |
| 2 | HS | O | Horizontal Synchronization Output Signal. |
| 3, 10, 24, 57 | DGND | G | Digital Ground. |
| 4, 11 | DVDDIO | P | Digital I/O Supply Voltage (1.8 V to 3.3 V). |
| 5 to 8, 14 to 19, 25, 26, 59 to 62 | P11 to P8, P7 to P2, P1, P0, P15 to P12 | O | Video Pixel Output Port. See Table 100 for output configuration for 8-bit and 16-bit modes. |
| 9 | SFL | O | Subcarrier Frequency Lock. This pin contains a serial output stream that can be used to lock the subcarrier frequency when this decoder is connected to any Analog Devices digital video encoder. |
| 12, 13, 55, 56 | GPO0 to GPO3 | O | General-Purpose Outputs. These pins can be configured via I ² C to allow control of external devices. |
| 20 | LLC | O | This is a line-locked output clock for the pixel data output by the ADV7180. It is nominally 27 MHz but varies up or down according to video line length. |
| 21 | XTAL1 | O | This pin should be connected to the 28.6363 MHz crystal or left as a no connect if an external 1.8 V, 28.6363 MHz clock oscillator source is used to clock the ADV7180. In crystal mode, the crystal must be a fundamental crystal. |
| 22 | XTAL | I | This is the input pin for the 28.6363 MHz crystal, or this pin can be overdriven by an external 1.8 V, 28.6363 MHz clock oscillator source. In crystal mode, the crystal must be a fundamental crystal. |
| 23, 58 | DVDD | P | Digital Supply Voltage (1.8 V). |
| 27, 28, 33, 41, 42, 44, 45, 50 | NC | | No Connect. These pins are not connected internally. |
| 29 | PWRDWN | I | A logic low on this pin places the ADV7180 in power-down mode. |
| 30 | ELPF | I | The recommended external loop filter must be connected to the ELPF pin, as shown in Figure 56. |
| 31 | PVDD | P | PLL Supply Voltage (1.8 V). |
| 32, 37, 43 | AGND | G | Analog Ground. |
| 34 | TEST_0 | I | This pin must be tied to DGND. |
| 35, 36, 46 to 49 | A _{IN} 1 to A _{IN} 6 | I | Analog Video Input Channels. |

| Pin No. | Mnemonic | Type | Description |
|---------|----------|------|--|
| 38 | VREFP | O | Internal Voltage Reference Output. See Figure 56 for recommended output circuitry. |
| 39 | VREFN | O | Internal Voltage Reference Output. See Figure 56 for recommended output circuitry. |
| 40 | AVDD | P | Analog Supply Voltage (1.8 V). |
| 51 | RESET | I | System Reset Input. Active low. A minimum low reset pulse width of 5 ms is required to reset the ADV7180 circuitry. |
| 52 | ALSB | I | This pin selects the I ² C address for the ADV7180. For ALSB set to Logic 0, the address selected for a write is 0x40; for ALSB set to Logic 1, the address selected is 0x42. |
| 53 | SDATA | I/O | I ² C Port Serial Data Input/Output Pin. |
| 54 | SCLK | I | I ² C Port Serial Clock Input. The maximum clock rate is 400 kHz. |
| 63 | FIELD | O | Field Synchronization Output Signal. |
| 64 | VS | O | Vertical Synchronization Output Signal. |

48-LEAD LQFP

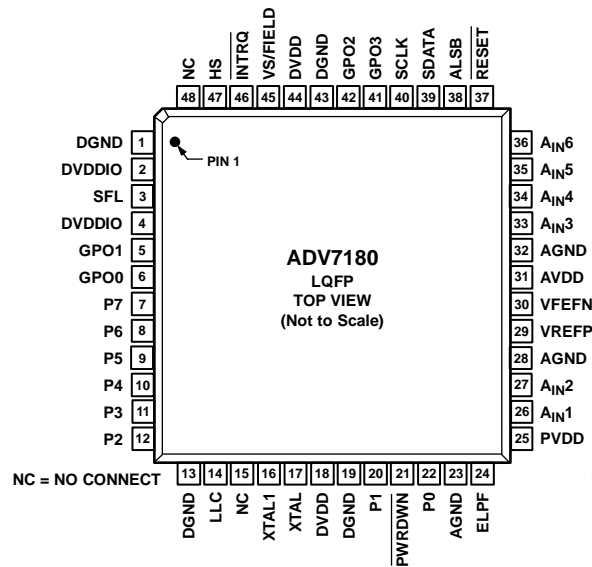


Figure 11. 48-Lead LQFP Pin Configuration

Table 12. 48-Lead LQFP Pin Function Descriptions

| Pin No. | Mnemonic | Type | Description |
|------------------|--------------------------------------|------|---|
| 1, 13, 19, 43 | DGND | G | Digital Ground. |
| 2, 4 | DVDDIO | P | Digital I/O Supply Voltage (1.8V to 3.3 V). |
| 3 | SFL | O | Subcarrier Frequency Lock. This pin contains a serial output stream that can be used to lock the subcarrier frequency when this decoder is connected to any Analog Devices digital video encoder. |
| 5, 6, 41, 42 | GPO0 to GPO3 | O | General-Purpose Outputs. These pins can be configured via I ² C to allow control of external devices. |
| 7 to 12, 20, 22 | P7 to P2, P1, P0 | O | Video Pixel Output Port. See Table 100 for output configuration for 8-bit and 16-bit modes. |
| 14 | LLC | O | This is a line-locked output clock for the pixel data output by the ADV7180. It is nominally 27 MHz but varies up or down according to video line length. |
| 15, 48 | NC | | No Connect Pins. These pins are not connected internally. |
| 16 | XTAL1 | O | This pin should be connected to the 28.6363 MHz crystal or left as a no connect if an external 1.8 V, 28.6363 MHz clock oscillator source is used to clock the ADV7180. In crystal mode, the crystal must be a fundamental crystal. |
| 17 | XTAL | I | This is the input pin for the 28.6363 MHz crystal, or this pin can be overdriven by an external 1.8V, 28.6363 MHz clock oscillator source. In crystal mode, the crystal must be a fundamental crystal. |
| 18, 44 | DVDD | P | Digital Supply Voltage (1.8 V). |
| 21 | PWRDWN | I | A logic low on this pin places the ADV7180 in power-down mode. |
| 23, 28, 32 | AGND | G | Analog Ground. |
| 24 | ELPF | I | The recommended external loop filter must be connected to the ELPF pin, as shown in Figure 57. |
| 25 | PVDD | P | PLL Supply Voltage (1.8 V). |
| 26, 27, 33 to 36 | A _{IN1} to A _{IN6} | I | Analog Video Input Channels. |
| 29 | VREFP | O | Internal Voltage Reference Output. See Figure 57 for recommended output circuitry. |
| 30 | VREFN | O | Internal Voltage Reference Output. See Figure 57 for recommended output circuitry. |
| 31 | AVDD | P | Analog Supply Voltage (1.8 V). |
| 37 | RESET | I | System Reset Input. Active low. A minimum low reset pulse width of 5 ms is required to reset the ADV7180 circuitry. |
| 38 | ALSB | I | This pin selects the I ² C address for the ADV7180. For ALSB set to Logic 0, the address selected for a write is 0x40; for ALSB set to Logic 1, the address selected is 0x42. |
| 39 | SDATA | I/O | I ² C Port Serial Data Input/Output Pin. |
| 40 | SCLK | I | I ² C Port Serial Clock Input. The maximum clock rate is 400 kHz. |
| 45 | VS/FIELD | O | Vertical Synchronization Output Signal/Field Synchronization Output Signal. |
| 46 | INTRQ | O | Interrupt Request Output. Interrupt occurs when certain signals are detected on the input video (see Table 108). |
| 47 | HS | O | Horizontal Synchronization Output Signal. |

ANALOG FRONT END

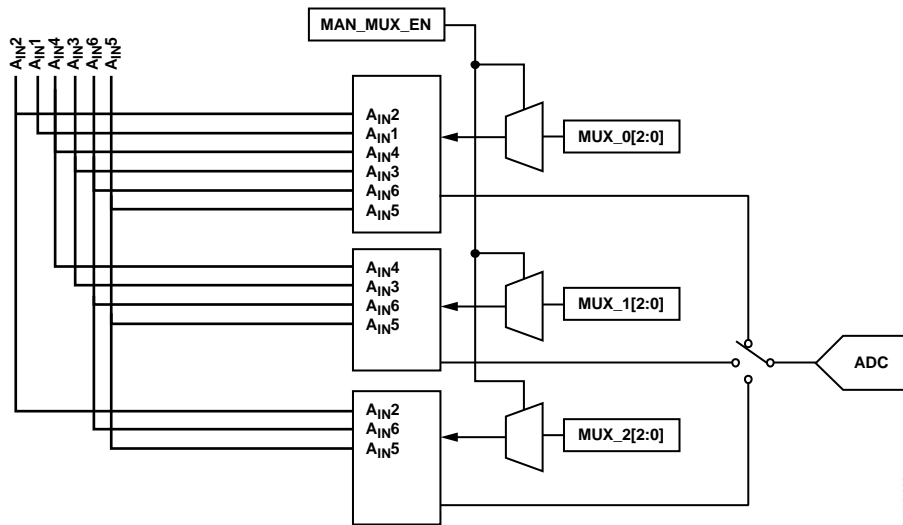


Figure 12. 64-Lead and 48-Lead LQFP Internal Pin Connections

05700-009

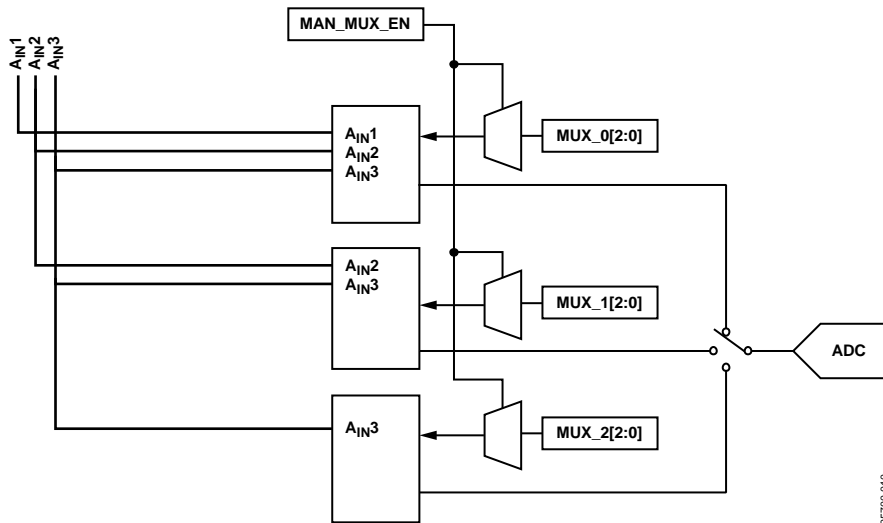


Figure 13. 40-Lead and 32-Lead LFCSP Internal Pin Connections

05700-010

INPUT CONFIGURATION

The following are the two key steps for configuring the ADV7180 to correctly decode the input video:

1. Use INSEL[3:0] to configure the routing and format decoding (CVBS, Y/C, or YPrPb). For the 64-lead and 48-lead LQFP, see Table 13. For the 40-lead and 32-lead LFCSP, see Table 14.
2. If the input requirements are not met using the INSEL[3:0] options, the analog input muxing section must be configured manually to correctly route the video from the analog input pins to the ADC. The standard definition processor block, which decodes the digital data, should be configured to process the CVBS, Y/C, or YPrPb format. This is performed by INSEL[3:0] selection.

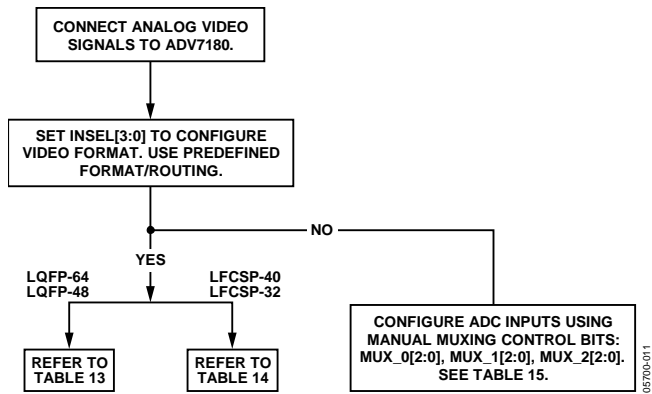


Figure 14. Signal Routing Options

INSEL[3:0], Input Selection, Address 0x00[3:0]

The INSEL bits allow the user to select the input format. They also configure the standard definition processor core to process composite (CVBS), S-Video (Y/C), or component (YPrPb) format.

INSEL[3:0] has predefined analog input routing schemes that do not require manual mux programming (see Table 13 and Table 14). This allows the user to route the various video signal types to the decoder and select them using INSEL[3:0] only. The added benefit is that if, for example, the CVBS input is selected, the remaining channels are powered down.

Table 13. 64-Lead and 48-Lead LQFP INSEL[3:0]

| INSEL[3:0] | Video Format | Analog Input |
|--------------|---------------|---|
| 0000 | Composite | CVBS input on A _{IN1} |
| 0001 | Composite | CVBS input on A _{IN2} |
| 0010 | Composite | CVBS input on A _{IN3} |
| 0011 | Composite | CVBS input on A _{IN4} |
| 0100 | Composite | CVBS input on A _{IN5} |
| 0101 | Composite | CVBS input on A _{IN6} |
| 0110 | Y/C (S-Video) | Y input on A _{IN1} C input on A _{IN4} |
| 0111 | Y/C (S-Video) | Y input on A _{IN2} C input on A _{IN5} |
| 1000 | Y/C (S-Video) | Y input on A _{IN3} C input on A _{IN6} |
| 1001 | YPrPb | Y input on A _{IN1} Pb input on A _{IN4} Pr input on A _{IN5} |
| 1010 | YPrPb | Y input on A _{IN2} Pr input on A _{IN6} Pb input on A _{IN3} |
| 1011 to 1111 | Reserved | Reserved |

Table 14. 40-Lead and 32-Lead LFCSP INSEL[3:0]

| INSEL[3:0] | Video Format | Analog Input |
|--------------|---------------|---|
| 0000 | Composite | CVBS input on A _{IN1} |
| 0001 to 0010 | Reserved | Reserved |
| 0011 | Composite | CVBS input on A _{IN2} |
| 0100 | Composite | CVBS input on A _{IN3} |
| 0101 | Reserved | Reserved |
| 0110 | Y/C (S-Video) | Y input on A _{IN1} C input on A _{IN2} |
| 0111 to 1000 | Reserved | Reserved |
| 1001 | YPrPb | Y input on A _{IN1} Pr input on A _{IN3} Pb input on A _{IN2} |
| 1010 to 1111 | Reserved | Reserved |

POWER-ON RESET

After power-up, it is necessary to execute a reset operation. For correct operation, **RESET** should remain asserted/pulled low for 5 ms after power supplies are stable and within specification and **PWRDWN** (not available in 32-lead LFCSP) is deasserted/pulled high.

ANALOG INPUT MUXING

The ADV7180 has an integrated analog muxing section that allows more than one source of video signal to be connected to the decoder. Figure 12 and Figure 13 outline the overall structure of the input muxing provided in the ADV7180.

A maximum of six CVBS inputs can be connected to and decoded by the 64-lead and 48-lead devices, and a maximum of three CVBS inputs can be connected to and decoded by the 40-lead and 32-lead LFCSP devices. As shown in the Pin Configurations and Function Description section, these analog input pins lie in close proximity to one another, which requires careful design of the printed circuit board (PCB) layout. For example, ground shielding between all signals should be routed through tracks that are physically close together. It is strongly recommended to connect any unused analog input pins to AGND to act as a shield.

MAN_MUX_EN, Manual Input Muxing Enable, Address 0xC4[7]

To configure the ADV7180 analog muxing section, the user must select the analog input (A_{IN1} to A_{IN6} for the 64-lead LQFP and 48-lead devices or A_{IN1} to A_{IN3} for the 40-lead and 32-lead LFCSP devices) that is to be processed by the ADC. **MAN_MUX_EN** must be set to 1 to enable the following muxing blocks:

- MUX0[2:0], ADC Mux Configuration, Address 0xC3[2:0]
- MUX1[2:0], ADC Mux Configuration, Address 0xC3[6:4]
- MUX2[2:0], ADC Mux Configuration, Address 0xC4[2:0]

The three mux sections are controlled by the signal buses MUX0/MUX1/MUX2[2:0]. Table 15 explains the control words used.

The input signal that contains the timing information (HS and VS) must be processed by MUX0. For example, in a Y/C input configuration, MUX0 should be connected to the Y channel and MUX1 to the C channel. When one or more muxes are not used to process video, such as the CVBS input, the idle mux and associated channel clamps and buffers should be powered down (see the description of Register 0x3A in Table 107).

Table 15. Manual Mux Settings for the ADC (**MAN_MUX_EN** Must be Set to 1)

| MUX0[2:0] | ADC Connected To | | MUX1[2:0] | ADC Connected To | | MUX2[2:0] | ADC Connected To | |
|-----------|--------------------|----------------------|-----------|--------------------|----------------------|-----------|--------------------|----------------------|
| | LQFP-64 or LQFP-48 | LFCSP-40 or LFCSP-32 | | LQFP-64 or LQFP-48 | LFCSP-40 or LFCSP-32 | | LQFP-64 or LQFP-48 | LFCSP-40 or LFCSP-32 |
| 000 | No connect | No connect | 000 | No connect | No connect | 000 | No connect | No connect |
| 001 | A_{IN1} | A_{IN1} | 001 | No connect | No connect | 001 | No connect | No connect |
| 010 | A_{IN2} | No connect | 010 | No connect | No connect | 010 | A_{IN2} | No connect |
| 011 | A_{IN3} | No connect | 011 | A_{IN3} | No connect | 011 | No connect | No connect |
| 100 | A_{IN4} | A_{IN2} | 100 | A_{IN4} | A_{IN2} | 100 | No connect | No connect |
| 101 | A_{IN5} | A_{IN3} | 101 | A_{IN5} | A_{IN3} | 101 | A_{IN5} | A_{IN3} |
| 110 | A_{IN6} | No connect | 110 | A_{IN6} | No connect | 110 | A_{IN6} | No connect |
| 111 | No connect | No connect | 111 | No connect | No connect | 111 | No connect | No connect |

Note the following:

- CVBS can only be processed by MUX0.
- Y/C can only be processed by MUX0 and MUX1.
- YPrPb can only be processed by MUX0, MUX1, and MUX2.

ANTI_ALIASING FILTERS

The ADV7180 has optional on-chip antialiasing (AA) filters on each of the three channels that are multiplexed to the ADC (see Figure 15). The filters are designed for standard definition video up to 10 MHz bandwidth. Figure 16 and Figure 17 show the filter magnitude and phase characteristics.

The antialiasing filters are enabled by default and the selection of INSEL[3:0] determines which filters are powered up at any given time. For example, if CVBS mode is selected, the filter circuits for the remaining input channels are powered down to conserve power. However, the antialiasing filters can be disabled or bypassed using the AA_FILT_MAN_OVR control.

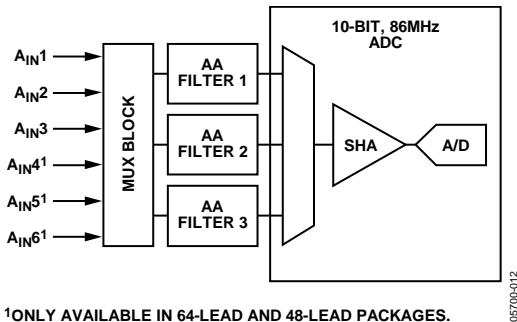


Figure 15. Antialias Filter Configuration

AA_FILT_MAN_OVR, Antialiasing Filter Override, Address 0xF3[3]

This feature allows the user to override the antialiasing filters on/off settings, which are automatically selected by INSEL[3:0].

AA_FILT_EN, Antialiasing Filter Enable, Address 0xF3[2:0]

These bits allow the user to enable or disable the antialiasing filters on each of the three input channels multiplexed to the ADC. When disabled, the analog signal bypasses the AA filter and is routed directly to the ADC.

AA_FILT_EN, Address 0xF3[0]

When AA_FILT_EN[0] is 0, AA Filter 1 is bypassed.

When AA_FILT_EN[0] is 1, AA Filter 1 is enabled.

AA_FILT_EN, Address 0xF3[1]

When AA_FILT_EN[1] is 0, AA Filter 2 is bypassed.

When AA_FILT_EN[1] is 1, AA Filter 2 is enabled.

AA_FILT_EN, Address 0xF3[2]

When AA_FILT_EN[2] is 0, AA Filter 3 is bypassed.

When AA_FILT_EN[2] is 1, AA Filter 3 is enabled.

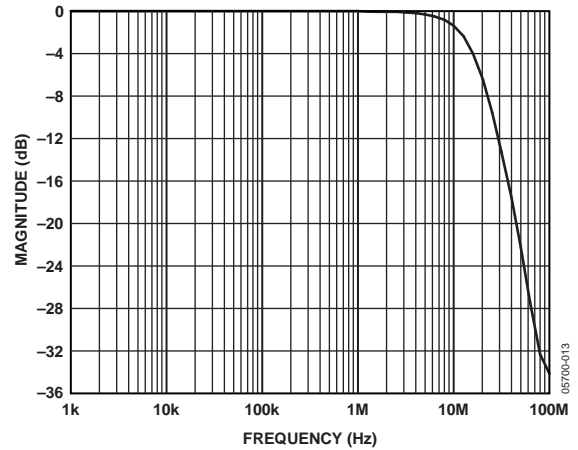


Figure 16. Antialiasing Filter Magnitude Response

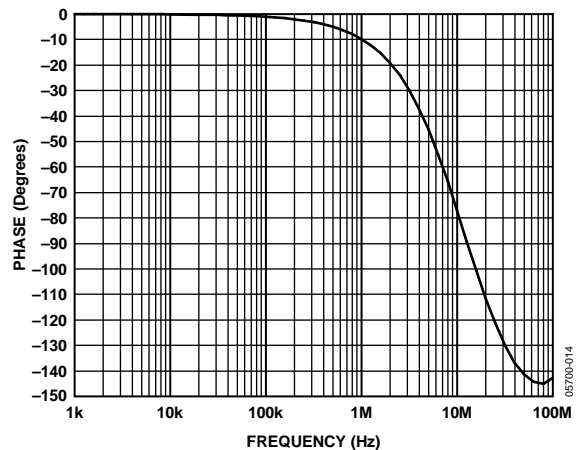


Figure 17. Antialiasing Filter Phase Response

GLOBAL CONTROL REGISTERS

Register control bits listed in this section affect the whole chip.

POWER-SAVING MODES

Power-Down

PDBP, Address 0x0F[2]

The digital supply of the ADV7180 can be shut down by using the $\overline{\text{PWRDWN}}$ pin or via I²C¹ (see the PWRDWN, Address 0x0F[5] section). PDBP controls whether the I²C control or the pin has the higher priority. The default is to give the pin ($\overline{\text{PWRDWN}}$) priority². This allows the user to have the ADV7180 powered down by default at power-up without the need for an I²C write.

When PDBP is 0 (default), the digital supply power is controlled by the $\overline{\text{PWRDWN}}$ pin² (the PWRDWN bit, 0x0F[5], is disregarded).

When PDBP is 1, the PWRDWN bit has priority (the pin is disregarded).

PWRDWN, Address 0x0F[5]

When PDBP is set to 1, setting the PWRDWN bit switches the ADV7180 to a chip-wide power-down mode. The power-down stops the clock from entering the digital section of the chip, thereby freezing its operation. No I²C bits are lost during power-down. The PWRDWN bit also affects the analog blocks and switches them into low current modes. The I²C interface is unaffected and remains operational in power-down mode.

The ADV7180 leaves the power-down state if the $\overline{\text{PWRDWN}}$ bit is set to 0 (via I²C) or if the ADV7180 is reset using the $\overline{\text{RESET}}$ pin.

PDBP must be set to 1 for the PWRDWN bit to power down the ADV7180.

When PWRDWN is 0 (default), the chip is operational. When PWRDWN is 1, the ADV7180 is in a chip-wide power-down mode.

RESET CONTROL

Reset, Chip Reset, Address 0x0F[7]

Setting this bit, which is equivalent to controlling the $\overline{\text{RESET}}$ pin on the ADV7180, issues a full chip reset. All I²C registers are reset to their default/power-up values. Note that some register bits do not have a reset value specified. They keep their last written value. Those bits are marked as having a reset value of x in the register tables (see Table 107 and Table 108). After the reset sequence, the part immediately starts to acquire the incoming video signal.

¹ For 32-lead, I²C is the only power-down option.

² For 64-lead, 48-lead, and 40-lead only.

After setting the reset bit (or initiating a reset via the $\overline{\text{RESET}}$ pin), the part returns to the default for its primary mode of operation. All I²C bits are loaded with their default values, making this bit self-clearing.

Executing a software reset takes approximately 2 ms. However, it is recommended to wait 5 ms before any further I²C writes are performed.

The I²C master controller receives a no acknowledge condition on the ninth clock cycle when chip reset is implemented (see the MPU Port Description section).

When the reset bit is 0 (default), operation is normal.

When the reset bit is 1, the reset sequence starts.

GLOBAL PIN CONTROL

Three-State Output Drivers

TOD, Address 0x03[6]

This bit allows the user to three-state the output drivers of the ADV7180.

Upon setting the TOD bit, the P15 to P0 (P7 to P0 for the 48-lead, 40-lead, and 32-lead devices), HS, VS, FIELD (VS/FIELD pin for the 48-lead, 40-lead, and 32-lead LFCSP), and SFL pins are three-stated.

The timing pins (HS, VS, FIELD) can be forced active via the TIM_OE bit. For more information on three-state control, see the Three-State LLC Driver and the Timing Signals Output Enable sections.

Individual drive strength controls are provided via the DR_STR_x bits.

When TOD is 0 (default), the output drivers are enabled.

When TOD is 1, the output drivers are three-stated.

Three-State LLC Driver

TRI_LLC, Address 0x1D[7]

This bit allows the output drivers for the LLC pin of the ADV7180 to be three-stated. For more information on three-state control, refer to the Three-State Output Drivers and the Timing Signals Output Enable sections.

Individual drive strength controls are provided via the DR_STR_x bits.

When TRI_LLC is 0 (default), the LLC pin drivers work according to the DR_STR_C[1:0] setting (pin enabled).

When TRI_LLC is 1, the LLC pin drivers are three-stated.

Timing Signals Output Enable**TIM_OE, Address 0x04[3]**

The TIM_OE bit should be regarded as an addition to the TOD bit. Setting it high forces the output drivers for HS, VS, and FIELD into the active state (that is, driving state) even if the TOD bit is set. If TIM_OE is set to low, the HS, VS, and FIELD pins are three-stated depending on the TOD bit. This functionality is beneficial if the decoder is only used as a timing generator. This may be the case if only the timing signals are extracted from an incoming signal or if the part is in free-run mode, where a separate chip can output a company logo, for example.

For more information on three-state control, see the Three-State Output Drivers section and the Three-State LLC Driver section.

Individual drive strength controls are provided via the DR_STR_x bits.

When TIM_OE is 0 (default), HS, VS, and FIELD are three-stated according to the TOD bit.

When TIM_OE is 1, HS, VS, and FIELD are forced active all the time.

Drive Strength Selection (Data)**DR_STR[1:0], Address 0xF4[5:4]**

For EMC and crosstalk reasons, it may be desirable to strengthen or weaken the drive strength of the output drivers. The DR_STR[1:0] bits affect the P[15:0] for the 64-lead device or P[7:0] for the 48-lead, 40-lead, and 32-lead devices output drivers.

For more information on three-state control, see the Drive Strength Selection (Clock) and the Drive Strength Selection (Sync) sections.

Table 16. DR_STR Function

| DR_STR[1:0] | Description |
|--------------|---------------------------------|
| 00 | Low drive strength (1×) |
| 01 (default) | Medium low drive strength (2×) |
| 10 | Medium high drive strength (3×) |
| 11 | High drive strength (4×) |

Drive Strength Selection (Clock)**DR_STR_C[1:0], Address 0xF4[3:2]**

The DR_STR_C[1:0] bits can be used to select the strength of the clock signal output driver (LLC pin). For more information, see the Drive Strength Selection (Sync) and the Drive Strength Selection (Data) sections.

Table 17. DR_STR_C Function

| DR_STR_C[1:0] | Description |
|---------------|---------------------------------|
| 00 | Low drive strength (1×) |
| 01 (default) | Medium low drive strength (2×) |
| 10 | Medium high drive strength (3×) |
| 11 | High drive strength (4×) |

Drive Strength Selection (Sync)**DR_STR_S[1:0], Address 0xF4[1:0]**

The DR_STR_S[1:0] bits allow the user to select the strength of the synchronization signals with which HS, VS, and FIELD are driven. For more information, see the Drive Strength Selection (Data) section.

Table 18. DR_STR_S Function

| DR_STR_S[1:0] | Description |
|---------------|---------------------------------|
| 00 | Low drive strength (1×) |
| 01 (default) | Medium low drive strength (2×) |
| 10 | Medium high drive strength (3×) |
| 11 | High drive strength (4×) |

Enable Subcarrier Frequency Lock Pin**EN_SFL_PIN, Address 0x04[1]**

The EN_SFL_PIN bit enables the output of subcarrier lock information (also known as genlock) from the ADV7180 core to an encoder in a decoder/encoder back-to-back arrangement.

When EN_SFL_PIN is 0 (default), the subcarrier frequency lock output is disabled.

When EN_SFL_PIN is 1, the subcarrier frequency lock information is presented on the SFL pin.

Polarity LLC Pin**PCLK, Address 0x37[0]**

The polarity of the clock that leaves the ADV7180 via the LLC pin can be inverted using the PCLK bit.

Changing the polarity of the LLC clock output may be necessary to meet the setup-and-hold time expectations of follow-on chips.

When PCLK is 0, the LLC output polarity is inverted.

When PCLK is 1 (default), the LLC output polarity is normal (see the Timing Specifications section).

GLOBAL STATUS REGISTER

Four registers provide summary information about the video decoder. The IDENT register allows the user to identify the revision code of the ADV7180. The other three registers (0x10, 0x12, and 0x13) contain status bits from the ADV7180.

IDENTIFICATION

IDENT[7:0], Address 0x11[7:0]

This is the register identification of the ADV7180's revision. Table 19 describes the various versions of the ADV7180.

Table 19. IDENT CODE

| IDENT[7:0] | Description |
|-------------------|----------------------------------|
| 0x1B ¹ | Initial release silicon |
| 0x1C ¹ | Improved ESD and PDC fix |
| 0x1E | 48-lead and 32-lead devices only |

¹ 64-lead and 40-lead models only.

STATUS 1

Status 1[7:0], Address 0x10[7:0]

This read-only register provides information about the internal status of the ADV7180.

See the CIL[2:0], Count Into Lock, Address 0x51[2:0] section and the COL[2:0], Count Out of Lock, Address 0x51[5:3] section for details on timing.

Depending on the setting of the FSCLE bit, the Status Register 0 and Status Register 1 are based solely on horizontal timing information or on the horizontal timing and lock status of the color subcarrier. See the FSCLE, fSC Lock Enable, Address 0x51[7] section.

AUTODETECTION RESULT

AD_RESULT[2:0], Address 0x10[6:4]

The AD_RESULT[2:0] bits report back on the findings from the ADV7180 autodetection block. See the General Setup section for more information on enabling the autodetection block and the Autodetection of SD Modes section for more information on how to configure it.

Table 20. AD_RESULT Function

| AD_RESULT[2:0] | Description |
|----------------|-------------------|
| 000 | NTSC M/J |
| 001 | NTSC 4.43 |
| 010 | PAL M |
| 011 | PAL 60 |
| 100 | PAL B/G/H/I/D |
| 101 | SECAM |
| 110 | PAL Combination N |
| 111 | SECAM 525 |

Table 21. Status 1 Function

| Status 1[7:0] | Bit Name | Description |
|---------------|--------------|--|
| 0 | IN_LOCK | In lock (now) |
| 1 | LOST_LOCK | Lost lock (since last read of this register) |
| 2 | FSC_LOCK | f _{SC} locked (now) |
| 3 | FOLLOW_PW | AGC follows peak white algorithm |
| 4 | AD_RESULT[0] | Result of autodetection |
| 5 | AD_RESULT[1] | Result of autodetection |
| 6 | AD_RESULT[2] | Result of autodetection |
| 7 | COL_KILL | Color kill active |

STATUS 2

Status 2[7:0], Address 0x12[7:0]

Table 22. Status 2 Function

| Status 2[7:0] | Bit Name | Description |
|---------------|------------|--|
| 0 | MVCS DET | Detected Macrovision color striping |
| 1 | MVCS T3 | Macrovision color striping protection; conforms to Type 3 if high, Type 2 if low |
| 2 | MV PS DET | Detected Macrovision pseudo-sync pulses |
| 3 | MV AGC DET | Detected Macrovision AGC pulses |
| 4 | LL NSTD | Line length is nonstandard |
| 5 | FSC NSTD | f _{SC} frequency is nonstandard |
| 6 | Reserved | |
| 7 | Reserved | |

STATUS 3

Status 3[7:0], Address 0x13[7:0]

Table 23. Status 3 Function

| Status 3[7:0] | Bit Name | Description |
|---------------|--------------|---|
| 0 | INST_HLOCK | Horizontal lock indicator (instantaneous) |
| 1 | GEMD | Gemstar detect |
| 2 | SD_OP_50Hz | Flags whether 50 Hz or 60 Hz is present at output |
| 3 | Reserved | Reserved for future use |
| 4 | FREE_RUN_ACT | ADV7180 outputs a blue screen (see the DEF_VAL_EN, Default Value Enable, Address 0x0C[0] section) |
| 5 | STD FLD LEN | Field length is correct for currently selected video standard |
| 6 | Interlaced | Interlaced video detected (field sequence found) |
| 7 | PAL_SW_LOCK | Reliable sequence of swinging bursts detected |

VIDEO PROCESSOR

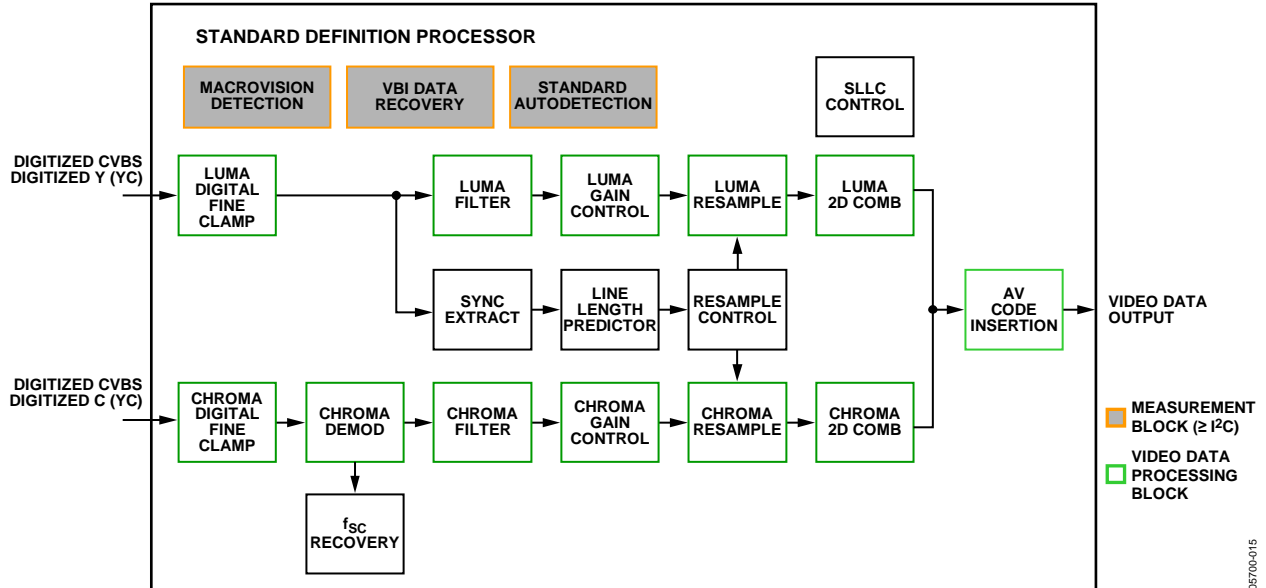


Figure 18. Block Diagram of the Video Processor

Figure 18 shows a block diagram of the ADV7180 video processor. The ADV7180 can handle standard definition video in CVBS, Y/C, and YPrPb formats. It can be divided into a luminance and chrominance path. If the input video is of a composite type (CVBS), both processing paths are fed with the CVBS input.

SD LUMA PATH

The input signal is processed by the following blocks:

- Luma digital fine clamp. This block uses a high precision algorithm to clamp the video signal.
- Luma filter. This block contains a luma decimation filter (YAA) with a fixed response and some shaping filters (YSH) that have selectable responses.
- Luma gain control. The automatic gain control (AGC) can operate on a variety of different modes, including gain based on the depth of the horizontal sync pulse, peak white mode, and fixed manual gain.
- Luma resample. To correct for line length errors as well as dynamic line length changes, the data is digitally resampled.
- Luma 2D comb. The 2D comb filter provides Y/C separation.
- AV code insertion. At this point, the decoded luma (Y) signal is merged with the retrieved chroma values. AV codes can be inserted (as per ITU-R BT.656).

SD CHROMA PATH

The input signal is processed by the following blocks:

- Chroma digital fine clamp. This block uses a high precision algorithm to clamp the video signal.
- Chroma demodulation. This block employs a color subcarrier (f_{sc}) recovery unit to regenerate the color subcarrier for any modulated chroma scheme. The demodulation block then performs an AM demodulation for PAL and NTSC, and an FM demodulation for SECAM.
- Chroma filter. This block contains a chroma decimation filter (CAA) with a fixed response and some shaping filters (CSH) that have selectable responses.
- Chroma gain control. AGC can operate on several different modes, including gain based on the color subcarrier amplitude, gain based on the depth of the horizontal sync pulse on the luma channel, or fixed manual gain.
- Chroma resample. The chroma data is digitally resampled to keep it perfectly aligned with the luma data. The resampling is done to correct for static and dynamic line length errors of the incoming video signal.
- Chroma 2D comb. The 2D, five line, superadaptive comb filter provides high quality Y/C separation in case the input signal is CVBS.
- AV code insertion. At this point, the demodulated chroma (Cr and Cb) signal is merged with the retrieved luma values. AV codes can be inserted (as per ITU-R BT.656).

SYNC PROCESSING

The ADV7180 extracts syncs embedded in the analog input video signal. There is currently no support for external HS/VS inputs. The sync extraction is optimized to support imperfect video sources, such as VCRs with head switches. The actual algorithm used employs a coarse detection based on a threshold crossing, followed by a more detailed detection using an adaptive interpolation algorithm. The raw sync information is sent to a line length measurement and prediction block. The output of this is then used to drive the digital resampling section to ensure that the ADV7180 outputs 720 active pixels per line.

The sync processing on the ADV7180 also includes the following specialized postprocessing blocks that filter and condition the raw sync information retrieved from the digitized analog video:

- VSYNC processor. This block provides extra filtering of the detected VSYNCS to improve vertical lock.
- HSYNC processor. The HSYNC processor is designed to filter incoming HSYNCS that have been corrupted by noise, providing much improved performance for video signals with a stable time base but poor SNR.

VBI DATA RECOVERY

The ADV7180 can retrieve the following information from the input video:

- Wide screen signaling (WSS)
- Copy generation management system (CGMS)
- Closed captioning (CCAP)
- Macrovision protection presence
- EDTV data
- Gemstar-compatible data slicing
- Teletext
- VITC/VPS

The ADV7180 is also capable of automatically detecting the incoming video standard with respect to

- Color subcarrier frequency
- Field rate
- Line rate

The ADV7180 can configure itself to support PAL B/D/I/G/H, PAL M, PAL N, PAL Combination N, NTSC M, NTSC J, SECAM 50 Hz/60 Hz, NTSC 4.43, and PAL 60.

GENERAL SETUP

Video Standard Selection

The VID_SEL[3:0] bits (Address 0x00[7:4]) allow the user to force the digital core into a specific video standard. Under normal circumstances, this is not necessary. The VID_SEL[3:0] bits default to an autodetection mode that supports PAL, NTSC, SECAM, and variants thereof.

Autodetection of SD Modes

To guide the autodetect system of the ADV7180, individual enable bits are provided for each of the supported video standards. Setting the relevant bit to 0 inhibits the standard from being detected automatically. Instead, the system chooses the closest of the remaining enabled standards. The results of the autodetection block can be read back via the status registers (see the Global Status Register section for more information).

VID_SEL[3:0], Address 0x00[7:4]

Table 24. VID_SEL Function

| VID_SEL[3:0] | Description |
|----------------|--|
| 0000 (default) | Autodetect (PAL B/G/H/I/D), NTSC J (no pedestal), SECAM |
| 0001 | Autodetect (PAL B/G/H/I/D), NTSC M (pedestal), SECAM |
| 0010 | Autodetect (PAL N) (pedestal), NTSC J (no pedestal), SECAM |
| 0011 | Autodetect (PAL N) (pedestal), NTSC M (pedestal), SECAM |
| 0100 | NTSC J |
| 0101 | NTSC M |
| 0110 | PAL 60 |
| 0111 | NTSC 4.43 |
| 1000 | PAL B/G/H/I/D |
| 1001 | PAL N = PAL B/G/H/I/D (with pedestal) |
| 1010 | PAL M (without pedestal) |
| 1011 | PAL M |
| 1100 | PAL Combination N |
| 1101 | PAL Combination N (with pedestal) |
| 1110 | SECAM |
| 1111 | SECAM (with pedestal) |

AD_SEC525_EN, Enable Autodetection of SECAM 525 Line Video, Address 0x07[7]

Setting AD_SEC525_EN to 0 (default) disables the autodetection of a 525-line system with a SECAM style, FM-modulated color component.

Setting AD_SEC525_EN to 1 enables the detection of a SECAM style, FM-modulated color component.

**AD_SECAM_EN, Enable Autodetection of SECAM,
Address 0x07[6]**

Setting AD_SECAM_EN to 0 (default) disables the autodetection of SECAM.

Setting AD_SECAM_EN to 1 enables the detection of SECAM.

**AD_N443_EN, Enable Autodetection of NTSC 4.43,
Address 0x07[5]**

Setting AD_N443_EN to 0 disables the autodetection of NTSC style systems with a 4.43 MHz color subcarrier.

Setting AD_N443_EN to 1 (default) enables the detection of NTSC style systems with a 4.43 MHz color subcarrier.

**AD_P60_EN, Enable Autodetection of PAL 60,
Address 0x07[4]**

Setting AD_P60_EN to 0 disables the autodetection of PAL systems with a 60 Hz field rate.

Setting AD_P60_EN to 1 (default) enables the detection of PAL systems with a 60 Hz field rate.

**AD_PALN_EN, Enable Autodetection of PAL N,
Address 0x07[3]**

Setting AD_PALN_EN to 0 (default) disables the detection of the PAL N standard.

Setting AD_PALN_EN to 1 enables the detection of the PAL N standard.

**AD_PALM_EN, Enable Autodetection of PAL M,
Address 0x07[2]**

Setting AD_PALM_EN to 0 (default) disables the autodetection of PAL M.

Setting AD_PALM_EN to 1 enables the detection of PAL M.

**AD_NTSC_EN, Enable Autodetection of NTSC,
Address 0x07[1]**

Setting AD_NTSC_EN to 0 (default) disables the detection of standard NTSC.

Setting AD_NTSC_EN to 1 enables the detection of standard NTSC.

**AD_PAL_EN, Enable Autodetection of PAL B/D/I/G/H,
Address 0x07[0]**

Setting AD_PAL_EN to 0 (default) disables the detection of standard PAL.

Setting AD_PAL_EN to 1 enables the detection of standard PAL.

SFL_INV, Subcarrier Frequency Lock Inversion

This bit controls the behavior of the PAL switch bit in the SFL (genlock telegram) data stream. It was implemented to solve some compatibility issues with video encoders. It solves two problems.

First, the PAL switch bit is only meaningful in PAL. Some encoders (including Analog Devices encoders) also look at the state of this bit in NTSC.

Second, there was a design change in Analog Devices encoders from ADV717x to ADV719x. The older versions used the SFL (genlock telegram) bit directly, whereas the newer ones invert the bit prior to using it. The reason for this is that the inversion compensated for the one line delay of an SFL (genlock telegram) transmission.

As a result, for the ADV717x and ADV73xx encoders, the PAL switch bit in the SFL (genlock telegram) must be 0 for NTSC to work. For the [ADV7194](#) video encoder, the PAL switch bit in the SFL must be 1 to work in NTSC. If the state of the PAL switch bit is wrong, a 180° phase shift occurs.

In a decoder/encoder back-to-back system in which SFL is used, this bit must be set up properly for the specific encoder used.

**SFL_INV, Subcarrier Frequency Lock Inversion,
Address 0x41[6]**

Setting SFL_INV to 0 (default) makes the part SFL compatible with the ADV717x and ADV73xx video encoders.

Setting SFL_INV to 1 makes the part SFL compatible with the [ADV7194](#) video encoder.

Lock Related Controls

Lock information is presented to the user through Bits[1:0] of the Status 1 register (see the Status 1[7:0], Address 0x10[7:0] section). Figure 19 outlines the signal flow and the controls available to influence the way the lock status information is generated.

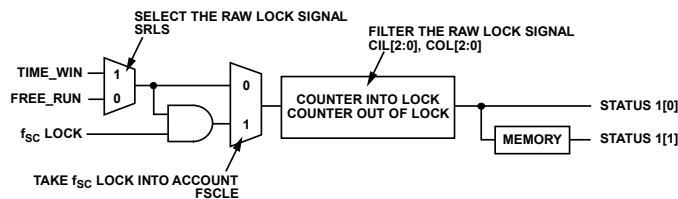


Figure 19. Lock Related Signal Path

SRLS, Select Raw Lock Signal, Address 0x51[6]

Using the SRLS bit, the user can choose between two sources for determining the lock status (per Bits[1:0] in the Status 1 register). See Figure 19.

- The TIME_WIN signal is based on a line-to-line evaluation of the horizontal synchronization pulse of the incoming video. It reacts quite quickly.
- The FREE_RUN signal evaluates the properties of the incoming video over several fields, taking vertical synchronization information into account.

Setting SRLS to 0 (default) selects the FREE_RUN signal.

Setting SRLS to 1 selects the TIME_WIN signal.

FSCLE, f_{sc} Lock Enable, Address 0x51[7]

The FSCLE bit allows the user to choose whether the status of the color subcarrier loop is taken into account when the overall lock status is determined and presented via Bits[1:0] in the Status 1 register. This bit must be set to 0 when operating the ADV7180 in YPrPb component mode to generate a reliable HLOCK status bit.

When FSCLE is set to 0 (default), only the overall lock status is dependent on horizontal sync lock.

When FSCLE is set to 1, the overall lock status is dependent on horizontal sync lock and f_{sc} lock.

CIL[2:0], Count Into Lock, Address 0x51[2:0]

CIL[2:0] determines the number of consecutive lines for which the lock condition must be true before the system switches into the locked state and reports this via Status 1[1:0]. The bit counts the value in lines of video.

Table 25. CIL Function

| CIL[2:0] | Number of Video Lines |
|---------------|-----------------------|
| 000 | 1 |
| 001 | 2 |
| 010 | 5 |
| 011 | 10 |
| 100 (default) | 100 |
| 101 | 500 |
| 110 | 1000 |
| 111 | 100,000 |

COL[2:0], Count Out of Lock, Address 0x51[5:3]

COL[2:0] determines the number of consecutive lines for which the out-of-lock condition must be true before the system switches into the unlocked state and reports this via Status 1[1:0]. It counts the value in lines of video.

Table 26. COL Function

| COL[2:0] | Number of Video Lines |
|---------------|-----------------------|
| 000 | 1 |
| 001 | 2 |
| 010 | 5 |
| 011 | 10 |
| 100 (default) | 100 |
| 101 | 500 |
| 110 | 1000 |
| 111 | 100,000 |

COLOR CONTROLS

These registers allow the user to control picture appearance, including control of the active data in the event of video being lost. These controls are independent of any other controls. For instance, brightness control is independent of picture clamping, although both controls affect the dc level of the signal.

CON[7:0], Contrast Adjust, Address 0x08[7:0]

This register allows the user to control contrast adjustment of the picture.

Table 27. CON Function

| CON[7:0] | Description |
|----------------|--------------------------|
| 0x80 (default) | Gain on luma channel = 1 |
| 0x00 | Gain on luma channel = 0 |
| 0xFF | Gain on luma channel = 2 |

SD_SAT_Cb[7:0], SD Saturation Cb Channel, Address 0xE3[7:0]

This register allows the user to control the gain of the Cb channel only, which in turn adjusts the saturation of the picture.

Table 28. SD_SAT_Cb Function

| SD_SAT_Cb[7:0] | Description |
|----------------|-----------------------------|
| 0x80 (default) | Gain on Cb channel = 0 dB |
| 0x00 | Gain on Cb channel = -42 dB |
| 0xFF | Gain on Cb channel = +6 dB |

SD_SAT_Cr[7:0], SD Saturation Cr Channel, Address 0xE4[7:0]

This register allows the user to control the gain of the Cr channel only, which in turn adjusts the saturation of the picture.

Table 29. SD_SAT_Cr Function

| SD_SAT_Cr[7:0] | Description |
|----------------|-----------------------------|
| 0x80 (default) | Gain on Cr channel = 0 dB |
| 0x00 | Gain on Cr channel = -42 dB |
| 0xFF | Gain on Cr channel = +6 dB |

SD_OFF_Cb[7:0], SD Offset Cb Channel, Address 0xE1[7:0]

This register allows the user to select an offset for the Cb channel only and to adjust the hue of the picture. There is a functional overlap with the HUE[7:0] register.

Table 30. SD_OFF_Cb Function

| SD_OFF_Cb[7:0] | Description |
|----------------|--|
| 0x80 (default) | 0 mV offset applied to the Cb channel |
| 0x00 | -312 mV offset applied to the Cb channel |
| 0xFF | +312 mV offset applied to the Cb channel |

SD_OFF_Cr[7:0], SD Offset Cr Channel, Address 0xE2[7:0]

This register allows the user to select an offset for the Cr channel only and to adjust the hue of the picture. There is a functional overlap with the HUE[7:0] register.

Table 31. SD_OFF_Cr Function

| SD_OFF_Cr[7:0] | Description |
|----------------|--|
| 0x80 (default) | 0 mV offset applied to the Cr channel |
| 0x00 | -312 mV offset applied to the Cr channel |
| 0xFF | +312 mV offset applied to the Cr channel |

BRI[7:0], Brightness Adjust, Address 0x0A[7:0]

This register controls the brightness of the video signal. It allows the user to adjust the brightness of the picture.

Table 32. BRI Function

| BRI[7:0] | Description |
|----------------|--------------------------------------|
| 0x00 (default) | Offset of the luma channel = 0 IRE |
| 0x7F | Offset of the luma channel = +30 IRE |
| 0x80 | Offset of the luma channel = -30 IRE |

HUE[7:0], Hue Adjust, Address 0x0B[7:0]

This register contains the value for the color hue adjustment. It allows the user to adjust the hue of the picture.

HUE[7:0] has a range of $\pm 90^\circ$, with 0x00 equivalent to an adjustment of 0° . The resolution of HUE[7:0] is 1 bit = 0.7° .

The hue adjustment value is fed into the AM color demodulation block. Therefore, it applies only to video signals that contain chroma information in the form of an AM-modulated carrier (CVBS or Y/C in PAL or NTSC). It does not affect SECAM and does not work on component video inputs (YPrPb).

Table 33. HUE Function

| HUE[7:0] | Description (Adjust Hue of the Picture) |
|----------------|--|
| 0x00 (default) | Phase of the chroma signal = 0° |
| 0x7F | Phase of the chroma signal = -90° |
| 0x80 | Phase of the chroma signal = $+90^\circ$ |

DEF_Y[5:0], Default Value Y, Address 0x0C[7:2]

When the ADV7180 loses lock on the incoming video signal or when there is no input signal, the DEF_Y[5:0] register allows the user to specify a default luma value to be output. This value is used under the following conditions:

- If the DEF_VAL_AUTO_EN bit is set to high and the ADV7180 has lost lock to the input video signal. This is the intended mode of operation (automatic mode).
- The DEF_VAL_EN bit is set, regardless of the lock status of the video decoder. This is a forced mode that may be useful during configuration.

The DEF_Y[5:0] values define the six MSBs of the output video. The remaining LSBs are padded with 0s. For example, in 8-bit mode, the output is $Y[7:0] = \{\text{DEF_Y}[5:0], 0, 0\}$.

For DEF_Y[5:0], 0x0D (blue) is the default value for Y.

Register 0x0C has a default value of 0x36.

DEF_C[7:0], Default Value C, Address 0x0D[7:0]

The DEF_C[7:0] register complements the DEF_Y[5:0] value. It defines the four MSBs of Cr and Cb values to be output if

- The DEF_VAL_AUTO_EN bit is set to high and the ADV7180 cannot lock to the input video (automatic mode).
- DEF_VAL_EN bit is set to high (forced output).

The data that is finally output from the ADV7180 for the chroma side is $Cr[3:0] = \{\text{DEF_C}[7:4], 0, 0, 0\}$, and $Cb[3:0] = \{\text{DEF_C}[3:0], 0, 0, 0\}$.

For DEF_C[7:0], 0x7C (blue) is the default value for Cr and Cb.

DEF_VAL_EN, Default Value Enable, Address 0x0C[0]

This bit forces the use of the default values for Y, Cr, and Cb. See the descriptions in the DEF_Y[5:0], Default Value Y, Address 0x0C[7:2] and DEF_C[7:0], Default Value C, Address 0x0D[7:0] sections for additional information. In this mode, the decoder also outputs a stable 27 MHz clock, HS, and VS.

Setting DEF_VAL_EN to 0 (default) outputs a colored screen determined by user-programmable Y, Cr, and Cb values when the decoder free-runs. Free-run mode is turned on and off by the DEF_VAL_AUTO_EN bit.

Setting DEF_VAL_EN to 1 forces a colored screen output determined by user-programmable Y, Cr, and Cb values. This overrides picture data even if the decoder is locked.

DEF_VAL_AUTO_EN, Default Value Automatic Enable, Address 0x0C[1]

This bit enables the automatic use of the default values for Y, Cr, and Cb when the ADV7180 cannot lock to the video signal.

Setting DEF_VAL_AUTO_EN to 0 disables free-run mode. If the decoder is unlocked, it outputs noise.

Setting DEF_VAL_EN to 1 (default) enables free-run mode, and a colored screen set by user-programmable Y, Cr, and Cb values is displayed when the decoder loses lock.

CLAMP OPERATION

The input video is ac-coupled into the ADV7180. Therefore, its dc value needs to be restored. This process is referred to as clamping the video. This section explains the general process of clamping on the ADV7180 and shows the different ways in which a user can configure its behavior.

The ADV7180 uses a combination of current sources and a digital processing block for clamping, as shown in Figure 20. The analog processing channel shown is replicated three times inside the IC. While only one single channel is needed for a CVBS signal, two independent channels are needed for Y/C (SVHS) type signals, and three independent channels are needed to allow component signals (YPrPb) to be processed.

The clamping can be divided into two sections:

- Clamping before the ADC (analog domain): current sources.
- Clamping after the ADC (digital domain): digital processing block.

The ADC can digitize an input signal only if it resides within the ADC 1.0 V input voltage range. An input signal with a dc level that is too large or too small is clipped at the top or bottom of the ADC range.

The primary task of the analog clamping circuits is to ensure that the video signal stays within the valid ADC input window so that the analog-to-digital conversion can take place. It is not necessary to clamp the input signal with a very high accuracy in the analog domain as long as the video signal fits within the ADC range.

After digitization, the digital fine clamp block corrects for any remaining variations in dc level. Because the dc level of an input video signal refers directly to the brightness of the picture transmitted, it is important to perform a fine clamp with high accuracy; otherwise, brightness variations may occur. Furthermore, dynamic changes in the dc level almost certainly lead to visually objectionable artifacts and must, therefore, be prohibited.

The clamping scheme has to complete two tasks. It must acquire a newly connected video signal with a completely unknown dc level, and it must maintain the dc level during normal operation.

To acquire an unknown video signal quickly, the large current clamps should be activated. It is assumed that the amplitude of the video signal at this point is of a nominal value. Control of the coarse and fine current clamp parameters is performed automatically by the decoder.

Standard definition video signals may have excessive noise on them. In particular, CVBS signals transmitted by terrestrial broadcast and demodulated using a tuner usually show very large levels of noise (>100 mV). A voltage clamp is unsuitable for this type of video signal. Instead, the ADV7180 employs a set of four current sources that can cause coarse (>0.5 mA) and fine (<0.1 mA) currents to flow into and away from the high impedance node that carries the video signal (see Figure 20).

The following sections describe the I²C signals that can be used to influence the behavior of the clamping block.

CCLEN, Current Clamp Enable, Address 0x14[4]

The current clamp enable bit allows the user to switch off the current sources in the analog front end altogether. This may be useful if the incoming analog video signal is clamped externally.

When CCLEN is 0, the current sources are switched off.

When CCLEN is 1 (default), the current sources are enabled.

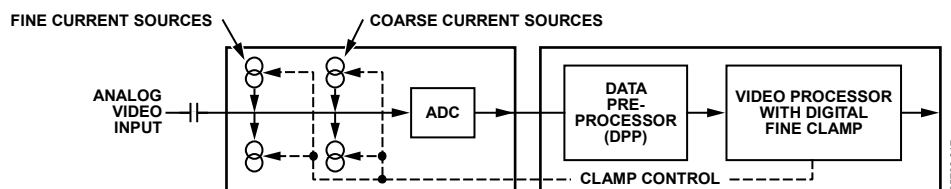


Figure 20. Clamping Overview

DCT[1:0], Digital Clamp Timing, Address 0x15[6:5]

The clamp timing register determines the time constant of the digital fine clamp circuitry. It is important to note that the digital fine clamp reacts quickly because it immediately corrects any residual dc level error for the active line. The time constant from the digital fine clamp must be much quicker than the one from the analog blocks.

By default, the time constant of the digital fine clamp is adjusted dynamically to suit the currently connected input signal.

Table 34. DCT Function

| DCT[1:0] | Description |
|--------------|--|
| 00 (default) | Slow (TC = 1 sec) |
| 01 | Medium (TC = 0.5 sec) |
| 10 | Fast (TC = 0.1 sec) |
| 11 | Determined by ADV7180, depending on the input video parameters |

DCFE, Digital Clamp Freeze Enable, Address 0x15[4]

This register bit allows the user to freeze the digital clamp loop at any time. It is intended for users who would like to do their own clamping. Users should disable the current sources for analog clamping via the appropriate register bits, wait until the digital clamp loop settles, and then freeze it via the DCFE bit.

When DCFE is 0 (default), the digital clamp is operational.

When DCFE is 1, the digital clamp loop is frozen.

LUMA FILTER

Data from the digital fine clamp block is processed by the three sets of filters that follow. Note that the data format at this point is CVBS for CVBS input or luma only for Y/C and YPrPb input formats.

- Luma antialias filter (YAA). The ADV7180 receives video at a rate of 28.6363 MHz. (In the case of 4× oversampled video, the ADC samples at 57.27 MHz, and the first decimation is performed inside the DPP filters. Therefore, the data rate into the ADV7180 is always 28.6363 MHz.) The ITU-R BT.601 recommends a sampling frequency of 13.5 MHz. The luma antialias filter decimates the oversampled video using a high quality linear phase, low-pass filter that preserves the luma signal while at the same time attenuating out-of-band components. The luma antialias filter (YAA) has a fixed response.

- Luma shaping filters (YSH). The shaping filter block is a programmable low-pass filter with a wide variety of responses. It can be used to selectively reduce the luma video signal bandwidth (needed prior to scaling, for example). For some video sources that contain high frequency noise, reducing the bandwidth of the luma signal improves visual picture quality. A follow-on video compression stage may work more efficiently if the video is low-pass filtered.

The ADV7180 has two responses for the shaping filter: one that is used for good quality composite, component, and SVHS type sources, and a second for nonstandard CVBS signals.

The YSH filter responses also include a set of notches for PAL and NTSC. However, using the comb filters for Y/C separation is recommended.

- Digital resampling filter. This block allows dynamic resampling of the video signal to alter parameters such as the time base of a line of video. Fundamentally, the resampler is a set of low-pass filters. The actual response is chosen by the system with no requirement for user intervention.

Figure 22 through Figure 25 show the overall response of all filters together. Unless otherwise noted, the filters are set into a typical wideband mode.

Y Shaping Filter

For input signals in CVBS format, the luma shaping filters play an essential role in removing the chroma component from a composite signal. Y/C separation must aim for best possible crosstalk reduction while still retaining as much bandwidth (especially on the luma component) as possible. High quality Y/C separation can be achieved by using the internal comb filters of the ADV7180. Comb filtering, however, relies on the frequency relationship of the luma component (multiples of the video line rate) and the color subcarrier (f_{sc}). For good quality CVBS signals, this relationship is known; the comb filter algorithms can be used to separate luma and chroma with high accuracy.

In the case of nonstandard video signals, the frequency relationship may be disturbed, and the comb filters may not be able to remove all crosstalk artifacts in the best fashion without the assistance of the shaping filter block.

An automatic mode is provided that allows the ADV7180 to evaluate the quality of the incoming video signal and select the filter responses in accordance with the signal quality and video standard. YFSM, WYSFMOVR, and WYSFM allow the user to manually override the automatic decisions in part or in full.

The luma shaping filter has three control registers.

- YFSM[4:0] allows the user to manually select a shaping filter mode (applied to all video signals) or to enable an automatic selection (depending on video quality and video standard).
- WYSFMOVR allows the user to manually override the WYSFM decision.
- WYSFM[4:0] allows the user to select a different shaping filter mode for good quality composite (CVBS), component (YPrPb), and SVHS (Y/C) input signals.

In automatic mode, the system preserves the maximum possible bandwidth for good CVBS sources (because they can be successfully combed) as well as for luma components of YPrPb and Y/C sources (because they need not be combed). For poor quality signals, the system selects from a set of proprietary shaping filter responses that complements comb filter operation to reduce visual artifacts.

The decisions of the control logic are shown in Figure 21.

YFSM[4:0], Y Shaping Filter Mode, Address 0x17[4:0]

The Y shaping filter mode bits allow the user to select from a wide range of low-pass and notch filters. When switched in automatic mode, the filter selection is based on other register selections, such as detected video standard, as well as properties extracted from the incoming video itself, such as quality and time base stability. The automatic selection always selects the widest possible bandwidth for the video input encountered.

The Y-shaping filter mode operates as follows:

- If the YFSM settings specify a filter (that is, YFSM is set to values other than 00000 or 00001), the chosen filter is applied to all video, regardless of its quality.
- In automatic selection mode, the notch filters are only used for bad quality video signals. For all other video signals, wideband filters are used.

WYSFMOVR, Wideband Y Shaping Filter Override, Address 0x18[7]

Setting the WYSFMOVR bit enables the use of the WYSFM[4:0] settings for good quality video signals. For more information on luma shaping filters, see the Y Shaping Filter section and the flowchart shown in Figure 21.

When WYSFMOVR is 0, the shaping filter for good quality video signals is selected automatically.

Setting WYSFMOVR to 1 (default) enables manual override via WYSFM[4:0].

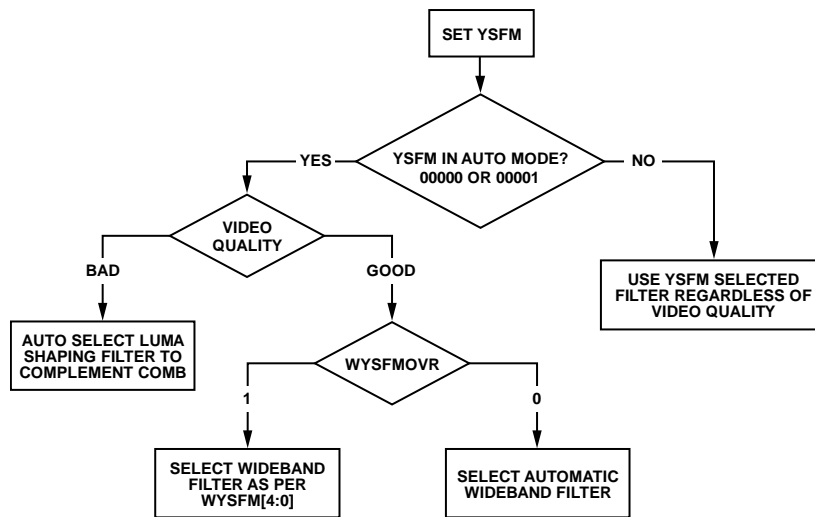


Figure 21. YFSM and WYSFM Control Flowchart

06730-018

Table 35. YSFM Function

| YSFM[4:0] | Description |
|-----------------|--|
| 00000 | Automatic selection including a wide notch response (PAL/NTSC/SECAM) |
| 00001 (default) | Automatic selection including a narrow notch response (PAL/NTSC/SECAM) |
| 00010 | SVHS 1 |
| 00011 | SVHS 2 |
| 00100 | SVHS 3 |
| 00101 | SVHS 4 |
| 00110 | SVHS 5 |
| 00111 | SVHS 6 |
| 01000 | SVHS 7 |
| 01001 | SVHS 8 |
| 01010 | SVHS 9 |
| 01011 | SVHS 10 |
| 01100 | SVHS 11 |
| 01101 | SVHS 12 |
| 01110 | SVHS 13 |
| 01111 | SVHS 14 |
| 10000 | SVHS 15 |
| 10001 | SVHS 16 |
| 10010 | SVHS 17 |
| 10011 | SVHS 18 (CCIR 601) |
| 10100 | PAL NN1 |
| 10101 | PAL NN2 |
| 10110 | PAL NN3 |
| 10111 | PAL WN1 |
| 11000 | PAL WN2 |
| 11001 | NTSC NN1 |
| 11010 | NTSC NN2 |
| 11011 | NTSC NN3 |
| 11100 | NTSC WN1 |
| 11101 | NTSC WN2 |
| 11110 | NTSC WN3 |
| 11111 | Reserved |

WYSFM[4:0], Wideband Y Shaping Filter Mode, Address 0x18[4:0]

The WYSFM[4:0] bits allow the user to manually select a shaping filter for good quality video signals, for example, CVBS with stable time base, luma component of YPrPb, and luma component of Y/C. The WYSFM bits are active only if the WYSFMOVR bit is set to 1. See the general discussion of the shaping filter settings in the Y Shaping Filter section.

Table 36. WYSFM Function

| WYSFM[4:0] | Description |
|-----------------|--------------------|
| 00000 | Do not use |
| 00001 | Do not use |
| 00010 | SVHS 1 |
| 00011 | SVHS 2 |
| 00100 | SVHS 3 |
| 00101 | SVHS 4 |
| 00110 | SVHS 5 |
| 00111 | SVHS 6 |
| 01000 | SVHS 7 |
| 01001 | SVHS 8 |
| 01010 | SVHS 9 |
| 01011 | SVHS 10 |
| 01100 | SVHS 11 |
| 01101 | SVHS 12 |
| 01110 | SVHS 13 |
| 01111 | SVHS 14 |
| 10000 | SVHS 15 |
| 10001 | SVHS 16 |
| 10010 | SVHS 17 |
| 10011 (default) | SVHS 18 (CCIR 601) |
| 10100 to 11111 | Do not use |

The filter plots in Figure 22 show the SVHS 1 (narrowest) to SVHS 18 (widest) shaping filter settings. Figure 24 shows the PAL notch filter responses. The NTSC-compatible notches are shown in Figure 25.

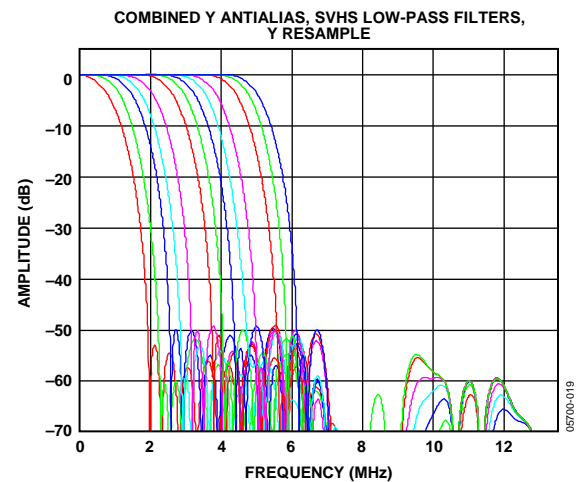


Figure 22. Y SVHS Combined Responses

CHROMA FILTER

Data from the digital fine clamp block is processed by the three sets of filters that follow. Note that the data format at this point is CVBS for CVBS inputs, chroma only for Y/C, or U/V interleaved for YPrPb input formats.

- Chroma antialias filter (CAA). The ADV7180 oversamples the CVBS by a factor of 4 and the chroma/YPrPb by a factor of 2. A decimating filter (CAA) is used to preserve the active video band and to remove any out-of-band components. The CAA filter has a fixed response.

- Chroma shaping filters (CSH). The shaping filter block (CSH) can be programmed to perform a variety of low-pass responses. It can be used to selectively reduce the bandwidth of the chroma signal for scaling or compression.
- Digital resampling filter. This block allows dynamic resampling of the video signal to alter parameters such as the time base of a line of video. Fundamentally, the resampler is a set of low-pass filters. The actual response is chosen by the system without user intervention.

Figure 26 shows the overall response of all filters together.

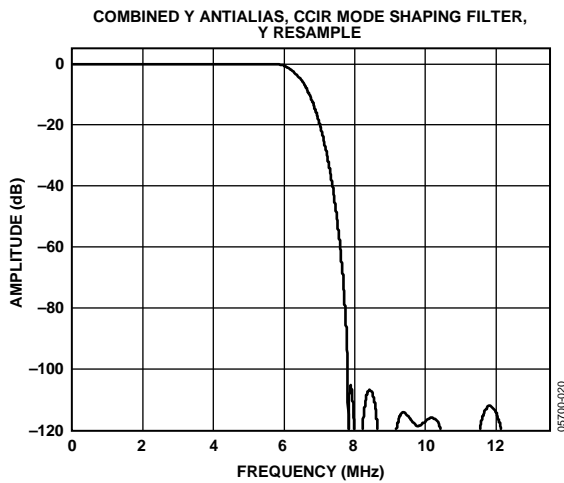


Figure 23. Combined Y Antialias, CCIR Mode Shaping Filter

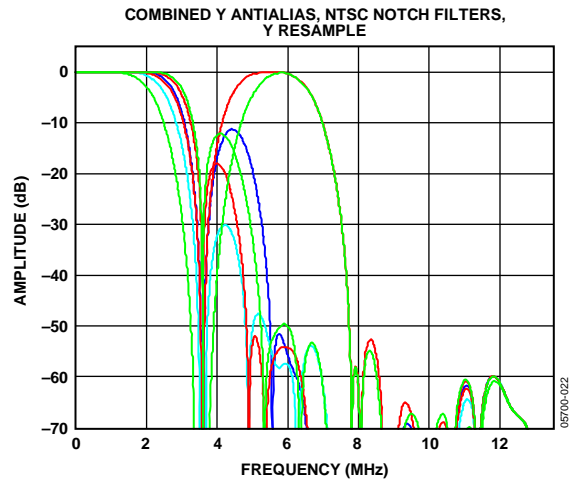


Figure 25. Combined Y Antialias Filter, NTSC Notch Filters

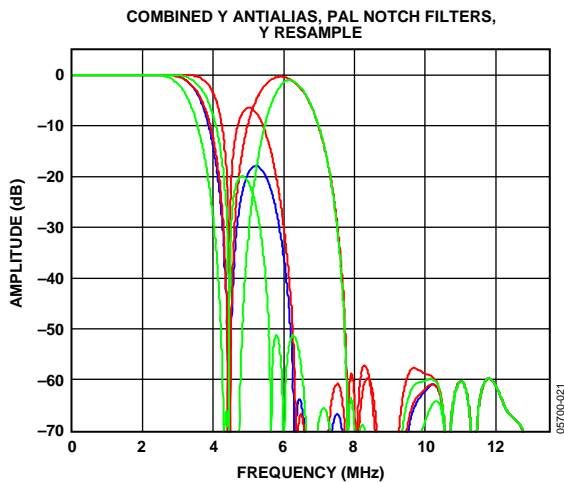


Figure 24. Combined Y Antialias, PAL Notch Filters

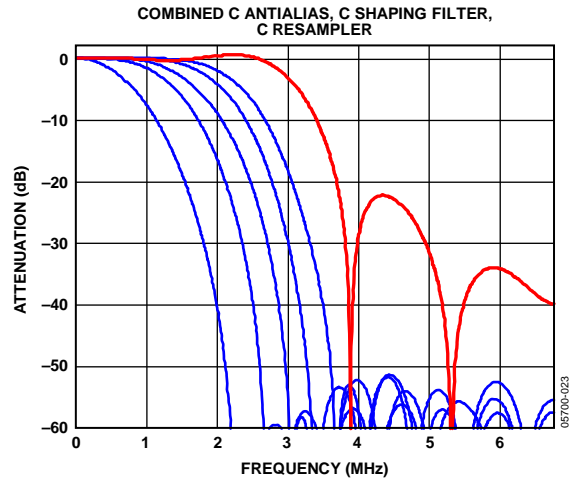


Figure 26. Chroma Shaping Filter Responses

CSFM[2:0], C Shaping Filter Mode, Address 0x17[7:5]

The C shaping filter mode bits allow the user to select from a range of low-pass filters for the chrominance signal. When switched in automatic mode, the widest filter is selected based on the video standard/format and user choice (see Setting 000 and Setting 001 in Table 37).

Table 37. CSFM Function

| CSFM[2:0] | Description |
|---------------|----------------------------------|
| 000 (default) | Autoselection 1.5 MHz bandwidth |
| 001 | Autoselection 2.17 MHz bandwidth |
| 010 | SH1 |
| 011 | SH2 |
| 100 | SH3 |
| 101 | SH4 |
| 110 | SH5 |
| 111 | Wideband mode |

Figure 26 shows the responses of SH1 (narrowest) to SH5 (widest) in addition to the wideband mode (shown in red).

GAIN OPERATION

The gain control within the ADV7180 is done on a purely digital basis. The input ADC supports a 10-bit range mapped into a 1.0 V analog voltage range. Gain correction takes place after the digitization in the form of a digital multiplier.

Advantages of this architecture over the commonly used programmable gain amplifier (PGA) before the ADC include the fact that the gain is now completely independent of supply, temperature, and process variations.

As shown in Figure 28, the ADV7180 can decode a video signal as long as it fits into the ADC window. The components for this are the amplitude of the input signal and the dc level it resides on. The dc level is set by the clamping circuitry (see the Clamp Operation section).

If the amplitude of the analog video signal is too high, clipping may occur, resulting in visual artifacts. The analog input range of the ADC, together with the clamp level, determines the maximum supported amplitude of the video signal.

Figure 27 shows a typical voltage divider network that is required to keep the input video signal within the allowed range of the ADC, 0 V to 1 V. This circuit should be placed before all analog inputs to the ADV7180.

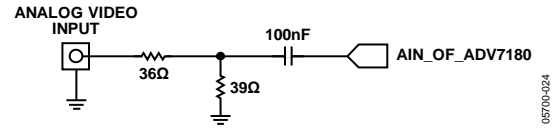


Figure 27. Input Voltage Divider Network

The minimum supported amplitude of the input video is determined by the ability of the ADV7180 to retrieve horizontal and vertical timing and to lock to the color burst, if present.

There are separate gain control units for luma and chroma data. Both can operate independently of each other. The chroma unit, however, can also take its gain value from the luma path.

The possible AGC modes are shown in Table 38.

Table 38. AGC Modes

| Input Video Type | Luma Gain | Chroma Gain |
|------------------|--|--|
| Any | Manual gain luma | Manual gain chroma |
| CVBS | Dependent on horizontal sync depth Peak white | Dependent on color-burst amplitude taken from luma path Dependent on color-burst amplitude taken from luma path |
| Y/C | Dependent on horizontal sync depth Peak white | Dependent on color-burst amplitude taken from luma path Dependent on color-burst amplitude |
| YPrPb | Dependent on horizontal sync depth | Taken from luma path |

It is possible to freeze the automatic gain control loops. This causes the loops to stop updating and the AGC determined gain at the time of the freeze to stay active until the loop is either unfrozen or the gain mode of operation is changed.

The currently active gain from any of the modes can be read back. Refer to the description of the dual-function manual gain registers, LG[11:0] luma gain and CG[11:0] chroma gain, in the Luma Gain and Chroma Gain sections.

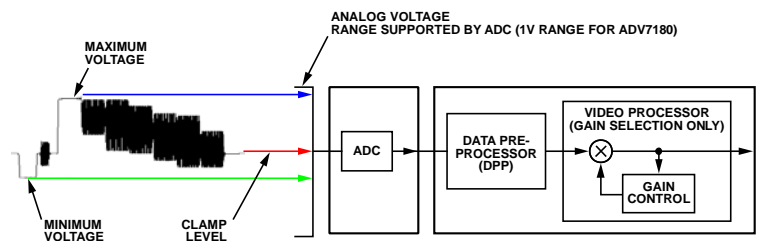


Figure 28. Gain Control Overview

Luma Gain

LAGC[2:0], Luma Automatic Gain Control, Address 0x2C[6:4]

The luma automatic gain control mode bits select the operating mode for the gain control in the luma path.

There are internal parameters (Analog Devices proprietary algorithms) to customize the peak white gain control. Contact local Analog Devices field applications engineers or local Analog Devices distributor for more information.

Table 39. LAGC Function

| LAGC[2:0] | Description |
|---------------|---|
| 000 | Manual fixed gain (use LMG[11:0]) |
| 001 | AGC (blank level to sync tip), peak white algorithm off |
| 010 (default) | AGC (blank level to sync tip), peak white algorithm on |
| 011 | Reserved |
| 100 | Reserved |
| 101 | Reserved |
| 110 | Reserved |
| 111 | Freeze gain |

LAGT[1:0], Luma Automatic Gain Timing, Address 0x2F[7:6]

The luma automatic gain timing register allows the user to influence the tracking speed of the luminance automatic gain control. This register only has an effect if the LAGC[2:0] register is set to 001 or 010 (automatic gain control modes).

If peak white AGC is enabled and active (see the Status 1 [7:0], Address 0x10[7:0] section), the actual gain update speed is dictated by the peak white AGC loop and, as a result, the LAGT settings have no effect. As soon as the part leaves peak white AGC, LAGT becomes relevant again.

The update speed for the peak white algorithm can be customized by the use of internal parameters. Contact Analog Devices local field engineers for more information.

Table 40. LAGT Function

| LAGT[1:0] | Description |
|--------------|---------------------|
| 00 | Slow (TC = 2 sec) |
| 01 | Medium (TC = 1 sec) |
| 10 | Fast (TC = 0.2 sec) |
| 11 (default) | Adaptive |

LG[11:0], Luma Gain, Address 0x2F[3:0], Address 0x30[7:0]

LMG[11:0], Luma Manual Gain, Address 0x2F[3:0], Address 0x30[7:0]

Luma gain[11:0] is a dual-function register. If all of these registers are written to, a desired manual luma gain can be programmed. This gain becomes active if the LAGC[2:0] mode is switched to manual fixed gain. Equation 1 shows how to calculate a desired gain.

If read back, this register returns the current gain value. Depending on the setting in the LAGC[2:0] bits, the value is one of the following:

- Luma manual gain value (LAGC[2:0] set to luma manual gain mode)
- Luma automatic gain value (LAGC[2:0] set to any of the automatic modes)

Table 41. LG/LMG Function

| LG[11:0]/LMG[11:0] | Read/Write | Description |
|--------------------|------------|---------------------------|
| LMG[11:0] = x | Write | Manual gain for luma path |
| LG[11:0] = x | Read | Actual used gain |

$$Luma\ Gain = \frac{LMG[11:0]}{LumaCalibrationFactor} \quad (1)$$

where *LMG[11:0]* is a decimal value between 1024 and 4095.

Calculation of the Luma Calibration Factor

1. Using a video source, set content to a grey field and apply as a standard CVBS signal to the CVBS input of the board.
2. Using an oscilloscope, measure the signal at CVBS input to ensure that its sync depth, colour burst, and luma are at the standard levels.
3. Connect the output parallel pixel bus of the ADV7180 to a backend system that has unity gain and monitor output voltage.
4. Measure the luma level correctly from the black level. Turn off the Luma AGC and manually change the value of the luma gain control register, LMG[11:0], until the output luma level matches the input measured in Step 2.

This value, in decimal, is the luma calibration factor.

BETACAM, Enable Betacam Levels, Address 0x01[5]

If YPrPb data is routed through the ADV7180, the automatic gain control modes can target different video input levels, as outlined in Table 44. The BETACAM bit is valid only if the input mode is YPrPb (component). The BETACAM bit sets the target value for AGC operation.

A review of the following sections is useful:

- The MAN_MUX_EN, Manual Input Muxing Enable, Address 0xC4[7] section for how component video (YPrPb) can be routed through the ADV7180.
- The Video Standard Selection section to select the various standards, for example, with and without pedestal.

The AGC algorithms adjust the levels based on the setting of the BETACAM bit (see Table 42).

PW_UPD, Peak White Update, Address 0x2B[0]

The peak white and average video algorithms determine the gain based on measurements taken from the active video. The PW_UPD bit determines the rate of gain change. LAGC[2:0] must be set to the appropriate mode to enable the peak white or average video mode in the first place. For more information, see the LAGC[2:0], Luma Automatic Gain Control, Address 0x2C[6:4] section.

Setting PW_UPD to 0 updates the gain once per video line.

Setting PW_UPD to 1 (default) updates the gain once per field.

Chroma Gain**CAGC[1:0], Chroma Automatic Gain Control, Address 0x2C[1:0]**

The two bits of color automatic gain control mode select the basic mode of operation for automatic gain control in the chroma path.

Table 42. BETACAM Function

| BETACAM | Description |
|-------------|---|
| 0 (default) | Assuming YPrPb is selected as input format: Selecting PAL with pedestal selects MII. Selecting PAL without pedestal selects SMPTE. Selecting NTSC with pedestal selects MII. Selecting NTSC without pedestal selects SMPTE. |
| 1 | Assuming YPrPb is selected as input format: Selecting PAL with pedestal selects BETACAM. Selecting PAL without pedestal selects BETACAM variant. Selecting NTSC with pedestal selects BETACAM. Selecting NTSC without pedestal selects BETACAM variant. |

Table 43. CAGC Function

| CAGC[1:0] | Description |
|--------------|---------------------------------------|
| 00 | Manual fixed gain (use CMG[11:0]) |
| 01 | Luma gain used for chroma |
| 10 (default) | Automatic gain (based on color burst) |
| 11 | Freeze chroma gain |

Table 44. BETACAM Levels

| Name | BETACAM (mV) | BETACAM Variant (mV) | SMPTE (mV) | MI I (mV) |
|------------|-------------------------------------|----------------------|--------------|-------------------------------------|
| Y | 0 to +714 (including 7.5% pedestal) | 0 to +714 | 0 to +700 | 0 to +700 (including 7.5% pedestal) |
| Pb and Pr | -467 to +467 | -505 to +505 | -350 to +350 | -324 to +324 |
| Sync Depth | +286 | +286 | +300 | +300 |

CAGT[1:0], Chroma Automatic Gain Timing, Address 0x2D[7:6]

The chroma automatic gain timing register allows the user to influence the tracking speed of the chroma automatic gain control. This register has an effect only if the CAGC[1:0] register is set to 10 (automatic gain).

Table 45. CAGT Function

| CAGT[1:0] | Description |
|--------------|---------------------|
| 00 | Slow (TC = 2 sec) |
| 01 | Medium (TC = 1 sec) |
| 10 | Reserved |
| 11 (default) | Adaptive |

CG[11:0], Chroma Gain, Address 0x2D[3:0], Address 0x2E[7:0]; CMG[11:0], Chroma Manual Gain, Address 0x2D[3:0], Address 0x2E[7:0]

Chroma gain[11:0] is a dual-function register. If written to, a desired manual chroma gain can be programmed. This gain becomes active if the CAGC[1:0] function is switched to manual fixed gain. See Equation 2 for calculating a desired gain.

If read back, this register returns the current gain value. Depending on the setting in the CAGC[1:0] bits, this is either:

- The chroma manual gain value (CAGC[1:0] set to chroma manual gain mode).
- The chroma automatic gain value (CAGC[1:0] set to any of the automatic modes).

Table 46. CG/CMG Function

| CG[11:0]/CMG[11:0] | Read/Write | Description |
|--------------------|------------|-----------------------------|
| CMG[11:0] | Write | Manual gain for chroma path |
| CG[11:0] | Read | Currently active gain |

$$Chroma_Gain \cong \frac{CMG[11:0]_{decimal}}{ChromaCalibrationFactor} \quad (2)$$

where *ChromaCalibrationFactor* is a decimal value between 0 and 4095.

Calculation of the Chroma Calibration Factor

1. Apply a CVBS signal with the color bars/SMPTE bars test pattern content directly to the measurement equipment.
2. Ensure correct termination of 75 Ω on the measurement equipment. Measure chroma output levels.
3. Reconnect the source to the CVBS input of the ADV7180 system that has a backend gain of 1. Repeat the measurement of chroma levels.

4. Turn off the Chroma AGC and manually change the Chroma Gain Control Register CMG[11:0] until the chroma level matches that measured directly from the source.

This value, in decimal, is the chroma calibration factor.

CKE, Color Kill Enable, Address 0x2B[6]

The color kill enable bit allows the optional color kill function to be switched on or off.

For QAM-based video standards (PAL and NTSC) as well as FM-based systems (SECAM), the threshold for the color kill decision is selectable via the CKILLTHR[2:0] bits.

If color kill is enabled and the color carrier of the incoming video signal is less than the threshold for 128 consecutive video lines, color processing is switched off (black and white output). To switch the color processing back on, another 128 consecutive lines with a color burst greater than the threshold are required.

The color kill option works only for input signals with a modulated chroma part. For component input (YPrPb), there is no color kill.

Setting CKE to 0 disables color kill.

Setting CKE to 1 (default) enables color kill.

CKILLTHR[2:0], Color Kill Threshold, Address 0x3D[6:4]

The CKILLTHR[2:0] bits allow the user to select a threshold for the color kill function. The threshold applies only to QAM-based (NTSC and PAL) or FM-modulated (SECAM) video standards.

To enable the color kill function, the CKE bit must be set. For Setting 000, Setting 001, Setting 010, and Setting 011, chroma demodulation inside the ADV7180 may not work satisfactorily for poor input video signals.

Table 47. CKILLTHR Function

| CKILLTHR[2:0] | Description | |
|---------------|--|---------------|
| | SECAM | NTSC, PAL |
| 000 | No color kill | Kill at <0.5% |
| 001 | Kill at <5% | Kill at <1.5% |
| 010 | Kill at <7% | Kill at <2.5% |
| 011 (default) | Kill at <8% | Kill at <4% |
| 100 | Kill at <9.5% | Kill at <8.5% |
| 101 | Kill at <15% | Kill at <16% |
| 110 | Kill at <32% | Kill at <32% |
| 111 | Reserved for Analog Devices internal use only; do not select | |

CHROMA TRANSIENT IMPROVEMENT (CTI)

The signal bandwidth allocated for chroma is typically much smaller than that for luminance. In the past, this was a valid way to fit a color video signal into a given overall bandwidth because the human eye is less sensitive to chrominance than to luminance.

The uneven bandwidth, however, may lead to visual artifacts in sharp color transitions. At the border of two bars of color, both components (luma and chroma) change at the same time (see Figure 29). Due to the higher bandwidth, the signal transition of the luma component is usually much sharper than that of the chroma component. The color edge is not sharp and can be blurred, in the worst case, over several pixels.

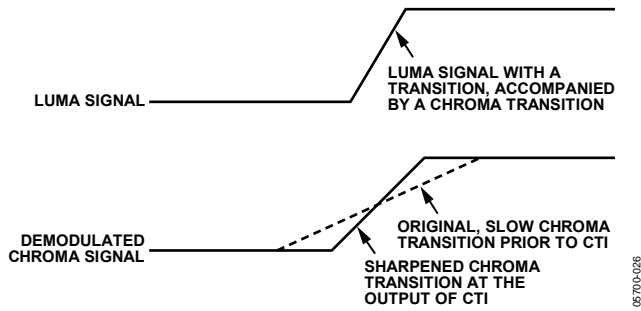


Figure 29. CTI Luma/Chroma Transition

The chroma transient improvement block examines the input video data. It detects transitions of chroma and can be programmed to create steeper chroma edges in an attempt to artificially restore lost color bandwidth. The CTI block, however, operates only on edges above a certain threshold to ensure that noise is not emphasized. Care has also been taken to ensure that edge ringing and undesirable saturation or hue distortion are avoided.

Chroma transient improvements are needed primarily for signals that have severe chroma bandwidth limitations. For those types of signals, it is strongly recommended to enable the CTI block via CTI_EN.

CTI_EN, Chroma Transient Improvement Enable, Address 0x4D[0]

Setting CTI_EN to 0 disables the CTI block.

Setting CTI_EN to 1 (default) enables the CTI block.

CTI_AB_EN, Chroma Transient Improvement Alpha Blend Enable, Address 0x4D[1]

The CTI_AB_EN bit enables an alpha blend function within the CTI block. If set to 1, the alpha blender mixes the transient improved chroma with the original signal. The sharpness of the alpha blending can be configured via the CTI_AB[1:0] bits.

For the alpha blender to be active, the CTI block must be enabled via the CTI_EN bit.

Setting CTI_AB_EN to 0 disables the CTI alpha blender.

Setting CTI_AB_EN to 1 (default) enables the CTI alpha-blend mixing function.

CTI_AB[1:0], Chroma Transient Improvement Alpha Blend, Address 0x4D[3:2]

The CTI_AB[1:0] controls the behavior of alpha blend circuitry that mixes the sharpened chroma signal with the original one. It thereby controls the visual impact of CTI on the output data.

For CTI_AB[1:0] to become active, the CTI block must be enabled via the CTI_EN bit, and the alpha blender must be switched on via CTI_AB_EN.

Sharp blending maximizes the effect of CTI on the picture but may also increase the visual impact of small amplitude, high frequency chroma noise.

Table 48. CTI_AB Function

| CTI_AB[1:0] | Description |
|--------------|--|
| 00 | Sharpest mixing between sharpened and original chroma signal |
| 01 | Sharp mixing |
| 10 | Smooth mixing |
| 11 (default) | Smoothest alpha blend function |

CTI_C_TH[7:0], CTI Chroma Threshold, Address 0x4E[7:0]

The CTI_C_TH[7:0] value is an unsigned, 8-bit number specifying how big the amplitude step in a chroma transition must be to be steepened by the CTI block. Programming a small value into this register causes even smaller edges to be steepened by the CTI block. Making CTI_C_TH[7:0] a large value causes the block to improve large transitions only.

The default value for CTI_C_TH[7:0] is 0x08, indicating the threshold for the chroma edges prior to CTI.

DIGITAL NOISE REDUCTION (DNR) AND LUMA PEAKING FILTER

Digital noise reduction is based on the assumption that high frequency signals with low amplitude are probably noise and that their removal, therefore, improves picture quality. The following are the two DNR blocks in the ADV7180: the DNR1 block before the luma peaking filter and the DNR2 block after the luma peaking filter, as shown in Figure 30.

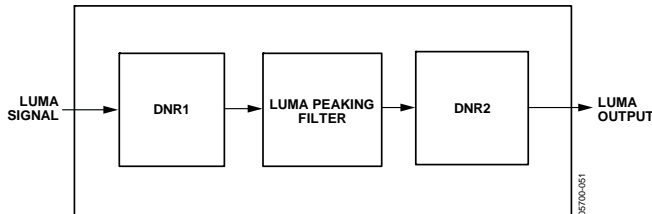


Figure 30. DNR and Peaking Block Diagram

DNR_EN, Digital Noise Reduction Enable, Address 0x4D[5]

The DNR_EN bit enables the DNR block or bypasses it.

Table 49. DNR_EN Function

| Setting | Description |
|-------------|--|
| 0 | Bypasses DNR (disable) |
| 1 (default) | Enables digital noise reduction on the luma data |

DNR_TH[7:0], DNR Noise Threshold, Address 0x50[7:0]

The DNR1 block is positioned before the luma peaking block. The DNR_TH[7:0] value is an unsigned, 8-bit number used to determine the maximum edge that is interpreted as noise and, therefore, blanked from the luma data. Programming a large value into DNR_TH[7:0] causes the DNR block to interpret even large transients as noise and remove them. As a result, the effect on the video data is more visible. Programming a small value causes only small transients to be seen as noise and to be removed.

Table 50. DNR_TH[7:0] Function

| Setting | Description |
|----------------|---|
| 0x08 (default) | Threshold for maximum luma edges to be interpreted as noise |

PEAKING_GAIN[7:0], Luma Peaking Gain, Address 0xFB[7:0]

This filter can be manually enabled. The user can select to boost or to attenuate the mid region of the Y spectrum around 3 MHz. The peaking filter can visually improve the picture by showing more definition on the picture details that contain frequency components around 3 MHz. The default value on this register passes through the luma data unaltered. A lower value attenuates the signal, and a higher value gains the luma signal. A plot of the filter's responses is shown in Figure 31.

Table 51. PEAKING_GAIN[7:0] Function

| Setting | Description |
|----------------|---------------|
| 0x40 (Default) | 0 dB response |

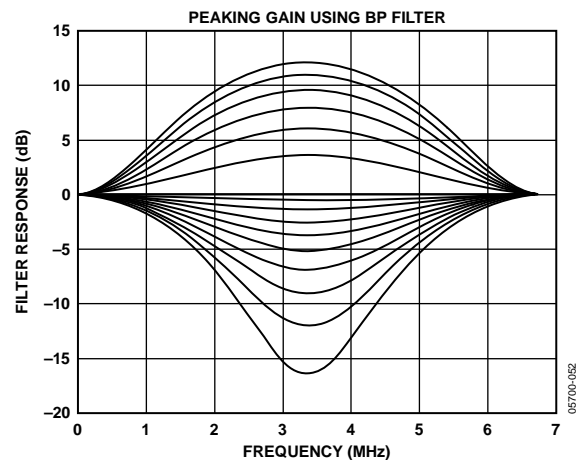


Figure 31. Peaking Filter Responses

DNR_TH2[7:0], DNR Noise Threshold 2, Address 0xFC[7:0]

The DNR2 block is positioned after the luma peaking block and, therefore, affects the gained luma signal. It operates in the same way as the DNR1 block, but there is an independent threshold control, DNR_TH2[7:0], for this block. This value is an unsigned, 8-bit number used to determine the maximum edge that is interpreted as noise and, therefore, blanked from the luma data. Programming a large value into DNR_TH2[7:0] causes the DNR block to interpret even large transients as noise and remove them. As a result, the effect on the video data is more visible. Programming a small value causes only small transients to be seen as noise and to be removed.

Table 52. DNR_TH2[7:0] Function

| Setting | Description |
|----------------|---|
| 0x04 (default) | Threshold for maximum luma edges to be interpreted as noise |

COMB FILTERS

The comb filters of the ADV7180 have been greatly improved to automatically handle video of all types, standards, and levels of quality. The NTSC and PAL configuration registers allow the user to customize the comb filter operation depending on which video standard is detected (by autodetection) or selected (by manual programming). In addition to the bits listed in this section, there are some other internal controls (based on Analog Devices proprietary algorithms); contact local Analog Devices field engineers for more information.

NTSC Comb Filter Settings

These settings are used for NTSC M/J CVBS inputs.

NSFSEL[1:0], Split Filter Selection NTSC, Address 0x19[3:2]

The NSFSEL[1:0] control selects how much of the overall signal bandwidth is fed to the combs. A narrow split filter selection results in better performance on diagonal lines but more dot crawl in the final output image. The opposite is true for selecting a wide bandwidth split filter.

Table 53. NSFSEL Function

| NSFSEL[1:0] | Description |
|--------------|-------------|
| 00 (default) | Narrow |
| 01 | Medium |
| 10 | Medium |
| 11 | Wide |

CTAPSN[1:0], Chroma Comb Taps, NTSC, Address 0x38[7:6]

Table 54. CTAPSN Function

| CTAPSN[1:0] | Description |
|--------------|--|
| 00 | Do not use |
| 01 | NTSC chroma comb adapts three lines (three taps) to two lines (two taps) |
| 10 (default) | NTSC chroma comb adapts five lines (five taps) to three lines (three taps) |
| 11 | NTSC chroma comb adapts five lines (five taps) to four lines (four taps) |

CCMN[2:0], Chroma Comb Mode, NTSC, Address 0x38[5:3]

Table 55. CCMN Function

| CCMN[2:0] | Description | Configuration |
|---------------|---|---|
| 000 (default) | Adaptive comb mode | Adaptive three-line chroma comb for CTAPSN = 01 Adaptive four-line chroma comb for CTAPSN = 10 Adaptive five-line chroma comb for CTAPSN = 11 |
| 100 | Disable chroma comb | |
| 101 | Fixed chroma comb (top lines of line memory) | Fixed two-line chroma comb for CTAPSN = 01 Fixed three-line chroma comb for CTAPSN = 10 Fixed four-line chroma comb for CTAPSN = 11 |
| 110 | Fixed chroma comb (all lines of line memory) | Fixed three-line chroma comb for CTAPSN = 01 Fixed four-line chroma comb for CTAPSN = 10 Fixed five-line chroma comb for CTAPSN = 11 |
| 111 | Fixed chroma comb (bottom lines of line memory) | Fixed two-line chroma comb for CTAPSN = 01 Fixed three-line chroma comb for CTAPSN = 10 Fixed four-line chroma comb for CTAPSN = 11 |

YCMN[2:0], Luma Comb Mode NTSC, Address 0x38[2:0]

Table 56. YCMN Function

| YCMN[2:0] | Description | Configuration |
|---------------|---|---|
| 000 (default) | Adaptive comb mode | Adaptive three-line (three taps) luma comb |
| 100 | Disable luma comb | Use low-pass/notch filter; see the Y Shaping Filter section |
| 101 | Fixed luma comb (top lines of line memory) | Fixed two-line (two taps) luma comb |
| 110 | Fixed luma comb (all lines of line memory) | Fixed three-line (three taps) luma comb |
| 111 | Fixed luma comb (bottom lines of line memory) | Fixed two-line (two taps) luma comb |

PAL Comb Filter Settings

These settings are used for PAL B/G/H/I/D, PAL M, PAL Combinational N, PAL 60, and NTSC 4.43 CVBS inputs.

PSFSEL[1:0], Split Filter Selection, PAL, Address 0x19[1:0]

The PSFSEL[1:0] control selects how much of the overall signal bandwidth is fed to the combs. A wide split filter selection eliminates dot crawl but shows imperfections on diagonal lines. The opposite is true for selecting a narrow bandwidth split filter.

Table 57. PSFSEL Function

| PSFSEL[1:0] | Description |
|--------------|-------------|
| 00 | Narrow |
| 01 (default) | Medium |
| 10 | Wide |
| 11 | Widest |

CTAPSP[1:0], Chroma Comb Taps PAL, Address 0x39[7:6]

Table 58. CTAPSP Function

| CTAPSP[1:0] | Description |
|--------------|---|
| 00 | Do not use. |
| 01 | PAL chroma comb adapts five lines (three taps) to three lines (two taps); cancels cross luma only |
| 10 | PAL chroma comb adapts five lines (five taps) to three lines (three taps); cancels cross luma and hue error less well |
| 11 (default) | PAL chroma comb adapts five lines (five taps) to four lines (four taps); cancels cross luma and hue error well |

CCMP[2:0], Chroma Comb Mode PAL, Address 0x39[5:3]

Table 59. CCMP Function

| CCMP[2:0] | Description | Configuration |
|---------------|---|---|
| 000 (default) | Adaptive comb mode | Adaptive three-line chroma comb for CTAPSN = 01 Adaptive four-line chroma comb for CTAPSN = 10 Adaptive five-line chroma comb for CTAPSN = 11 |
| 100 | Disable chroma comb | |
| 101 | Fixed chroma comb (top lines of line memory) | Fixed two-line chroma comb for CTAPSN = 01 Fixed three-line chroma comb for CTAPSN = 10 Fixed four-line chroma comb for CTAPSN = 11 |
| 110 | Fixed chroma comb (all lines of line memory) | Fixed three-line chroma comb for CTAPSN = 01 Fixed four-line chroma comb for CTAPSN = 10 Fixed five-line chroma comb for CTAPSN = 11 |
| 111 | Fixed chroma comb (bottom lines of line memory) | Fixed two-line chroma comb for CTAPSN = 01 Fixed three-line chroma comb for CTAPSN = 10 Fixed four-line chroma comb for CTAPSN = 11 |

YCMP[2:0], Luma Comb Mode PAL, Address 0x39[2:0]

Table 60. YCMP Function

| YCMP[2:0] | Description | Configuration |
|---------------|---|---|
| 000 (default) | Adaptive comb mode | Adaptive five lines (three taps) luma comb |
| 100 | Disable luma comb | Use low-pass/notch filter; see the Y Shaping Filter section |
| 101 | Fixed luma comb (top lines of line memory) | Fixed three lines (two taps) luma comb |
| 110 | Fixed luma comb (all lines of line memory) | Fixed five lines (three taps) luma comb |
| 111 | Fixed luma comb (bottom lines of line memory) | Fixed three lines (two taps) luma comb |

IF FILTER COMPENSATION

IFFILTSEL[2:0], IF Filter Select, Address 0xF8[2:0]

The IFFILTSEL[2:0] register allows the user to compensate for SAW filter characteristics on a composite input, as would be observed on tuner outputs. Figure 32 and Figure 33 show IF filter compensation for NTSC and PAL, respectively.

The options for this feature are as follows:

- Bypass mode
- NTSC, consists of three filter characteristics
- PAL, consists of three filter characteristics

See Table 107 for programming details.

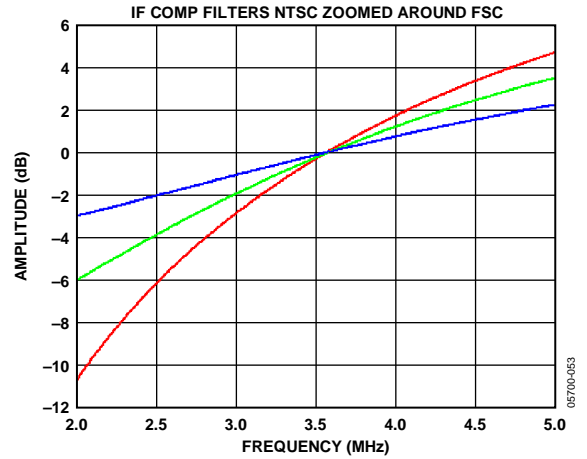


Figure 32. NTSC IF Filter Compensation

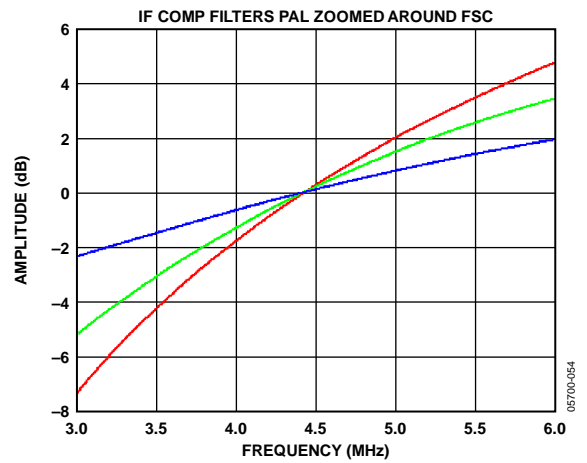


Figure 33. PAL IF Filter Compensation

AV CODE INSERTION AND CONTROLS

This section describes the I²C-based controls that affect the following:

- Insertion of AV codes into the data stream
- Data blanking during the vertical blank interval (VBI)
- The range of data values permitted in the output data stream
- The relative delay of luma vs. chroma signals

Some of the decoded VBI data is inserted during the horizontal blanking interval. See the Gemstar Data Recovery section for more information.

BT.656-4, ITU-R BT.656-4 Enable, Address 0x04[7]

Between Revision 3 and Revision 4 of the ITU-R BT.656 standards, the ITU has changed the toggling position for the V bit within the SAV EAV codes for NTSC. The ITU-R BT.656-4 standard bit allows the user to select an output mode that is compliant with either the previous or new standard. For further information, visit the International Telecommunication Union website.

Note that the standard change only affects NTSC and has no bearing on PAL.

When ITU-R BT.656-4 is 0 (default), the ITU-R BT.656-3 specification is used. The V bit goes low at EAV of Line 10 and Line 273.

When ITU-R BT.656-4 is 1, the ITU-R BT.656-4 specification is used. The V bit goes low at EAV of Line 20 and Line 283.

SD_DUP_AV, Duplicate AV Codes, Address 0x03[0]

Depending on the output interface width, it may be necessary to duplicate the AV codes from the luma path into the chroma path.

In an 8-bit wide output interface (Cb/Y/Cr/Y interleaved data), the AV codes are defined as FF/00/00/AV, with AV being the transmitted word that contains information about H/V/F.

In this output interface mode, the following assignment takes place: Cb = FF, Y = 00, Cr = 00, and Y = AV.

In a 16-bit output interface (64-lead LQFP only), where Y and Cr/Cb are delivered via separate data buses, the AV code is spread over the whole 16 bits. The SD_DUP_AV bit allows the user to replicate the AV codes on both buses; therefore, the full AV sequence can be found on the Y bus as well as on the Cr/Cb bus (see Figure 34).

When SD_DUP_AV is 0 (default), the AV codes are in single fashion (to suit 8-bit interleaved data output).

When SD_DUP_AV is 1, the AV codes are duplicated (for 16-bit interfaces).

VBI_EN, Vertical Blanking Interval Data Enable, Address 0x03[7]

The VBI enable bit allows data such as intercast and closed caption data to be passed through the luma channel of the decoder with a minimal amount of filtering. All data for Line 1 to Line 21 is passed through and available at the output port. The ADV7180 does not blank the luma data and automatically switches all filters along the luma data path into their widest bandwidth. For active video, the filter settings for YSH and YPK are restored.

See the BL_C_VBI, Blank Chroma During VBI, Address 0x04[2] section for information on the chroma path.

When VBI_EN is 0 (default), all video lines are filtered/scaled.

When VBI_EN is 1, only the active video region is filtered/scaled.

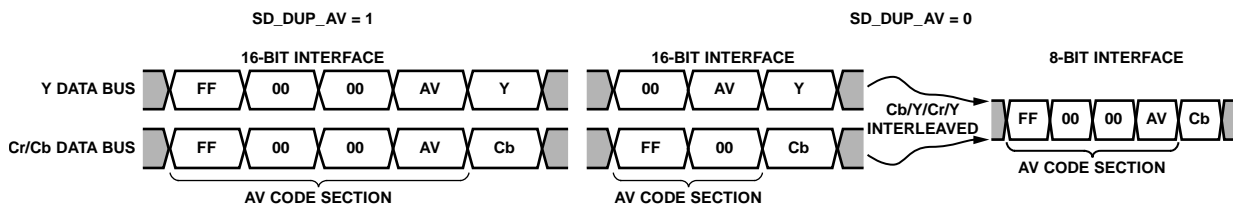


Figure 34. AV Code Duplication Control (64-Lead LQFP Only)

05700-027

BL_C_VBI, Blank Chroma During VBI, Address 0x04[2]

Setting BL_C_VBI high blanks the Cr and Cb values of all VBI lines. This is done so any data that may arrive during VBI is not decoded as color and is output through Cr and Cb. As a result, it is possible to send VBI lines into the decoder and then output them through an encoder again, undistorted. Without this blanking, any color that is incorrectly decoded would be encoded by the video encoder, thus distorting the VBI lines.

Setting BL_C_VBI to 0 decodes and outputs color during VBI.

Setting BL_C_VBI to 1 (default) blanks Cr and Cb values during VBI.

Range, Range Selection, Address 0x04[0]

AV codes (as per ITU-R BT.656, formerly known as CCIR-656) consist of a fixed header made up of 0xFF and 0x00 values.

These two values are reserved and, therefore, are not to be used for active video. Additionally, the ITU specifies that the nominal range for video should be restricted to values between 16 and 235 for luma and 16 and 240 for chroma.

The range bit allows the user to limit the range of values output by the ADV7180 to the recommended value range. The ADV7180 does not scale the data to fit within the smaller range. Any value outside of the range is ignored. In any case, it ensures that the reserved values of 255d (0xFF) and 00d (0x00) are not presented on the output pins unless they are part of an AV code header.

Table 61. RANGE Function

| Range | Description |
|-------------|--|
| 0 | $16 \leq Y \leq 235, 16 \leq C/P \leq 240$ |
| 1 (default) | $1 \leq Y \leq 254, 1 \leq C/P \leq 254$ |

AUTO_PDC_EN, Automatic Programmed Delay Control, Address 0x27[6]

Enabling AUTO_PDC_EN activates a function within the ADV7180 that automatically programs the LTA[1:0] and CTA[2:0] registers to have the chroma and luma data match delays for all modes of operation. If AUTO_PDC_EN is set, the LTA[1:0] and CTA[2:0] manual registers are not used. If the automatic mode is disabled (by setting the AUTO_PDC_EN bit to 0), the values programmed into the LTA[1:0] and CTA[2:0] registers become active.

When AUTO_PDC_EN is 0, the ADV7180 uses the LTA[1:0] and CTA[2:0] values for delaying luma and chroma samples. See the LTA[1:0], Luma Timing Adjust, Address 0x27[1:0] section and the CTA[2:0], Chroma Timing Adjust, Address 0x27[5:3] section.

When AUTO_PDC_EN is 1 (default), the ADV7180 automatically determines the LTA and CTA values to have luma and chroma aligned at the output.

LTA[1:0], Luma Timing Adjust, Address 0x27[1:0]

The luma timing adjust register allows the user to specify a timing difference between chroma and luma samples.

There is a functionality overlap with the CTA[2:0] register. For manual programming, use the following defaults:

- CVBS input LTA[1:0] = 00
- Y/C input LTA[1:0] = 01
- YPrPb input LTA[1:0] = 01

Table 62. LTA Function

| LTA[1:0] | Description |
|--------------|----------------------------|
| 00 (default) | No delay |
| 01 | Luma 1 clock (37 ns) late |
| 10 | Luma 2 clock (74 ns) early |
| 11 | Luma 1 clock (37 ns) early |

CTA[2:0], Chroma Timing Adjust, Address 0x27[5:3]

The chroma timing adjust register allows the user to specify a timing difference between chroma and luma samples. This can be used to compensate for external filter group delay differences in the luma vs. chroma path and to allow a different number of pipeline delays while processing the video downstream. Review this functionality together with the LTA[1:0] register.

The chroma can be delayed or advanced only in chroma pixel steps. One chroma pixel step is equal to two luma pixels. The programmable delay occurs after demodulation, where delay cannot be made by luma pixel steps.

For manual programming, use the following defaults:

- CVBS input CTA[2:0] = 011
- Y/C input CTA[2:0] = 101
- YPrPb input CTA[2:0] = 110

Table 63. CTA Function

| CTA[2:0] | Description |
|---------------|------------------------------|
| 000 | Not a valid setting |
| 001 | Chroma + two pixels (early) |
| 010 | Chroma + one pixel (early) |
| 011 (default) | No delay |
| 100 | Chroma – one pixel (late) |
| 101 | Chroma – two pixels (late) |
| 110 | Chroma – three pixels (late) |
| 111 | Not a valid setting |

SYNCHRONIZATION OUTPUT SIGNALS

HS Configuration

The following controls allow the user to configure the behavior of the HS output pin only:

- Beginning of HS signal via HSB[10:0]
- End of HS signal via HSE[10:0]
- Polarity of HS using PHS

The HS begin (HSB) and HS end (HSE) registers allow the user to freely position the HS output (pin) within the video line. The values in HSB[10:0] and HSE[10:0] are measured in pixel units from the falling edge of HS. Using both values, the user can program both the position and length of the HS output signal.

HSB[10:0], HS Begin, Address 0x34[6:4], Address 0x35[7:0]

The position of this edge is controlled by placing a binary number into HSB[10:0]. The number applied offsets the edge with respect to an internal counter that is reset to 0 immediately after EAV Code FF, 00, 00, XY (see Figure 35). HSB is set to 00000000010b, which is two LLC clock cycles from count [0].

The default value of HSB[10:0] is 0x02, indicating that the HS pulse starts two pixels after the falling edge of HS.

HSE[10:0], HS End, Address 0x34[2:0], Address 0x36[7:0]

The position of this edge is controlled by placing a binary number into HSE[10:0]. The number applied offsets the edge with respect to an internal counter that is reset to 0 immediately after EAV Code FF, 00, 00, XY (see Figure 35). HSE is set to 00000000000b, which is 0 LLC clock cycles from count [0].

The default value of HSE[10:0] is 00, indicating that the HS pulse ends 0 pixels after the falling edge of HS.

For example,

- To shift the HS toward active video by 20 LLCs, add 20 LLCs to both HSB and HSE, that is, HSB[10:0] = [00000010110], HSE[10:0] = [00000010100].
- To shift the HS away from active video by 20 LLCs, add 1696 LLCs to both HSB and HSE (for NTSC), that is, HSB[10:0] = [11010100010], HSE[10:0] = [11010100000]. Therefore, 1696 is derived from the NTSC total number of pixels, 1716.
- To move 20 LLCs away from active video, subtract 20 from 1716 and add the result in binary to both HSB[10:0] and HSE[10:0].

PHS, Polarity HS, Address 0x37[7]

The polarity of the HS pin can be inverted using the PHS bit.

When PHS is 0 (default), HS is active low.

When PHS is 1, HS is active high.

Table 64. HS Timing Parameters (See Figure 35)

| Standard | Characteristic | | | | |
|----------|-------------------------------------|-----------------------------------|---|--|--|
| | HS Begin Adjust HSB[10:0] (Default) | HS End Adjust HSE[10:0] (Default) | HS to Active Video LLC Clock Cycles, C in Figure 35 (Default) | Active Video Samples/ Line, D in Figure 35 | Total LLC Clock Cycles, E in Figure 35 |
| NTSC | 00000000010b | 00000000000b | 272 | 720Y + 720C = 1440 | 1716 |
| PAL | 00000000010b | 00000000000b | 284 | 720Y + 720C = 1440 | 1728 |

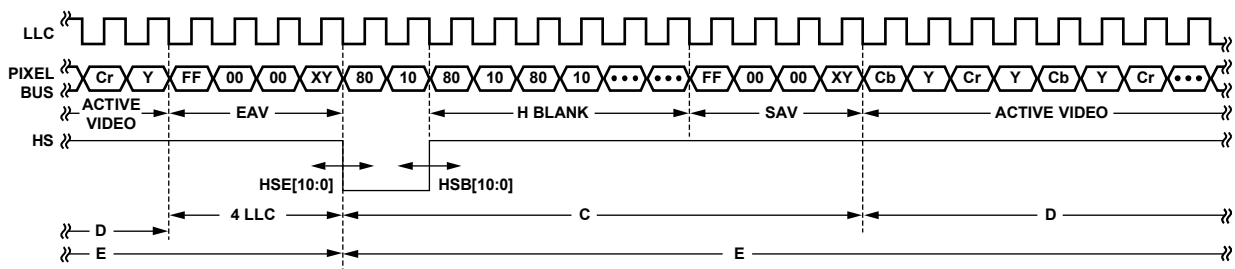


Figure 35. HS Timing

05700-028

VS and FIELD Configuration

The following controls allow the user to configure the behavior of the VS and FIELD output pins, as well as the generation of embedded AV codes.

The 64-lead LQFP has separate VS and FIELD pins. The 48-lead LQFP, 40-lead LFCSP, and 32-lead LFCSP do not have separate VS and FIELD pins but can output either VS or FIELD on Pin 45 (48-lead LQFP), Pin 37 (40-lead LFCSP), or Pin 31 (32-lead LFCSP), which is the VS/FIELD pin.

SQPE, Square Pixel Mode, Address 0x01[2]

The SQPE bit allows the user to select the square pixel mode. This mode is not suitable for poor time-based video sources. This mode is recommended for professional applications only and should not be used with VCR or tuner sources.

Setting SQPE to 1 enables square pixel mode. The LLC for NTSC is 24.5454 MHz and 29.5 MHz for PAL. The crystal frequency does not change.

VS/FIELD, Address 0x58[0]

This feature is used for the 48-lead LQFP, 40-lead LFCSP, and 32-lead LFCSP only. The polarity of this bit determines what signal appears on the VS/FIELD pin.

When this bit is set to 0 (default), the FIELD signal is output.

When this bit is set to 1, the VSYNC signal is output.

The 64-lead LQFP has dedicated FIELD and VSYNC pins.

ADV encoder-compatible signals via the NEWAVMODE register follow:

- PVS, PF
- HVSTIM
- VSBHO, VSBHE
- VSEHO, VSEHE

For NTSC control,

- NVBEGDELO, NVBEGDELE, NVBEGSIGN, NVBEG[4:0]
- NVENDDELO, NVENDDELE, NVENDSIGN, NVEND[4:0]
- NFTOGDELO, NFTOGDELE, NFTOGSIGN, NFTOG[4:0]

For PAL control,

- PVBEGDELO, PVBEGDELE, PVBEGSIGN, PVBEG[4:0]
- PVENDDELO, PVENDDELE, PVENDSIGN, PVEND[4:0]
- PFTOGDELO, PFTOGDELE, PFTOGSIGN, PFTOG[4:0]

NEWAVMODE, New AV Mode, Address 0x31[4]

When NEWAVMODE is 0, EAV/SAV codes are generated to suit Analog Devices encoders. No adjustments are possible.

Setting NEWAVMODE to 1 (default) enables the manual position of the VSYNC, FIELD, and AV codes using Register 0x32 to Register 0x33 and Register 0xE5 to Register 0xEA. Default register settings are CCIR656 compliant; see Figure 36 for NTSC and Figure 41 for PAL. For recommended manual user settings, see Table 65 and Figure 37 for NTSC and Table 66 and Figure 42 for PAL.

HVSTIM, Horizontal VS Timing, Address 0x31[3]

The HVSTIM bit allows the user to select where the VS signal is asserted within a line of video. Some interface circuitry may require VS to go low while HS is low.

When HVSTIM is 0 (default), the start of the line is relative to HSE.

When HVSTIM is 1, the start of the line is relative to HSB.

VSBHO, VS Begin Horizontal Position Odd, Address 0x32[7]

The VSBHO and VSBHE bits select the position within a line at which the VS pin (not the bit in the AV code) becomes active. Some follow-on chips require the VS pin to change state only when HS is high or low.

When VSBHO is 0 (default), the VS pin goes high in the middle of a line of video (odd field).

When VSBHO is 1, the VS pin changes state at the start of a line (odd field).

VSBHE, VS Begin Horizontal Position Even, Address 0x32[6]

The VSBHO and VSBHE bits select the position within a line at which the VS pin (not the bit in the AV code) becomes active. Some follow-on chips require the VS pin to only change state when HS is high or low.

When VSBHE is 0 (default), the VS pin goes high in the middle of a line of video (even field).

When VSBHE is 1, the VS pin changes state at the start of a line (even field).

VSEHO, VS End Horizontal Position Odd, Address 0x33[7]

The VSEHO and VSEHE bits select the position within a line at which the VS pin (not the bit in the AV code) becomes active. Some follow-on chips require the VS pin to change state only when HS is high or low.

When VSEHO is 0 (default), the VS pin goes low (inactive) in the middle of a line of video (odd field).

When VSEHO is 1, the VS pin changes state at the start of a line (odd field).

VSEHE, VS End Horizontal Position Even, Address 0x33[6]

The VSEHO and VSEHE bits select the position within a line at which the VS pin (not the bit in the AV code) becomes active. Some follow-on chips require the VS pin to change state only when HS is high or low.

When VSEHE is 0 (default), the VS pin goes low (inactive) in the middle of a line of video (even field).

When VSEHE is 1, the VS pin changes state at the start of a line (even field).

PVS, Polarity VS, Address 0x37[5]

The polarity of the VS pin can be inverted using the PVS bit.

When PVS is 0 (default), VS is active high.

When PVS is 1, VS is active low.

PF, Polarity FIELD, Address 0x37[3]

The polarity of the FIELD pin for the 64-lead LQFP part can be inverted using the PF bit.

The FIELD pin can be inverted using the PF bit.

When PF is 0 (default), FIELD is active high.

When PF is 1, FIELD is active low.

Table 65. User Settings for NTSC (See Figure 37)

| Register | Register Name | Write |
|----------|-----------------------|-------|
| 0x31 | VS/FIELD Control 1 | 0x1A |
| 0x32 | VS/FIELD Control 2 | 0x81 |
| 0x33 | VS/FIELD Control 3 | 0x84 |
| 0x34 | HS Position Control 1 | 0x00 |
| 0x35 | HS Position Control 2 | 0x00 |
| 0x36 | HS Position Control 3 | 0x7D |
| 0x37 | Polarity | 0xA1 |
| 0xE5 | NTSV V bit begin | 0x41 |
| 0xE6 | NTSC V bit end | 0x84 |
| 0xE7 | NTSC F bit toggle | 0x06 |

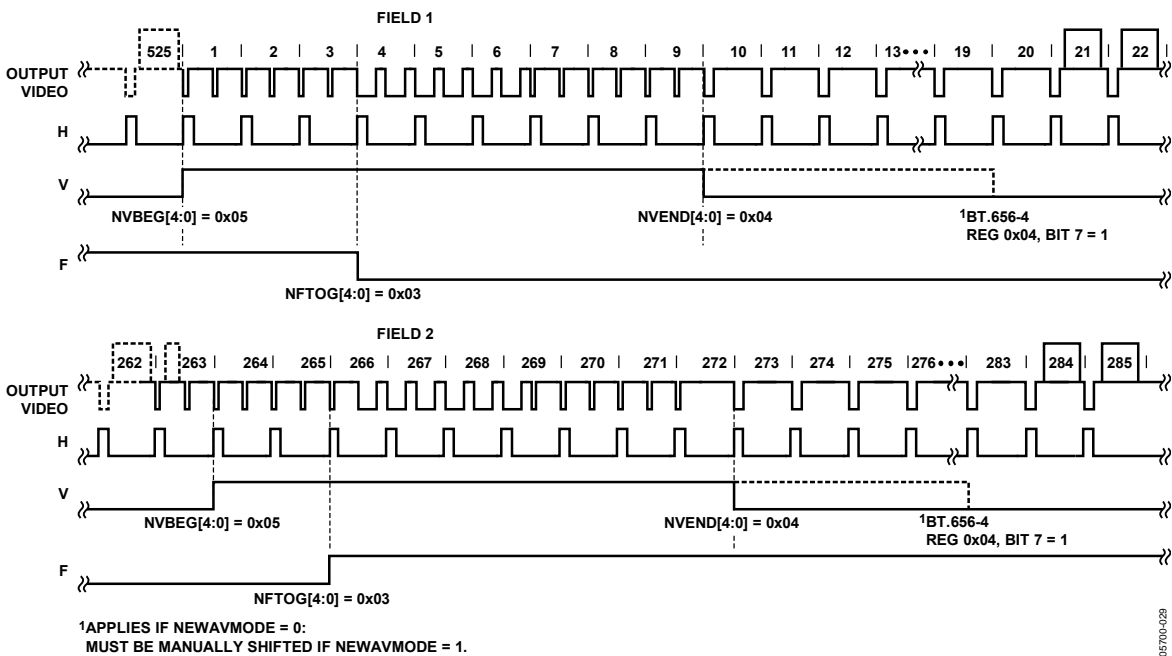


Figure 36. NTSC Default, ITU-R BT.656 (the Polarity of H, V, and F is Embedded in the Data)

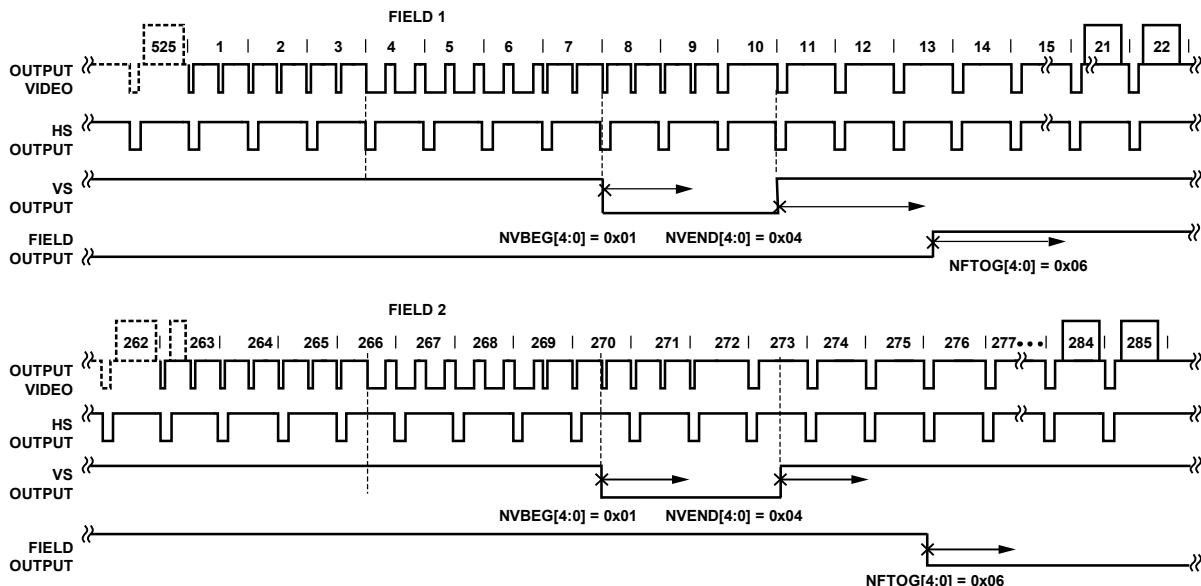


Figure 37. NTSC Typical VSYNC/FIELD Positions Using the Register Writes in Table 65

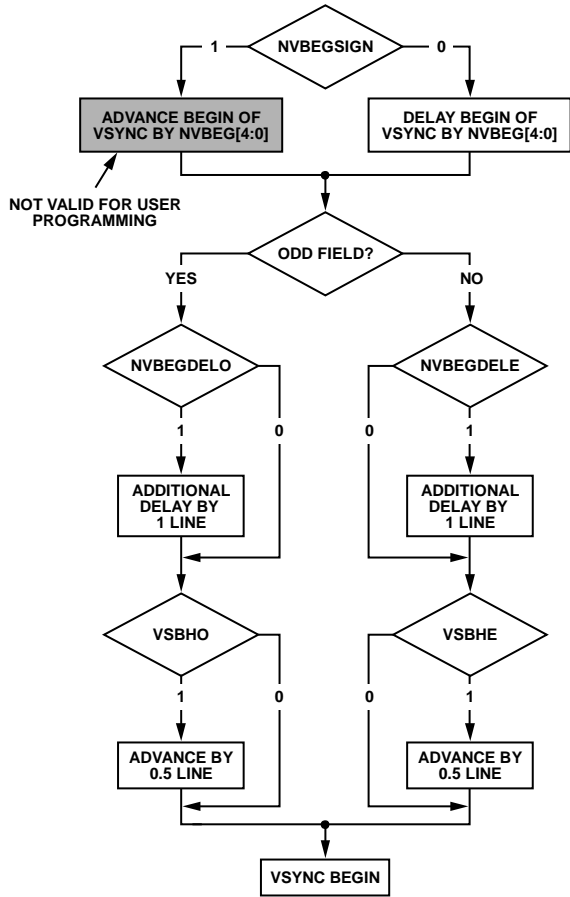


Figure 38. NTSC VSYNC Begin

NVBEGDELO, NTSC VSYNC Begin Delay on Odd Field, Address 0xE5[7]

When NVBEGDELO is 0 (default), there is no delay.
 Setting NVBEGDELO to 1 delays VSYNC going high on an odd field by a line relative to NVBEG.

NVBEGDELE, NTSC VSYNC Begin Delay on Even Field, Address 0xE5[6]

When NVBEGDELE is 0 (default), there is no delay.
 Setting NVBEGDELE to 1 delays VSYNC going high on an even field by a line relative to NVBEG.

NVBEGSIGN, NTSC VSYNC Begin Sign, Address 0xE5[5]

Setting NVBEGSIGN to 0 delays the start of VSYNC. Set for user manual programming.

Setting NVBEGSIGN to 1 (default) advances the start of VSYNC (not recommended for user programming).

NVBEG[4:0], NTSC VSYNC Begin, Address 0xE5[4:0]

The default value of NVBEG is 00101, indicating the NTSC VSYNC begin position.

For all NTSC/PAL VSYNC timing controls, both the V bit in the AV code and the VSYNC signal on the VS pin are modified.

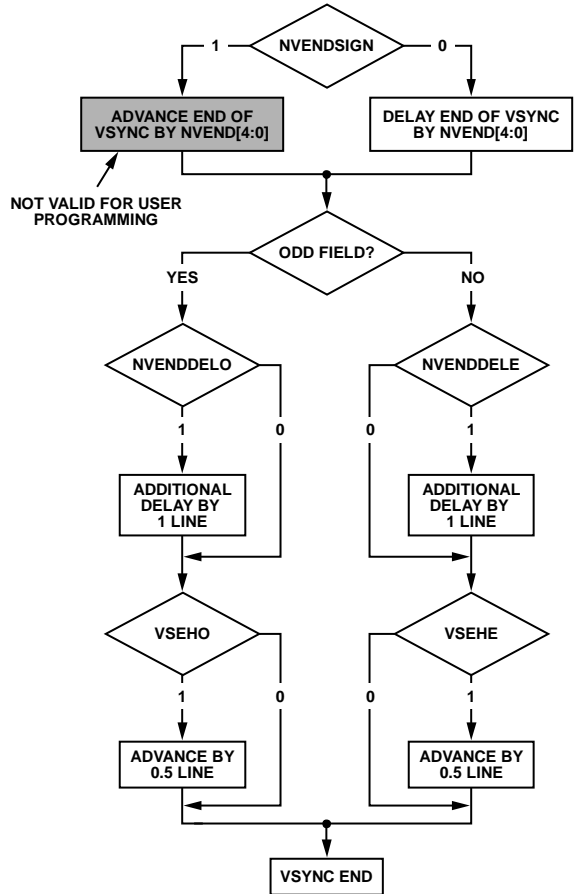


Figure 39. NTSC VSYNC End

NVENDDELO, NTSC VSYNC End Delay on Odd Field, Address 0xE6[7]

When NVENDDELO is 0 (default), there is no delay.
 Setting NVENDDELO to 1 delays VSYNC from going low on an odd field by a line relative to NVEND.

NVENDDELE, NTSC VSYNC End Delay on Even Field, Address 0xE6[6]

When NVENDDELE is set to 0 (default), there is no delay.
 Setting NVENDDELE to 1 delays VSYNC from going low on an even field by a line relative to NVEND.

NVENDSIGN, NTSC VSYNC End Sign, Address 0xE6[5]

Setting NVENDSIGN to 0 (default) delays the end of VSYNC. Set for user manual programming.

Setting NVENDSIGN to 1 advances the end of VSYNC (not recommended for user programming).

NVEND[4:0], NTSC VSYNC End, Address 0xE6[4:0]

The default value of NVEND is 00100, indicating the NTSC VSYNC end position.

For all NTSC/PAL VSYNC timing controls, both the V bit in the AV code and the VSYNC signal on the VS pin are modified.

NFTOGDELO, NTSC FIELD Toggle Delay on Odd Field, Address 0xE7[7]

When NFTOGDELO is 0 (default), there is no delay.

Setting NFTOGDELO to 1 delays the field toggle/transition on an odd field by a line relative to NFTOG.

NFTOGDELE, NTSC Field Toggle Delay on Even Field, Address 0xE7[6]

When NFTOGDELE is 0, there is no delay.

Setting NFTOGDELE to 1 (default) delays the field toggle/transition on an even field by a line relative to NFTOG.

NFTOGSIGN, NTSC Field Toggle Sign, Address 0xE7[5]

Setting NFTOGSIGN to 0 delays the field transition. Set for user manual programming.

Setting NFTOGSIGN to 1 (default) advances the field transition (not recommended for user programming).

NFTOG[4:0], NTSC Field Toggle, Address 0xE7[4:0]

The default value of NFTOG is 00011, indicating the NTSC field toggle position.

For all NTSC/PAL field timing controls, both the F bit in the AV code and the field signal on the FIELD pin are modified.

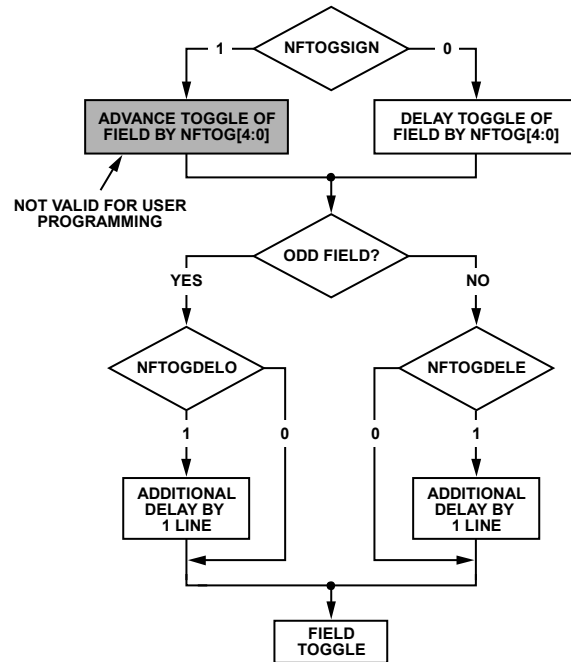


Figure 40. NTSC FIELD Toggle

05700-033

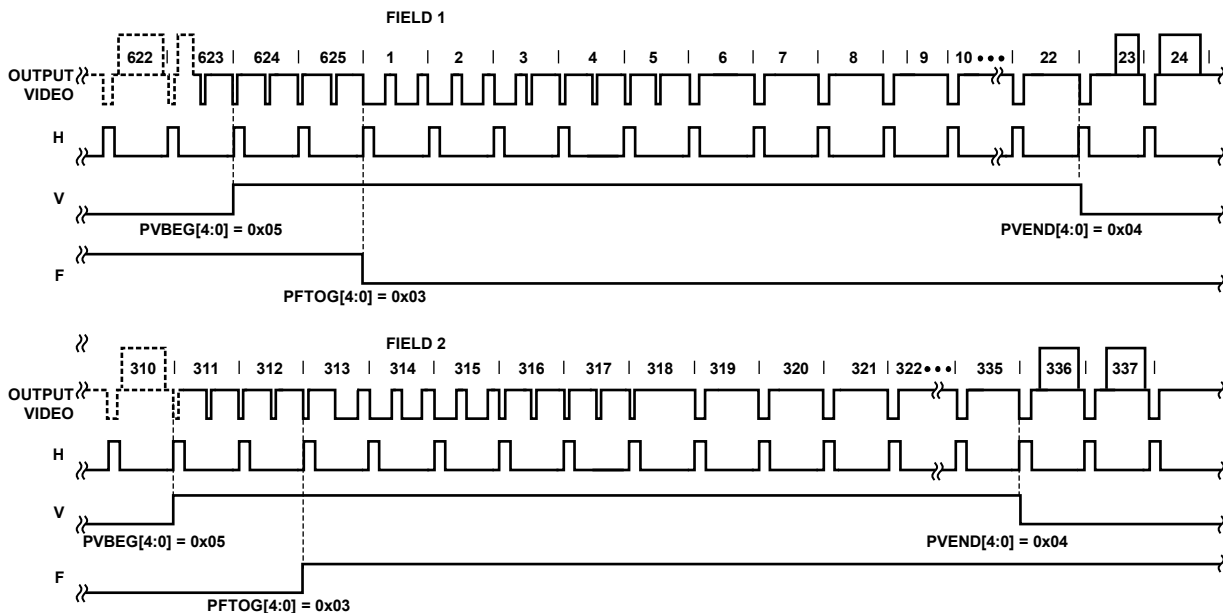


Figure 41. PAL Default, ITU-R BT.656 (the Polarity of H, V, and F Is Embedded in the Data)

05700-034

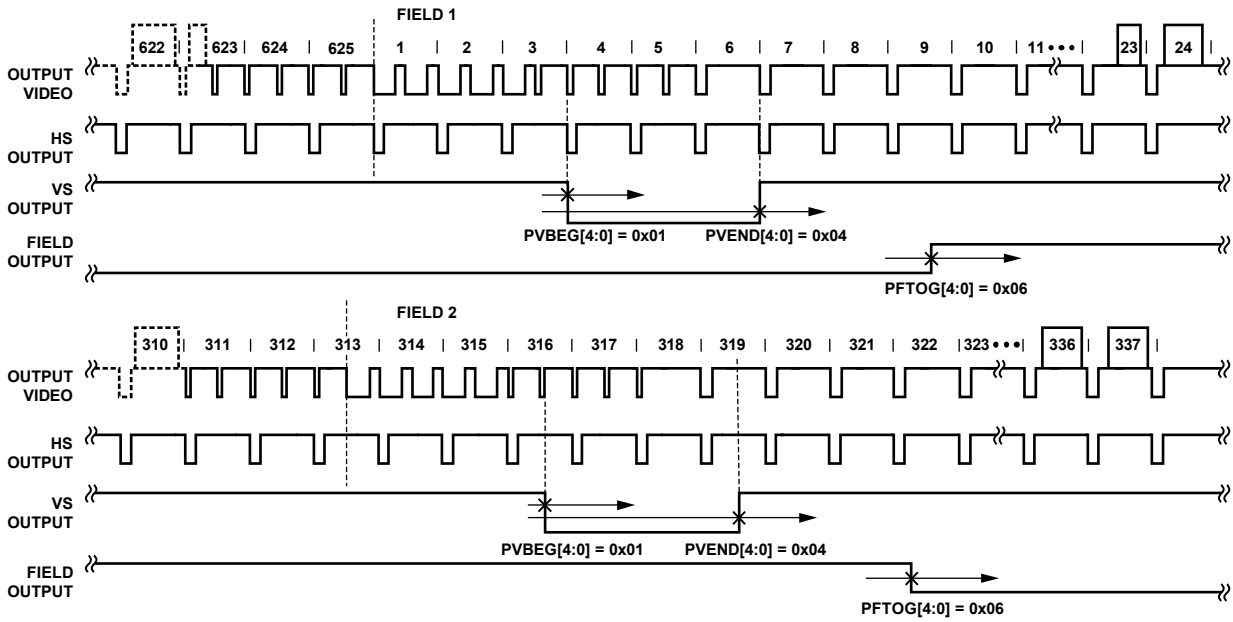


Figure 42. PAL Typical VS/FIELD Positions Using the Register Writes Shown in Table 66

05700-035

Table 66. User Settings for PAL (See Figure 42)

| Register | Register Name | Write |
|----------|-----------------------|-------|
| 0x31 | VS/FIELD Control 1 | 0x1A |
| 0x32 | VS/FIELD Control 2 | 0x81 |
| 0x33 | VS/FIELD Control 3 | 0x84 |
| 0x34 | HS Position Control 1 | 0x00 |
| 0x35 | HS Position Control 2 | 0x00 |
| 0x36 | HS Position Control 3 | 0x7D |
| 0x37 | Polarity | 0xA1 |
| 0xE8 | PAL V bit begin | 0x41 |
| 0xE9 | PAL V bit end | 0x84 |
| 0xEA | PAL F bit toggle | 0x06 |

PVBEG[4:0], PAL VSYNC Begin, Address 0xE8[4:0]

The default value of PVBEG is 00101, indicating the PAL VSYNC begin position. For all NTSC/PAL VSYNC timing controls, the V bit in the AV code and the VSYNC signal on the VS pin are modified.

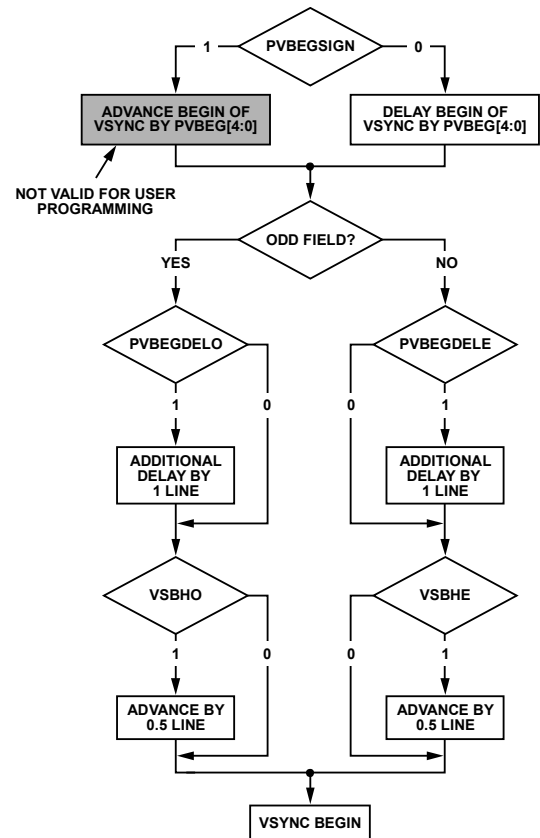


Figure 43. PAL VSYNC Begin

05700-036

PVBEGDELO, PAL VSYNC Begin Delay on Odd Field, Address 0xE8[7]

When PVBEGDELO is 0 (default), there is no delay. Setting PVBEGDELO to 1 delays VSYNC going high on an odd field by a line relative to PVBEG.

PVBEGDELE, PAL VSYNC Begin Delay on Even Field, Address 0xE8[6]

When PVBEGDELE is 0, there is no delay. Setting PVBEGDELE to 1 (default) delays VSYNC going high on an even field by a line relative to PVBEG.

PVBEGSIGN, PAL VSYNC Begin Sign, Address 0xE8[5]

Setting PVBEGSIGN to 0 delays the beginning of VSYNC. Set for user manual programming.

Setting PVBEGSIGN to 1 (default) advances the beginning of VSYNC (not recommended for user programming).

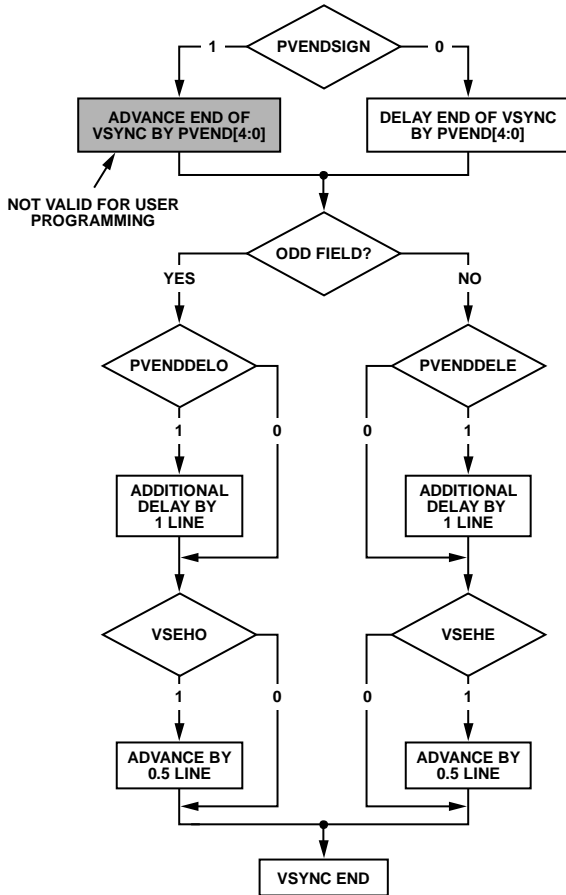


Figure 44. PAL VSYNC End

05700-037

PVENDDELO, PAL VSYNC End Delay on Odd Field, Address 0xE9[7]

When PVENDDELO is 0 (default), there is no delay. Setting PVENDDELO to 1 delays VSYNC going low on an odd field by a line relative to PVEND.

PVENDDELE, PAL VSYNC End Delay on Even Field, Address 0xE9[6]

When PVENDDELE is 0 (default), there is no delay. Setting PVENDDELE to 1 delays VSYNC going low on an even field by a line relative to PVEND.

PVENDSIGN, PAL VSYNC End Sign, Address 0xE9[5]

Setting PVENDSIGN to 0 (default) delays the end of VSYNC (set for user manual programming).

Setting PVENDSIGN to 1 advances the end of VSYNC (not recommended for user programming).

PVEND[4:0], PAL VSYNC End, Address 0xE9[4:0]

The default value of PVEND is 10100, indicating the PAL VSYNC end position.

For all NTSC/PAL VSYNC timing controls, both the V bit in the AV code and the VSYNC signal on the VS pin are modified.

PFTOGDELO, PAL Field Toggle Delay on Odd Field, Address 0xEA[7]

When PFTOGDELO is 0 (default), there is no delay. Setting PFTOGDELO to 1 delays the F toggle/transition on an odd field by a line relative to PFTOG.

PFTOGDELE, PAL Field Toggle Delay on Even Field, Address 0xEA[6]

When PFTOGDELE is 0, there is no delay. Setting PFTOGDELE to 1 (default) delays the F toggle/transition on an even field by a line relative to PFTOG.

PFTOGSIGN, PAL Field Toggle Sign, Address 0xEA[5]

Setting PFTOGSIGN to 0 delays the field transition. Set for user manual programming.

Setting PFTOGSIGN to 1 (default) advances the field transition (not recommended for user programming).

PFTOG, PAL Field Toggle, Address 0xEA[4:0]

The default value of PFTOG is 00011, indicating the PAL field toggle position.

For all NTSC/PAL field timing controls, the F bit in the AV code and the field signal on the FIELD pin are modified.

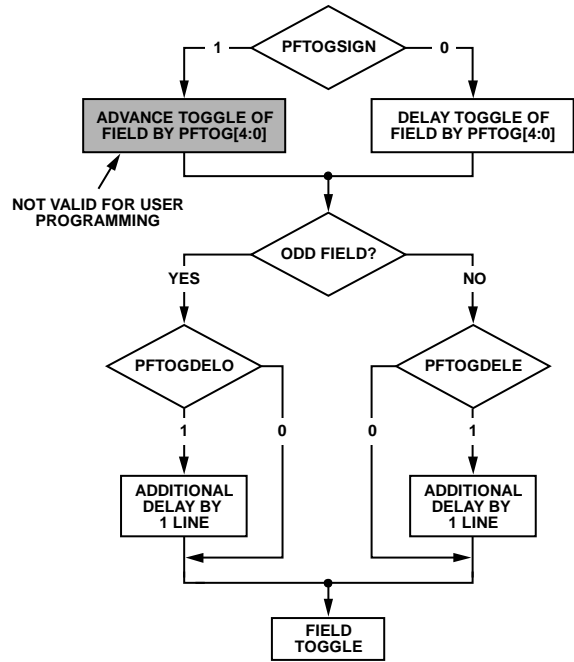


Figure 45. PAL F Toggle

05700-038

SYNC PROCESSING

The ADV7180 has two additional sync processing blocks that postprocess the raw synchronization information extracted from the digitized input video. If desired, the blocks can be disabled via the following two I²C bits: ENHSPLL and ENVSPROC.

ENHSPLL, Enable HSYNC Processor, Address 0x01[6]

The HSYNC processor is designed to filter incoming HSYNCs that have been corrupted by noise, providing improved performance for video signals with stable time bases but poor SNR.

Setting ENHSPLL to 0 disables the HSYNC processor.

Setting ENHSPLL to 1 (default) enables the HSYNC processor.

ENVSPROC, Enable VSYNC Processor, Address 0x01[3]

This block provides extra filtering of the detected VSYNCs to improve vertical lock.

Setting ENVSPROC to 0 disables the VSYNC processor.

Setting ENVSPROC to 1 (default) enables the VSYNC processor.

VBI DATA DECODE

The following are the two VBI data slicers on the ADV7180: the VBI data processor (VDP) and the VBI System 2.

The VDP can slice both low bandwidth standards and high bandwidth standards such as teletext. VBI System 2 can slice low data rate VBI standards only.

The VDP is capable of slicing multiple VBI data standards on SD video. It decodes the VBI data on the incoming CVBS and Y/C or YUV data. The decoded results are available as ancillary data in output 656 data stream. For low data rate VBI standards like CC/WSS/CGMS, users can read the decoded data bytes from the I²C registers.

The VBI data standards that can be decoded by the VDP are listed in Table 67 and Table 68.

Table 67. PAL

| Feature | Standard |
|-------------------------------------|------------------------------------|
| Teletext System A, C, or D | ITU-R BT.653 |
| Teletext System B/WST | ITU-R BT.653 |
| Video Programming System (VPS) | ETSI EN 300 231 V 1.3.1 |
| Vertical Interval Time Codes (VITC) | Not applicable |
| Wide Screen Signaling (WSS) | ITU-R BT.1119-1/ ETSI EN.300294 |
| Closed Captioning (CCAP) | Not applicable |

Table 68. NTSC

| Feature | Standard |
|--|--------------------------|
| Teletext System B and D | ITU-R BT.653 |
| Teletext System C/NABTS | ITU-R BT.653/EIA-516 |
| Vertical Interval Time Codes (VITC) | Not applicable |
| Copy Generation Management System (CGMS) | EIA-J CPR-1204/IEC 61880 |
| Gemstar | Not applicable |
| Closed Captioning (CCAP) | EIA-608 |

The VBI data standard that the VDP decodes on a particular line of incoming video has been set by default as described in Table 69. This can be overridden manually and any VBI data can be decoded on any line. The details of manual programming are described in Table 70.

VDP Default Configuration

The VDP can decode different VBI data standards on a line-to-line basis. The various standards supported by default on different lines of VBI are explained in Table 69.

VDP Manual Configuration

MAN_LINE_PGM, Enable Manual Line Programming of VBI Standards, Address 0x64[7], User Sub Map

The user can configure the VDP to decode different standards on a line-to-line basis through manual line programming. For this, the user must set the MAN_LINE_PGM bit. The user must write into all the line programming registers, VBI_DATA_Px_Ny and VBI_DATA_Px (see Register 0x64 to Register 0x77 in Table 108).

When MAN_LINE_PGM to 0 (default) is set, the VDP decodes default standards on lines, as shown in Table 69.

When MAN_LINE_PGM to 1 is set, the VBI standards to be decoded are manually programmed.

VBI_DATA_Px_Ny[3:0], VBI_DATA_Px[3:0], VBI Standard to be Decoded on Line X for PAL, Line Y for NTSC, Address 0x64 to Address 0x77, User Sub Map

These are related 4-bit clusters in Register 0x64 to Register 0x77 of the user sub map. These 4-bit, line programming registers, VBI_DATA_Px_Ny and VBI_DATA_Px, identify the VBI data standard that are decoded on Line X in PAL mode or on Line Y in NTSC mode. The different types of VBI standards decoded by VBI_DATA_Px_Ny and VBI_DATA_Px are shown in Table 70. Note that the X or Y value depends on whether the ADV7180 is in PAL or NTSC mode.

Table 69. Default Standards on Lines for PAL and NTSC

| PAL—625/50 | | | | NTSC—525/60 | | | |
|---------------------|--------------------------|-----------------------|--------------------------|---------------------|--------------------------|-----------------------|--------------------------|
| Line No. | Default VBI Data Decoded | Line No. | Default VBI Data Decoded | Line No. | Default VBI Data Decoded | Line No. | Default VBI Data Decoded |
| 6 | WST | 318 | VPS | 23 | Gemstar_1x | 286 | Gemstar_1x |
| 7 | WST | 319 | WST | 24 | Gemstar_1x | 287 | Gemstar_1x |
| 8 | WST | 320 | WST | 25 | Gemstar_1x | 288 | Gemstar_1x |
| 9 | WST | 321 | WST | 10 | NABTS | 272 | NABTS |
| 10 | WST | 322 | WST | 11 | NABTS | 273 | NABTS |
| 11 | WST | 323 | WST | 12 | NABTS | 274 | NABTS |
| 12 | WST | 324 | WST | 13 | NABTS | 275 | NABTS |
| 13 | WST | 325 | WST | 14 | VITC | 276 | NABTS |
| 14 | WST | 326 | WST | 15 | NABTS | 277 | VITC |
| 15 | WST | 327 | WST | 16 | VITC | 278 | NABTS |
| 16 | VPS | 328 | WST | 17 | NABTS | 279 | VITC |
| 17 | N/A | 329 | VPS | 18 | NABTS | 280 | NABTS |
| 18 | N/A | 332 | VITC | 19 | NABTS | 281 | NABTS |
| 19 | VITC | 333 | WST | 20 | CGMS | 282 | NABTS |
| 20 | WST | 334 | WST | 21 | CCAP | 283 | CGMS |
| 21 | WST | 335 | CCAP | 22 + full odd field | NABTS | 284 | CCAP |
| 22 | CCAP | 336 | WST | | | 285 + full even field | NABTS |
| 23 | WSS | 337 + full even field | WST | | | | |
| 24 + full odd field | WST | | | | | | |

Table 70. VBI Data Standards for Manual Configuration

| VBI_DATA_Px_Ny | 625/50—PAL | 525/60—NTSC |
|----------------|---|---|
| 0000 | Disable VDP | Disable VDP |
| 0001 | Teletext system identified by VDP_TTXT_TYPE | Teletext system identified by VDP_TTXT_TYPE |
| 0010 | VPS-ETSI EN 300 231 V 1.3.1 | Reserved |
| 0011 | VITC | VITC |
| 0100 | WSS ITU-R BT.1119-1/ETSI.EN.300294 | CGMS EIA-J CPR-1204/IEC 61880 |
| 0101 | Reserved | Gemstar_1x |
| 0110 | Reserved | Gemstar_2x |
| 0111 | CCAP | CCAP EIA-608 |
| 1000 to 1111 | Reserved | Reserved |

Table 71. VBI Data Standards to be Decoded on Line Px (PAL) or Line Ny (NTSC)

| Signal Name | Register Location | Dec Address | Hex Address |
|--------------------|-------------------|-------------|-------------|
| VBI_DATA_P6_N23 | VDP_LINE_00F[7:4] | 101 | 0x65 |
| VBI_DATA_P7_N24 | VDP_LINE_010[7:4] | 102 | 0x66 |
| VBI_DATA_P8_N25 | VDP_LINE_011[7:4] | 103 | 0x67 |
| VBI_DATA_P9 | VDP_LINE_012[7:4] | 104 | 0x68 |
| VBI_DATA_P10 | VDP_LINE_013[7:4] | 105 | 0x69 |
| VBI_DATA_P11 | VDP_LINE_014[7:4] | 106 | 0x6A |
| VBI_DATA_P12_N10 | VDP_LINE_015[7:4] | 107 | 0x6B |
| VBI_DATA_P13_N11 | VDP_LINE_016[7:4] | 108 | 0x6C |
| VBI_DATA_P14_N12 | VDP_LINE_017[7:4] | 109 | 0x6D |
| VBI_DATA_P15_N13 | VDP_LINE_018[7:4] | 110 | 0x6E |
| VBI_DATA_P16_N14 | VDP_LINE_019[7:4] | 111 | 0x6F |
| VBI_DATA_P17_N15 | VDP_LINE_01A[7:4] | 112 | 0x70 |
| VBI_DATA_P18_N16 | VDP_LINE_01B[7:4] | 113 | 0x71 |
| VBI_DATA_P19_N17 | VDP_LINE_01C[7:4] | 114 | 0x72 |
| VBI_DATA_P20_N18 | VDP_LINE_01D[7:4] | 115 | 0x73 |
| VBI_DATA_P21_N19 | VDP_LINE_01E[7:4] | 116 | 0x74 |
| VBI_DATA_P22_N20 | VDP_LINE_01F[7:4] | 117 | 0x75 |
| VBI_DATA_P23_N21 | VDP_LINE_020[7:4] | 118 | 0x76 |
| VBI_DATA_P24_N22 | VDP_LINE_021[7:4] | 119 | 0x77 |
| VBI_DATA_P318 | VDP_LINE_00E[3:0] | 100 | 0x64 |
| VBI_DATA_P319_N286 | VDP_LINE_00F[3:0] | 101 | 0x65 |
| VBI_DATA_P320_N287 | VDP_LINE_010[3:0] | 102 | 0x66 |
| VBI_DATA_P321_N288 | VDP_LINE_011[3:0] | 103 | 0x67 |
| VBI_DATA_P322 | VDP_LINE_012[3:0] | 104 | 0x68 |
| VBI_DATA_P323 | VDP_LINE_013[3:0] | 105 | 0x69 |
| VBI_DATA_P324_N272 | VDP_LINE_014[3:0] | 106 | 0x6A |
| VBI_DATA_P325_N273 | VDP_LINE_015[3:0] | 107 | 0x6B |
| VBI_DATA_P326_N274 | VDP_LINE_016[3:0] | 108 | 0x6C |
| VBI_DATA_P327_N275 | VDP_LINE_017[3:0] | 109 | 0x6D |
| VBI_DATA_P328_N276 | VDP_LINE_018[3:0] | 110 | 0x6E |
| VBI_DATA_P329_N277 | VDP_LINE_019[3:0] | 111 | 0x6F |
| VBI_DATA_P330_N278 | VDP_LINE_01A[3:0] | 112 | 0x70 |
| VBI_DATA_P331_N279 | VDP_LINE_01B[3:0] | 113 | 0x71 |
| VBI_DATA_P332_N280 | VDP_LINE_01C[3:0] | 114 | 0x72 |
| VBI_DATA_P333_N281 | VDP_LINE_01D[3:0] | 115 | 0x73 |
| VBI_DATA_P334_N282 | VDP_LINE_01E[3:0] | 116 | 0x74 |
| VBI_DATA_P335_N283 | VDP_LINE_01F[3:0] | 117 | 0x75 |
| VBI_DATA_P336_N284 | VDP_LINE_020[3:0] | 118 | 0x76 |
| VBI_DATA_P337_N285 | VDP_LINE_021[3:0] | 119 | 0x77 |

Note that full field detection (lines other than VBI lines) of any standard can also be enabled by writing into the VBI_DATA_P24_N22[3:0] and VBI_DATA_P337_N285[3:0] registers. So, if VBI_DATA_P24_N22[3:0] is programmed with any teletext standard, then teletext is decoded off for the entire odd field. The corresponding register for the even field is VBI_DATA_P337_N285[3:0].

For teletext system identification, VDP assumes that if teletext is present in a video channel, all the teletext lines comply with a single standard system. Therefore, the line programming using the VBI_DATA_Px_Ny and VBI_DATA_Px registers identifies whether the data in line is teletext; the actual standard is identified by the VDP_TTXXT_TYPE_MAN bit.

To program the VDP_TTXXT_TYPE_MAN bit, the VDP_TTXXT_TYPE_MAN_ENABLE bit must be set to 1.

VDP_TTXT_TYPE_MAN_ENABLE, Enable Manual Selection of Teletext Type, Address 0x60[2], User Sub Map

Setting VDP_TTXT_TYPE_MAN_ENABLE to 0 (default), the manual programming of the teletext type is disabled.

Setting VDP_TTXT_TYPE_MAN_ENABLE to 1, the manual programming of the teletext type is enabled.

VDP_TTXT_TYPE_MAN[1:0], Specify the Teletext Type, Address 0x60[1:0], User Sub Map

These bits specify the teletext type to be decoded. These bits are functional only if VDP_TTXT_TYPE_MAN_ENABLE is set to 1.

Table 72. VDP_TTXT_TYPE_MAN Function

| VDP_TTXT_TYPE_MAN[1:0] | 625/50 (PAL) | 525/60 (NTSC) |
|------------------------|------------------------------------|--|
| 00 (default) | Teletext-ITU-BT.653-625/50-A | Reserved |
| 01 | Teletext-ITU-BT.653-625/50-B (WST) | Teletext-ITU-BT.653-525/60-B |
| 10 | Teletext-ITU-BT.653-625/50-C | Teletext-ITU-BT.653-525/60-C or EIA516 (NABTS) |
| 11 | Teletext-ITU-BT.653-625/50-D | Teletext-ITU-BT.653-525/60-D |

VDP Ancillary Data Output

Reading the data back via I²C may not be feasible for VBI data standards with high data rates (for example, teletext). An alternative is to place the sliced data in a packet in the line blanking of the digital output CCIR656 stream. This is available for all standards sliced by the VDP module.

When data is sliced on a given line, the corresponding ancillary data packet is placed immediately after the next EAV code that occurs at the output (that is, data sliced from multiple lines are not buffered up and then emitted in a burst). Note that, due to the vertical delay through the comb filters, the line number on which the packet is placed differs from the line number on which the data was sliced.

The user can enable or disable the insertion of VDP results that have been decoded into the 656 ancillary streams by using the ADF_ENABLE bit.

ADF_ENABLE, Enable Ancillary Data Output Through 656 Stream, Address 0x62[7], User Sub Map

Setting ADF_ENABLE to 0 (default) disables the insertion of VBI decoded data into the ancillary 656 stream.

Setting ADF_ENABLE to 1 enables the insertion of VBI decoded data into the ancillary 656 stream.

The user may select the data identification word (DID) and the secondary data identification word (SDID) through programming the ADF_DID[4:0] and ADF_SDID[5:0] bits, respectively.

ADF_DID[4:0], User-Specified Data ID Word in Ancillary Data, Address 0x62[4:0], User Sub Map

This bit selects the data ID word to be inserted into the ancillary data stream with the data decoded by the VDP.

The default value of ADF_DID[4:0] is 10101.

ADF_SDID[5:0], User-Specified Secondary Data ID Word in Ancillary Data, Address 0x63[5:0], User Sub Map

These bits select the secondary data ID word to be inserted in the ancillary data stream with the data decoded by the VDP.

The default value of ADF_SDID[5:0] is 101010.

DUPLICATE_ADF, Enable Duplication/Spreading of Ancillary Data over Y and C Buses, Address 0x63[7], User Sub Map

This bit determines whether the ancillary data is duplicated over both Y and C buses or if the data packets are spread between the two channels.

When DUPLICATE_ADF to 0 (default) is set, the ancillary data packet is spread across the Y and C data streams.

When DUPLICATE_ADF to 1 is set, the ancillary data packet is duplicated on the Y and C data streams.

ADF_MODE[1:0], Determine the Ancillary Data Output Mode, Address 0x62[6:5], User Sub Map

These bits determine whether the ancillary data output mode is in byte mode or nibble mode.

Table 73. ADF_MODE

| ADF_MODE[1:0] | Description |
|---------------|---|
| 00 (default) | Nibble mode |
| 01 | Byte mode, no code restrictions |
| 10 | Byte mode, but 0x00 and 0xFF prevented (0x00 replaced by 0x01, 0xFF replaced by 0xFE) |
| 11 | Reserved |

The ancillary data packet sequence is explained in Table 74 and Table 75. The nibble output mode is the default mode of output from the ancillary stream when ancillary stream output is enabled. This format is in compliance with ITU-R BT.1364.

The following abbreviations are used in Table 74 and Table 75:

- EP—Even parity for Bit B8 to Bit B2. The parity bit's EP is set so that an even number of 1s are in Bit B8 to Bit B2, including the parity bit, D8.
- CS—Checksum word. The CS word is used to increase confidence of the integrity of the ancillary data packet from the DID, SDID, and DC through user data-words (UDWs). It consists of 10 bits that include the following: a 9-bit calculated value and B9 as the inverse of B8. The checksum value B8 to B0 is equal to the nine LSBs of the sum of the nine LSBs of the DID, SDID, and DC and all UDWs in the packet. Prior to the start of the checksum count cycle, all checksum and carry bits are preset to 0. Any carry resulting from the checksum count cycle is ignored.

- \overline{EP} —The MSB, B9, is the inverse of EP. This ensures that restricted Code 0x00 and Code 0xFF do not occur.
- LINE_NUMBER[9:0]—The line number of the line that immediately precedes the ancillary data packet. The line number is from the numbering system in ITU-R BT.470. The line number runs from 1 to 625 in a 625-line system and from 1 to 263 in a 525-line system. Note that, due to the vertical delay through the comb filters, the line number on which the packet is output differs from the line number on which the VBI data was sliced.
- Data count—The data count specifies the number of UDWs in the ancillary stream for the standard. The total number of user data-words is four times the data count. Padding words can be introduced to make the total number of UDWs divisible by 4.

Table 74. Ancillary Data in Nibble Output Format

| Byte | B9 | B8 | B7 | B6 | B5 | B4 | B3 | B2 | B1 | B0 | Description | |
|-------|-----------------|---------------|-------------------------------|------------------------------|-------------------|----|--------------------|----|---|--------------------------------|---|--|
| 0 | 0 | 0 | 0 | 0 | 0 | 0 | 0 | 0 | 0 | 0 | Ancillary data preamble | |
| 1 | 1 | 1 | 1 | 1 | 1 | 1 | 1 | 1 | 1 | 1 | | |
| 2 | 1 | 1 | 1 | 1 | 1 | 1 | 1 | 1 | 1 | 1 | | |
| 3 | \overline{EP} | EP | 0 | I ² C_DID6_2[4:0] | | | | 0 | 0 | DID (data identification word) | | |
| 4 | \overline{EP} | EP | I ² C_SDID7_2[5:0] | | | | 0 | 0 | SDID (secondary data identification word) | | | |
| 5 | \overline{EP} | EP | 0 | DC[4:0] | | | | 0 | 0 | Data count | | |
| 6 | \overline{EP} | EP | Padding[1:0] | | VBI_DATA_STD[3:0] | | | 0 | 0 | ID0 (User Data-Word 1) | | |
| 7 | \overline{EP} | EP | 0 | LINE_NUMBER[9:5] | | | | 0 | 0 | ID1 (User Data-Word 2) | | |
| 8 | \overline{EP} | EP | EVEN_FIELD | LINE_NUMBER[4:0] | | | | 0 | 0 | ID2 (User Data-Word 3) | | |
| 9 | \overline{EP} | EP | 0 | 0 | 0 | 0 | VDP_TTXX_TYPE[1:0] | 0 | 0 | ID3 (User Data-Word 4) | | |
| 10 | \overline{EP} | EP | 0 | 0 | VBI_WORD_1[7:4] | | | 0 | 0 | ID4 (User Data-Word 5) | | |
| 11 | \overline{EP} | EP | 0 | 0 | VBI_WORD_1[3:0] | | | 0 | 0 | ID5 (User Data-Word 6) | | |
| 12 | \overline{EP} | EP | 0 | 0 | VBI_WORD_2[7:4] | | | 0 | 0 | ID6 (User Data-Word 7) | | |
| 13 | \overline{EP} | EP | 0 | 0 | VBI_WORD_2[3:0] | | | 0 | 0 | ID7 (User Data-Word 8) | | |
| 14 | \overline{EP} | EP | 0 | 0 | VBI_WORD_3[7:4] | | | 0 | 0 | ID8 (User Data-Word 9) | | |
| | | | | | | | | | | | Pad 0x200; these padding words may be present, depending on ancillary data type; user data-word | |
| n - 3 | 1 | 0 | 0 | 0 | 0 | 0 | 0 | 0 | 0 | 0 | | |
| n - 2 | 1 | 0 | 0 | 0 | 0 | 0 | 0 | 0 | 0 | 0 | | |
| n - 1 | $\overline{B8}$ | Checksum (CS) | | | | | | | 0 | 0 | CS (checksum word) | |

Table 75. Ancillary Data in Byte Output Format¹

| Byte | B9 | B8 | B7 | B6 | B5 | B4 | B3 | B2 | B1 | B0 | Description | |
|-------|-----------------|----------|-------------------------------|------------------------------|-------------------|----|--------------------|----|------|------------------------|---|--|
| 0 | 0 | 0 | 0 | 0 | 0 | 0 | 0 | 0 | 0 | 0 | Ancillary data preamble | |
| 1 | 1 | 1 | 1 | 1 | 1 | 1 | 1 | 1 | 1 | 1 | | |
| 2 | 1 | 1 | 1 | 1 | 1 | 1 | 1 | 1 | 1 | 1 | | |
| 3 | \overline{EP} | EP | 0 | I ² C_DID6_2[4:0] | | | | 0 | 0 | DID | | |
| 4 | \overline{EP} | EP | I ² C_SDID7_2[5:0] | | | | 0 | 0 | SDID | | | |
| 5 | \overline{EP} | EP | 0 | DC[4:0] | | | | 0 | 0 | Data count | | |
| 6 | \overline{EP} | EP | Padding[1:0] | | VBI_DATA_STD[3:0] | | | 0 | 0 | ID0 (User Data-Word 1) | | |
| 7 | \overline{EP} | EP | 0 | LINE_NUMBER[9:5] | | | | 0 | 0 | ID1 (User Data-Word 2) | | |
| 8 | \overline{EP} | EP | EVEN_FIELD | LINE_NUMBER[4:0] | | | | 0 | 0 | ID2 (User Data-Word 3) | | |
| 9 | \overline{EP} | EP | 0 | 0 | 0 | 0 | VDP_TTXX_TYPE[1:0] | 0 | 0 | ID3 (User Data-Word 4) | | |
| 10 | VBI_WORD_1[7:0] | | | | | | | 0 | 0 | ID4 (User Data-Word 5) | | |
| 11 | VBI_WORD_2[7:0] | | | | | | | 0 | 0 | ID5 (User Data-Word 6) | | |
| 12 | VBI_WORD_3[7:0] | | | | | | | 0 | 0 | ID6 (User Data-Word 7) | | |
| 13 | VBI_WORD_4[7:0] | | | | | | | 0 | 0 | ID7 (User Data-Word 8) | | |
| 14 | VBI_WORD_5[7:0] | | | | | | | 0 | 0 | ID8 (User Data-Word 9) | | |
| | | | | | | | | | | | Pad 0x200; these padding words may be present, depending on ancillary data type; user data-word | |
| n - 3 | 1 | 0 | 0 | 0 | 0 | 0 | 0 | 0 | 0 | 0 | | |
| n - 2 | 1 | 0 | 0 | 0 | 0 | 0 | 0 | 0 | 0 | 0 | | |
| n - 1 | B8 | Checksum | | | | | | | 0 | 0 | CS (checksum word) | |

¹ This mode does not fully comply with ITU-R BT.1364.

Structure of VBI Words in the Ancillary Data Stream

Each VBI data standard has been split into a clock-run-in (CRI), a framing code (FC), and a number of data bytes (n). The data packet in the ancillary stream includes only the FC and data bytes. Table 76 shows the format of VBI_WORD_x in the ancillary data stream.

Table 76. Structure of VBI Data-Words in the Ancillary Stream

| Ancillary Data Byte No. | Byte Type | Description |
|-------------------------|-----------|-----------------------------------|
| VBI_WORD_1 | FC0 | Framing Code[23:16] |
| VBI_WORD_2 | FC1 | Framing Code[15:8] |
| VBI_WORD_3 | FC2 | Framing Code[7:0] |
| VBI_WORD_4 | DB1 | First data byte |
| ... | ... | ... |
| VBI_WORD_N + 3 | DBn | Last (n th) data byte |

VDP Framing Code

The length of the actual framing code depends on the VBI data standard. For uniformity, the length of the framing code reported in the ancillary data stream is always 24 bits. For standards with a smaller framing code length, the extra LSB bits are set to 0. The valid length of the framing code can be decoded from the VBI_DATA_STD bits available in ID0 (UDW 1). The framing code is always reported in the inverse-transmission order.

Table 77 shows the framing code and its valid length for VBI data standards supported by VDP.

Example

For teletext (B-WST), the framing code byte is 11100100 (0xE4), with bits shown in the order of transmission. VBI_WORD_1 = 0x27, VBI_WORD_2 = 0x00, and VBI_WORD_3 = 0x00 translated into UDWs in the ancillary data stream for nibble mode are as follows:

- UDW5[5:2] = 0010
- UDW6[5:2] = 0111
- UDW7[5:2] = 0000 (undefined bits set to 0)
- UDW8[5:2] = 0000 (undefined bits set to 0)
- UDW9[5:2] = 0000 (undefined bits set to 0)
- UDW10[5:2] = 0000 (undefined bits set to 0)

For byte mode,

- UDW5[9:2] = 0010_0111
- UDW6[9:2] = 0000_0000 (undefined bits set to 0)
- UDW7[9:2] = 0000_0000 (undefined bits set to 0)

Data Bytes

VBI_WORD_4 to VBI_WORD_N + 3 contain the data-words that were decoded by the VDP in the transmission order. The position of bits in bytes is in the inverse transmission order.

For example, closed captioning has two user data bytes, as shown in Table 82.

The data bytes in the ancillary data stream are as follows:

VBI_WORD_4 = Byte 1[7:0]

VBI_WORD_5 = Byte 2[7:0]

The number of VBI_WORDS for each VBI data standard and the total number of UDWs in the ancillary data stream is shown in Table 78.

Table 77. Framing Code Sequence for Different VBI Standards

| VBI Standard | Length in Bits | Error-Free Framing Code Bits (in Order of Transmission) | Error-Free Framing Code Reported by VDP (in Reverse Order of Transmission) |
|------------------------------|----------------|---|--|
| TTXT_SYSTEM_A (PAL) | 8 | 11100111 | 11100111 |
| TTXT_SYSTEM_B (PAL) | 8 | 11100100 | 00100111 |
| TTXT_SYSTEM_B (NTSC) | 8 | 11100100 | 00100111 |
| TTXT_SYSTEM_C (PAL and NTSC) | 8 | 11100111 | 11100111 |
| TTXT_SYSTEM_D (PAL and NTSC) | 8 | 11100101 | 10100111 |
| VPS (PAL) | 16 | 10001010100011001 | 1001100101010001 |
| VITC (NTSC and PAL) | 1 | 0 | 0 |
| WSS (PAL) | 24 | 000111100011110000011111 | 111110000011110001111000 |
| GEMSTAR_1× (NTSC) | 3 | 001 | 100 |
| GEMSTAR_2× (NTSC) | 11 | 1001_1011_101 | 101_1101_1001 |
| CCAP (NTSC and PAL) | 3 | 001 | 100 |
| CGMS (NTSC) | 1 | 0 | 0 |

Table 78. Total User Data-Words for Different VBI Standards¹

| VBI Standard | ADF Mode | Framing Code UDWs | VBI Data-Words | No. of Padding Words | Total UDWs |
|------------------------------|--------------------|-------------------|----------------|----------------------|------------|
| TTXT_SYSTEM_A (PAL) | 00 (nibble mode) | 6 | 74 | 0 | 84 |
| | 01, 10 (byte mode) | 3 | 37 | 0 | 44 |
| TTXT_SYSTEM_B (PAL) | 00 (nibble mode) | 6 | 84 | 2 | 96 |
| | 01, 10 (byte mode) | 3 | 42 | 3 | 52 |
| TTXT_SYSTEM_B (NTSC) | 00 (nibble mode) | 6 | 68 | 2 | 80 |
| | 01, 10 (byte mode) | 3 | 34 | 3 | 44 |
| TTXT_SYSTEM_C (PAL and NTSC) | 00 (nibble mode) | 6 | 66 | 0 | 76 |
| | 01, 10 (byte mode) | 3 | 33 | 2 | 42 |
| TTXT_SYSTEM_D (PAL and NTSC) | 00 (nibble mode) | 6 | 68 | 2 | 80 |
| | 01, 10 (byte mode) | 3 | 34 | 3 | 44 |
| VPS (PAL) | 00 (nibble mode) | 6 | 26 | 0 | 36 |
| | 01, 10 (byte mode) | 3 | 13 | 0 | 20 |
| VITC (NTSC and PAL) | 00 (nibble mode) | 6 | 18 | 0 | 28 |
| | 01, 10 (byte mode) | 3 | 9 | 0 | 16 |
| WSS (PAL) | 00 (nibble mode) | 6 | 4 | 2 | 16 |
| | 01, 10 (byte mode) | 3 | 2 | 3 | 12 |
| GEMSTAR_1× (NTSC) | 00 (nibble mode) | 6 | 4 | 2 | 16 |
| | 01, 10 (byte mode) | 3 | 2 | 3 | 12 |
| GEMSTAR_2× (NTSC) | 00 (nibble mode) | 6 | 8 | 2 | 20 |
| | 01, 10 (byte mode) | 3 | 4 | 1 | 12 |
| CCAP (NTSC and PAL) | 00 (nibble mode) | 6 | 4 | 2 | 16 |
| | 01, 10 (byte mode) | 3 | 2 | 3 | 12 |
| CGMS (NTSC) | 00 (nibble mode) | 6 | 6 | 0 | 16 |
| | 01, 10 (byte mode) | 3 | 3 + 3 | 2 | 12 |

¹ The first four UDWs are always the ID.

I²C Interface

Dedicated I²C readback registers are available for CCAP, CGMS, WSS, Gemstar, VPS, PDC/UTC, and VITC. Because teletext is a high data rate standard, data extraction is supported only through the ancillary data packet.

User Interface for I²C Readback Registers

The VDP decodes all enabled VBI data standards in real time. Because the I²C access speed is much lower than the decoded rate, when the registers are accessed, they may be updated with data from the next line. To avoid this, VDP has a self-clearing clear bit and an available (AVL) status bit accompanying all I²C readback registers.

The user must clear the I²C readback register by writing a high to the clear bit. This resets the state of the available bit to low and indicates that the data in the associated readback registers is not valid. After the VDP decodes the next line of the corresponding VBI data, the decoded data is placed into the I²C readback register and the available bit is set to high to indicate that valid data is now available.

Though the VDP decodes this VBI data in subsequent lines if present, the decoded data is not updated to the readback registers until the clear bit is set high again. However, this data is available through the 656 ancillary data packets.

The clear and available bits are in the VDP_STATUS_CLEAR (0x78, user sub map, write only) and VDP_STATUS (0x78, user sub map, read only) registers, respectively.

Example I²C Readback Procedure

The following tasks must be performed to read one packet (line) of PDC data from the decoder:

1. Write 10 to I²C_GS_VPS_PDC_UTC[1:0] (0x9C, user sub map) to specify that PDC data must be updated to I²C registers.
2. Write high to the GS_PDC_VPS_UTC_CLEAR bit (0x78, user sub map) to enable I²C register updating.
3. Poll the GS_PDC_VPS_UTC_AVL bit (0x78, user sub map) going high to check the availability of the PDC packets.
4. Read the data bytes from the PDC I²C registers. Repeat Step 1 to Step 3 to read another line or packet of data.

To read a packet of CCAP, CGMS, or WSS data, Step 1 to Step 3 are required only because they have dedicated registers.

VDP—Content-Based Data Update

For certain standards, such as WSS, CGMS, Gemstar, PDC, UTC, and VPS, the information content in the signal transmitted remains the same over numerous lines, and the user may want to be notified only when there is a change in the information content or loss of the information content. The user must enable content-based updating for the required standard through the GS_VPS_PDC_UTC_CB_CHANGE and WSS_CGMS_CB_CHANGE bits. Therefore, the available bit shows the availability of that standard only when its content has changed.

Content-based updating also applies to lines with lost data. Therefore, for standards like VPS, Gemstar, CGMS, and WSS, if no data arrives in the next four lines programmed, the corresponding available bit in the VDP_STATUS register is set high and the content in the I²C registers for that standard is set to 0. The user must write high to the corresponding clear bit so that when a valid line is decoded after some time, the decoded results are available in the I²C registers, with the available status bit set high.

If content-based updating is enabled, the available bit is set high (assuming the clear bit was written) in the following cases:

- The data contents have changed.
- Data was being decoded and four lines with no data have been detected.
- No data was being decoded and new data is now being decoded.

GS_VPS_PDC_UTC_CB_CHANGE, Enable Content-Based Updating for Gemstar/VPS/PDC/UTC, Address 0x9C[5], User Sub Map

Setting GS_VPS_PDC_UTC_CB_CHANGE to 0 disables content-based updating.

Setting GS_VPS_PDC_UTC_CB_CHANGE to 1 (default) enables content-based updating.

WSS_CGMS_CB_CHANGE, Enable Content-Based Updating for WSS/CGMS, Address 0x9C[4], User Sub Map

Setting WSS_CGMS_CB_CHANGE to 0 disables content-based updating.

Setting WSS_CGMS_CB_CHANGE to 1 (default) enables content-based updating.

VDP—Interrupt-Based Reading of VDP I²C Registers

Some VDP status bits are also linked to the interrupt request controller so that the user does not have to poll the available status bit. The user can configure the video decoder to trigger an interrupt request on the INTRQ pin in response to the valid data available in the I²C registers. This function is available for the following data types:

- CGMS or WSS. The user can select either triggering an interrupt request each time sliced data is available or triggering an interrupt request only when the sliced data has changed. Selection is made via the WSS_CGMS_CB_CHANGE bit.
- Gemstar, PDC, VPS, or UTC. The user can select to trigger an interrupt request each time sliced data is available or to trigger an interrupt request only when the sliced data has changed. Selection is made via the GS_VPS_PDC_UTC_CB_CHANGE bit.

The sequence for the interrupt-based reading of the VDP I²C data registers is as follows for the CCAP standard:

1. The user unmask the CCAP interrupt mask bit (Register 0x50, Bit 0, user sub map = 1). CCAP data occurs on the incoming video. VDP slices CCAP data and places it into the VDP readback registers.
2. The VDP CCAP available bit CC_CAP goes high, and the VDP module signals to the interrupt controller to stimulate an interrupt request (for CCAP in this case).
3. The user reads the interrupt status bits (user sub map) and sees that new CCAP data is available (Register 0x4E, Bit 0, user sub map = 1).
4. The user writes 1 to the CCAP interrupt clear bit (Register 0x4F, Bit 0, user sub map = 1) in the interrupt I²C space (this is a self-clearing bit). This clears the interrupt on the $\overline{\text{INTRQ}}$ pin but does not have an effect in the VDP I²C area.
5. The user reads the CCAP data from the VDP I²C area.
6. The user writes to Bit CC_CLEAR in the VDP_STATUS_CLEAR register, (Register 0x78, Bit 0, user sub map = 1) to signify the CCAP data has been read (therefore the VDP CCAP can be updated at the next occurrence of CCAP).
7. The user goes back to Step 2.

Interrupt Mask Register Details

The following bits set the interrupt mask on the signal from the VDP VBI data slicer.

$\overline{\text{VDP_CCAPD_MSK}}$, Address 0x50[0], User Sub Map

Setting $\overline{\text{VDP_CCAPD_MSK}}$ to 0 (default) disables the interrupt on the $\overline{\text{VDP_CCAPD_Q}}$ signal.

Setting $\overline{\text{VDP_CCAPD_MSK}}$ to 1 enables the interrupt on the $\overline{\text{VDP_CCAPD_Q}}$ signal.

$\overline{\text{VDP_CGMS_WSS_CHNGD_MSK}}$, Address 0x50[2], User Sub Map

Setting $\overline{\text{VDP_CGMS_WSS_CHNGD_MSK}}$ to 0 (default) disables the interrupt on the $\overline{\text{VDP_CGMS_WSS_CHNGD_Q}}$ signal.

Setting $\overline{\text{VDP_CGMS_WSS_CHNGD_MSK}}$ to 1 enables the interrupt on the $\overline{\text{VDP_CGMS_WSS_CHNGD_Q}}$ signal.

$\overline{\text{VDP_GS_VPS_PDC_UTC_CHNG_MSK}}$, Address 0x50[4], User Sub Map

Setting $\overline{\text{VDP_GS_VPS_PDC_UTC_CHNG_MSK}}$ to 0 (default) disables the interrupt on the $\overline{\text{VDP_GS_VPS_PDC_UTC_CHNG_Q}}$ signal.

Setting $\overline{\text{VDP_GS_VPS_PDC_UTC_CHNG_MSK}}$ to 1 enables the interrupt on the $\overline{\text{VDP_GS_VPS_PDC_UTC_CHNG_Q}}$ signal.

$\overline{\text{VDP_VITC_MSK}}$, Address 0x50[6], User Sub Map

Setting $\overline{\text{VDP_VITC_MSK}}$ to 0 (default) disables the interrupt on the $\overline{\text{VDP_VITC_Q}}$ signal.

Setting $\overline{\text{VDP_VITC_MSK}}$ to 1 enables the interrupt on the $\overline{\text{VDP_VITC_Q}}$ signal.

Interrupt Status Register Details

The following read-only bits contain data detection information from the VDP module since the status bit was last cleared or unmasked.

$\overline{\text{VDP_CCAPD_Q}}$, Address 0x4E[0], User Sub Map

When $\overline{\text{VDP_CCAPD_Q}}$ is 0 (default), CCAP data has not been detected.

When $\overline{\text{VDP_CCAPD_Q}}$ is 1, CCAP data has been detected.

$\overline{\text{VDP_CGMS_WSS_CHNGD_Q}}$, Address 0x4E[2], User Sub Map

When $\overline{\text{VDP_CGMS_WSS_CHNGD_Q}}$ is 0 (default), CGMS or WSS data has not been detected.

When $\overline{\text{VDP_CGMS_WSS_CHNGD_Q}}$ is 1, CGM or WSS data has been detected.

$\overline{\text{VDP_GS_VPS_PDC_UTC_CHNG_Q}}$, Address 0x4E[4], User Sub Map

When $\overline{\text{VDP_GS_VPS_PDC_UTC_CHNG_Q}}$ is 0 (default), Gemstar, PDC, UTC, or VPS data has not been detected.

When $\overline{\text{VDP_GS_VPS_PDC_UTC_CHNG_Q}}$ is 1, Gemstar, PDC, UTC, or VPS data has been detected.

$\overline{\text{VDP_VITC_Q}}$, Address 0x4E[6], User Sub Map, Read Only

When $\overline{\text{VDP_VITC_Q}}$ is 0 (default), VITC data has not been detected.

When $\overline{\text{VDP_VITC_Q}}$ is 1, VITC data has been detected.

Interrupt Status Clear Register Details

It is not necessary to write 0 to these write-only bits because they automatically reset after they have been set to 1 (self-clearing).

$\overline{\text{VDP_CCAPD_CLR}}$, Address 0x4F[0], User Sub Map

Setting $\overline{\text{VDP_CCAPD_CLR}}$ to 1 clears the $\overline{\text{VDP_CCAP_Q}}$ bit.

$\overline{\text{VDP_CGMS_WSS_CHNGD_CLR}}$, Address 0x4F[2], User Sub Map

Setting $\overline{\text{VDP_CGMS_WSS_CHNGD_CLR}}$ to 1 clears the $\overline{\text{VDP_CGMS_WSS_CHNGD_Q}}$ bit.

$\overline{\text{VDP_GS_VPS_PDC_UTC_CHNG_CLR}}$, Address 0x4F[4], User Sub Map

Setting $\overline{\text{VDP_GS_VPS_PDC_UTC_CHNG_CLR}}$ to 1 clears the $\overline{\text{VDP_GS_VPS_PDC_UTC_CHNG_Q}}$ bit.

$\overline{\text{VDP_VITC_CLR}}$, Address 0x4F[6], User Sub Map

Setting $\overline{\text{VDP_VITC_CLR}}$ to 1 clears the $\overline{\text{VDP_VITC_Q}}$ bit.

I²C READBACK REGISTERS

Teletext

Because teletext is a high data rate standard, the decoded bytes are available only as ancillary data. However, a TTXT_AVL bit has been provided in I²C so that the user can check whether the VDP has detected teletext. Note that the TTXT_AVL bit is a plain status bit and does not use the protocol identified in the I²C Interface section.

TTXT_AVL, Teletext Detected Status, Address 0x78[7], User Sub Map, Read Only

When TTXT_AVL is 0, teletext was not detected.

When TTXT_AVL is 1, teletext was detected.

WST Packet Decoding

For WST only, the VDP decodes the magazine and row address of teletext packets and further decodes the packet's 8 × 4 hamming coded words. This feature can be disabled using the WST_PKT_DECODE_DISABLE bit (Bit 3, Register 0x60, user sub map). This feature is valid for WST only.

WST_PKT_DECODE_DISABLE, Disable Hamming Decoding of Bytes in WST, Address 0x60[3], User Sub Map

Setting WST_PKT_DECODE_DISABLE to 0 enables hamming decoding of WST packets.

Setting WST_PKT_DECODE_DISABLE to 1 (default) disables hamming decoding of WST packets.

For hamming-coded bytes, the dehammed nibbles are output along with some error information from the hamming decoder as follows:

- Input hamming coded byte: {D3, P3, D2, P2, D1, P1, D0, P0} (bits in decoded order)
- Output dehammed byte: {E1, E0, 0, 0, D3', D2', D1', D0'} (Di' – corrected bits, Ei error information).

Table 79. Error Bits in the Dehammed Output Byte

| E[1:0] | Error Information | Output Data Bits in Nibble |
|--------|----------------------------------|----------------------------|
| 00 | No errors detected | Okay |
| 01 | Error in P4 | Okay |
| 10 | Double error | Bad |
| 11 | Single error found and corrected | Okay |

Table 80 describes the WST packets that are decoded.

Table 80. WST Packet Description

| Packet | Byte | Description |
|---|--|--|
| Header Packet (X/00) | 1 st 2 nd 3 rd 4 th 5 th to 10 th 11 th to 42 nd | Magazine number—Dehammed Byte 4 Row number—Dehammed Byte 5 Page number—Dehammed Byte 6 Page number—Dehammed Byte 7 Control bytes—Dehammed Byte 8 to Byte 13 Raw data bytes |
| Text Packets (X/01 to X/25) | 1 st 2 nd 3 rd to 42 nd | Magazine number—Dehammed Byte 4 Row number—Dehammed Byte 5 Raw data bytes |
| 8/30 (Format 1) Packet Design Code = 0000 or 0001 UTC | 1 st 2 nd 3 rd 4 th to 10 th 11 th to 23 rd 24 th to 42 nd | Magazine number—Dehammed Byte 4 Row number—Dehammed Byte 5 Design code—Dehammed Byte 6 Dehammed initial teletext page, Byte 7 to Byte 12 UTC bytes—Dehammed Byte 13 to Byte 25 Raw status bytes |
| 8/30 (Format 2) Packet Design Code = 0010 or 0011 PDC | 1 st 2 nd 3 rd 4 th to 10 th 11 th to 23 rd 24 th to 42 nd | Magazine number—Dehammed Byte 4 Row number—Dehammed Byte 5 Design code—Dehammed Byte 6 Dehammed initial teletext page, Byte 7 to Byte 12 PDC bytes—Dehammed Byte 13 to Byte 25 Raw status bytes |
| X/26, X/27, X/28, X/29, X/30, X/31 ¹ | 1 st 2 nd 3 rd 4 th to 42 nd | Magazine number—Dehammed Byte 4 Row number—Dehammed Byte 5 Design code—Dehammed Byte 6 Raw data bytes |

¹ For X/26, X/28, and X/29, further decoding needs 24 × 18 hamming decoding. Not supported at present.

CGMS and WSS

The CGMS and WSS data packets convey the same type of information for different video standards. WSS is for PAL and CGMS is for NTSC; therefore, the CGMS and WSS readback registers are shared. WSS is biphase coded; the VDP performs a biphase decoding to produce the 14 raw WSS bits in the CGMS/WSS readback I²C registers and to set the CGMS_WSS_AVL bit.

CGMS_WSS_CLEAR, CGMS/WSS Clear, Address 0x78[2], User Sub Map, Write Only, Self-Clearing

Setting CGMS_WSS_CLEAR to 1 reinitializes the CGMS/WSS readback registers.

CGMS_WSS_AVL, CGMS/WSS Available, Address 0x78[2], User Sub Map, Read Only

When CGMS_WSS_AVL is 0, CGMS/WSS was not detected.

When CGMS_WSS_AVL is 1, CGMS/WSS was detected.

VDP_CGMS_WSS_DATA_0[3:0], Address 0x7D[3:0];

VDP_CGMS_WSS_DATA_1[7:0], Address 0x7E[7:0];

VDP_CGMS_WSS_DATA_2[7:0], Address 0x7F[7:0];

User Sub Map, Read Only

These bits hold the decoded CGMS or WSS data.

Refer to Figure 46 and Figure 47 for the I²C-to-WSS and I²C-to-CGMS bit mapping.

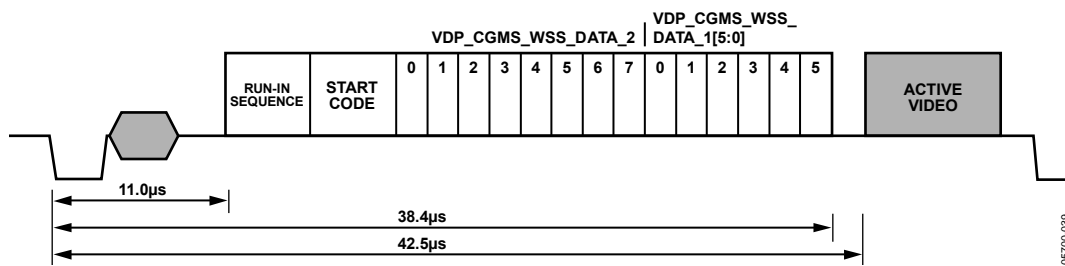


Figure 46. WSS Waveform

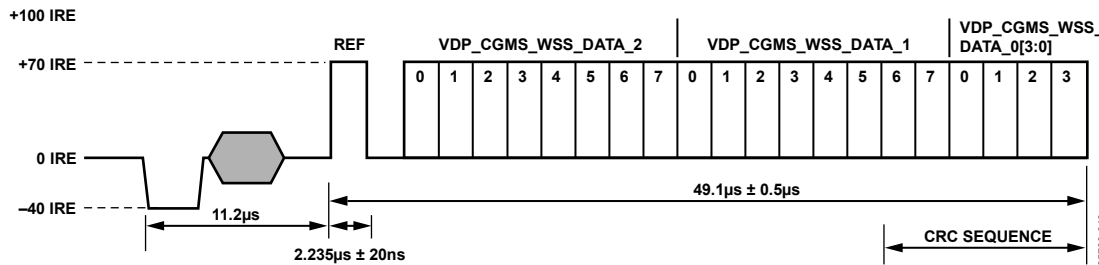


Figure 47. CGMS Waveform

Table 81. CGMS Readback Registers¹

| Signal Name | Register Location | Address (User Sub Map) | |
|----------------------|--------------------------|------------------------|------|
| CGMS_WSS_DATA_0[3:0] | VDP_CGMS_WSS_DATA_0[3:0] | 125 | 0x7D |
| CGMS_WSS_DATA_1[7:0] | VDP_CGMS_WSS_DATA_1[7:0] | 126 | 0x7E |
| CGMS_WSS_DATA_2[7:0] | VDP_CGMS_WSS_DATA_2[7:0] | 127 | 0x7F |

¹ These registers are readback registers; default value does not apply.

CCAP

Two bytes of decoded closed caption data are available in the I²C registers. The field information of the decoded CCAP data can be obtained from the CC_EVEN_FIELD bit (Register 0x78).

CC_CLEAR, Closed Caption Clear, Address 0x78[0], User Sub Map, Write Only, Self-Clearing

Setting CC_CLEAR to 1 reinitializes the CCAP readback registers.

CC_AVL, Closed Caption Available, Address 0x78[0], User Sub Map, Read Only

When CC_AVL is 0, closed captioning was not detected.

When CC_AVL is 1, closed captioning was detected.

CC_EVEN_FIELD, Address 0x78[1], User Sub Map, Read Only

Identifies the field from which the CCAP data was decoded.

When CC_EVEN_FIELD is 0, closed captioning was detected from an odd field.

When CC_EVEN_FIELD is 1, closed captioning was detected from an even field.

VDP_CCAP_DATA_0, Address 0x79[7:0], User Sub Map, Read Only

Decoded Byte 1 of CCAP data.

VDP_CCAP_DATA_1, Address 0x7A[7:0], User Sub Map, Read Only

Decoded Byte 2 of CCAP data.

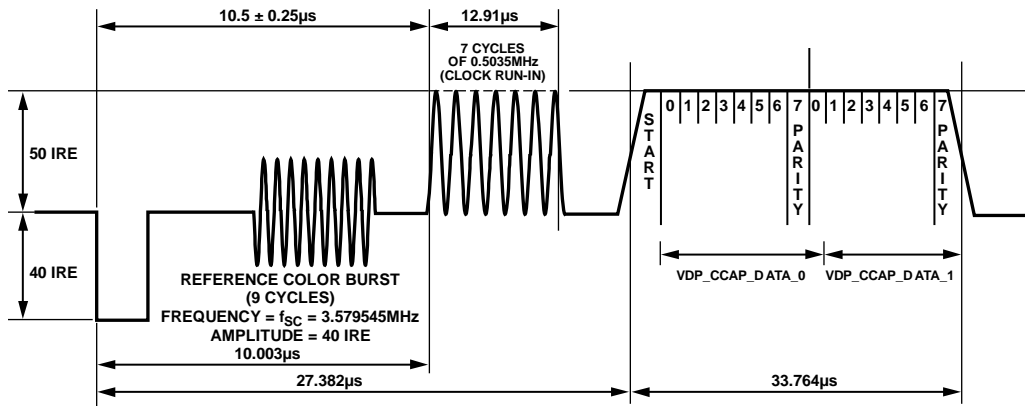


Figure 48. CCAP Waveform and Decoded Data Correlation

Table 82. CCAP Readback Registers¹

| Signal Name | Register Location | Address (User Sub Map) | |
|------------------|----------------------|------------------------|------|
| CCAP_BYTE_1[7:0] | VDP_CCAP_DATA_0[7:0] | 121 | 0x79 |
| CCAP_BYTE_2[7:0] | VDP_CCAP_DATA_1[7:0] | 122 | 0x7A |

¹ These registers are readback registers; default value does not apply.

VITC

VITC has a sequence of 10 syncs between each data byte. The VDP strips these syncs from the data stream to output only the data bytes. The VITC results are available in Register VDP_VITC_DATA_0 to Register VDP_VITC_DATA_8 (Register 0x92 to Register 0x9A, user sub map).

The VITC has a CRC byte at the end; the syncs in between each data byte are also used in this CRC calculation. Because the syncs in between each data byte are not output, the CRC is calculated internally. The calculated CRC is available for the user in the VDP_VITC_CALC_CRC register (Resister 0x9B, user sub map). When the VDP completes decoding the VITC line, the VITC_DATA_x and VITC_CRC registers are updated and the VITC_AVL bit is set.

VITC_CLEAR, VITC Clear, Address 0x78[6], User Sub Map, Write Only, Self-Clearing

Setting VITC_CLEAR to 1 reinitializes the VITC readback registers.

VITC_AVL, VITC Available, Address 0x78[6], User Sub Map, Read Only

When VITC_AVL is 0, VITC data was not detected.

When VITC_AVL is 1, VITC data was detected.

VITC Readback Registers

See Figure 49 for the I²C-to-VITC bit mapping.

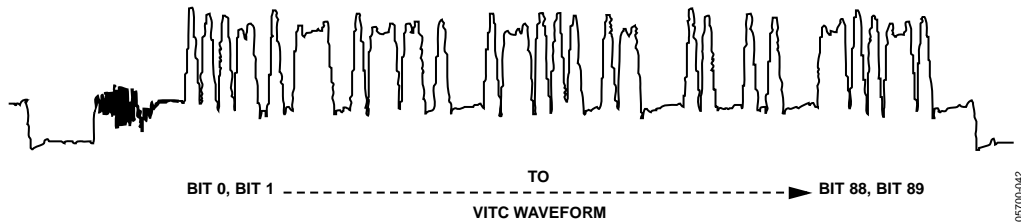


Figure 49. VITC Waveform and Decoded Data Correlation

Table 83. VITC Readback Registers¹

| Signal Name | Register Location | Address (User Sub Map) | |
|------------------|---|------------------------|------|
| VITC_DATA_0[7:0] | VDP_VITC_DATA_0[7:0] (VITC Bits[9:2]) | 146 | 0x92 |
| VITC_DATA_1[7:0] | VDP_VITC_DATA_1[7:0] (VITC Bits[19:12]) | 147 | 0x93 |
| VITC_DATA_2[7:0] | VDP_VITC_DATA_2[7:0] (VITC Bits[29:22]) | 148 | 0x94 |
| VITC_DATA_3[7:0] | VDP_VITC_DATA_3[7:0] (VITC Bits[39:32]) | 149 | 0x95 |
| VITC_DATA_4[7:0] | VDP_VITC_DATA_4[7:0] (VITC Bits[49:42]) | 150 | 0x96 |
| VITC_DATA_5[7:0] | VDP_VITC_DATA_5[7:0] (VITC Bits[59:52]) | 151 | 0x97 |
| VITC_DATA_6[7:0] | VDP_VITC_DATA_6[7:0] (VITC Bits[69:62]) | 152 | 0x98 |
| VITC_DATA_7[7:0] | VDP_VITC_DATA_7[7:0] (VITC Bits[79:72]) | 153 | 0x99 |
| VITC_DATA_8[7:0] | VDP_VITC_DATA_8[7:0] (VITC Bits[89:82]) | 154 | 0x9A |
| VITC_CRC[7:0] | VDP_VITC_CALC_CRC[7:0] | 155 | 0x9B |

¹ These registers are readback registers; default value does not apply.

VPS/PDC/UTC/GEMSTAR

The readback registers for VPS, PDC, and UTC are shared. Gemstar is a high data rate standard and is available only through the ancillary stream. However, for evaluation purposes, any one line of Gemstar is available through the I²C registers sharing the same register space as PDC, UTC, and VPS. Therefore, only VPS, PDC, UTC, or Gemstar can be read through the I²C at one time.

To identify the data that should be made available in the I²C registers, the user must program I²C_GS_VPS_PDC_UTC[1:0] (Register Address 0x9C, user sub map).

I²C_GS_VPS_PDC_UTC[1:0] (VDP), Address 0x9C[7:6], User Sub Map

Specifies which standard result is available for I²C readback.

GS_PDC_VPS_UTC_CLEAR, GS/PDC/VPS/UTC Clear, Address 0x78[4], User Sub Map, Write Only, Self-Clearing

Setting GS_PDC_VPS_UTC_CLEAR to 1 reinitializes the GS/PDC/VPS/UTC data readback registers.

GS_PDC_VPS_UTC_AVL, GS/PDC/VPS/UTC Available, Address 0x78[4], User Sub Map, Read Only

When GS_PDC_VPS_UTC_AVL is 0, no GS, PDC, VPS, or UTC data was detected.

When GS_PDC_VPS_UTC_AVL is 1, one GS, PDC, VPS, or UTC data was detected.

VDP_GS_VPS_PDC_UTC, Readback Registers, Address 0x84 to Address 0x90

See Table 85 for information on the readback registers.

VPS

The VPS data bits are biphasic decoded by the VDP. The decoded data is available in both the ancillary stream and in the I²C readback registers. VPS decoded data is available in the VDP_GS_VPS_PDC_UTC_0 to VDP_VPS_PDC_UTC_12 registers (Address 0x84 to Address 0x90, User Sub Map). The GS_PDC_VPS_UTC_AVL bit is set if the user programmed I²C_GS_VPS_PDC_UTC to 01, as explained in Table 84.

Gemstar

The Gemstar-decoded data is made available in the ancillary stream, and any one line of Gemstar is also available in the I²C registers for evaluation purposes. To read Gemstar results through the I²C registers, the user must program I²C_GS_VPS_PDC_UTC to 00, as explained in Table 84.

Table 84. I²C_GS_VPS_PDC_UTC[1:0] Function

| I ² C_GS_VPS_PDC_UTC[1:0] | Description |
|--------------------------------------|---------------|
| 00 (default) | Gemstar 1×/2× |
| 01 | VPS |
| 10 | PDC |
| 11 | UTC |

VDP supports autodetection of the Gemstar standard, either Gemstar 1× or Gemstar 2×, and decodes accordingly. For the autodetection mode to work, the user must set the AUTO_DETECT_GS_TYPE bit (Register 0x61, user sub map) and program the decoder to decode Gemstar 2× on the required lines through line programming. The type of Gemstar decoded can be determined by observing the GS_DATA_TYPE bit (Register 0x78, user sub map).

AUTO_DETECT_GS_TYPE, Address 0x61[4], User Sub Map

Setting AUTO_DETECT_GS_TYPE to 0 (default) disables the autodetection of the Gemstar type.

Setting AUTO_DETECT_GS_TYPE to 1 enables the autodetection of the Gemstar type.

GS_DATA_TYPE, Address 0x78[5], User Sub Map, Read Only

Identifies the decoded Gemstar data type.

When GS_DATA_TYPE is 0, Gemstar 1× mode is detected. Read two data bytes from 0x84.

When GS_DATA_TYPE is 1, Gemstar 2× mode is detected. Read four data bytes from 0x84.

The Gemstar data that is available in the I²C register can be from any line of the input video on which Gemstar was decoded. To read the Gemstar data on a particular video line, the user should use the manual configuration described in Table 70 and Table 71 and enable Gemstar decoding only on the required line.

PDC/UTC

PDC and UTC are data transmitted through Teletext Packet 8/30 Format 2 (Magazine 8, Row 30, Design Code 2 or Design Code 3) and Packet 8/30 Format 1 (Magazine 8, Row 30, Design Code 0 or Design Code 1). Therefore, if PDC or UTC data is to be read through I²C, the corresponding teletext standard (WST or PAL System B) should be decoded by VDP. The whole teletext decoded packet is output on the ancillary data stream. The user can look for the magazine number, row number, and design code and qualify the data as PDC, UTC, or neither of these.

If PDC/UTC packets are identified, Byte 0 to Byte 12 are updated to the VDP_GS_VPS_PDC_UTC_0 to VDP_VPS_PDC_UTC_12 registers, and the GS_PDC_VPS_UTC_AVL bit is set. The full packet data is also available in the ancillary data format.

Note that the data available in the I²C register depends on the status of the WST_PKT_DECODE_DISABLE bit (Bit 3, Subaddress 0x60, user sub map).

Table 85. GS/VPS/PDC/UTC Readback Registers¹

| Signal Name | Register Location | Dec Address (User Sub Map) | Hex Address (User Sub Map) |
|----------------------------|---------------------------|----------------------------|----------------------------|
| GS_VPS_PDC_UTC_BYTE_0[7:0] | VDP_GS_VPS_PDC_UTC_0[7:0] | 132 | 0x84 |
| GS_VPS_PDC_UTC_BYTE_1[7:0] | VDP_GS_VPS_PDC_UTC_1[7:0] | 133 | 0x85 |
| GS_VPS_PDC_UTC_BYTE_2[7:0] | VDP_GS_VPS_PDC_UTC_2[7:0] | 134 | 0x86 |
| GS_VPS_PDC_UTC_BYTE_3[7:0] | VDP_GS_VPS_PDC_UTC_3[7:0] | 135 | 0x87 |
| VPS_PDC_UTC_BYTE_4[7:0] | VDP_VPS_PDC_UTC_4[7:0] | 136 | 0x88 |
| VPS_PDC_UTC_BYTE_5[7:0] | VDP_VPS_PDC_UTC_5[7:0] | 137 | 0x89 |
| VPS_PDC_UTC_BYTE_6[7:0] | VDP_VPS_PDC_UTC_6[7:0] | 138 | 0x8A |
| VPS_PDC_UTC_BYTE_7[7:0] | VDP_VPS_PDC_UTC_7[7:0] | 139 | 0x8B |
| VPS_PDC_UTC_BYTE_8[7:0] | VDP_VPS_PDC_UTC_8[7:0] | 140 | 0x8C |
| VPS_PDC_UTC_BYTE_9[7:0] | VDP_VPS_PDC_UTC_9[7:0] | 141 | 0x8D |
| VPS_PDC_UTC_BYTE_10[7:0] | VDP_VPS_PDC_UTC_10[7:0] | 142 | 0x8E |
| VPS_PDC_UTC_BYTE_11[7:0] | VDP_VPS_PDC_UTC_11[7:0] | 143 | 0x8F |
| VPS_PDC_UTC_BYTE_12[7:0] | VDP_VPS_PDC_UTC_12[7:0] | 144 | 0x90 |

¹ The default value does not apply to readback registers.

VBI System 2

The user has an option of using a different VBI data slicer called VBI System 2. This data slicer is used to decode Gemstar and closed caption VBI signals only.

Using this system, the Gemstar data is available only in the ancillary data stream. A special mode enables one line of data to be read back through I²C.

Gemstar Data Recovery

The Gemstar-compatible data recovery block (GSCD) supports 1× and 2× data transmissions. In addition, it can serve as a closed caption decoder. Gemstar-compatible data transmissions can occur only in NTSC. Closed caption data can be decoded in both PAL and NTSC.

The block can be configured via I²C as follows:

- GDECEL[15:0] allows data recovery on selected video lines on even fields to be enabled or disabled.
- GDECOL[15:0] enables the data recovery on selected lines for odd fields.
- GDECAD[0] configures the way in which data is embedded in the video data stream.

The recovered data is not available through I²C but is inserted into the horizontal blanking period of an ITU-R BT.656-compatible data stream. The data format is intended to comply with the recommendation by the International Telecommunications Union, ITU-R BT.1364. For more information, visit the International Telecommunication Union website. See Figure 50.

GDE_SEL_OLD_ADF, Address 0x4C[3], User Sub Map

The ADV7180 has a new ancillary data output block that can be used by the VDP data slicer and the VBI System 2 data slicer. The new ancillary data formatter is used by setting GDE_SEL_OLD_ADF to 0 (default). See Table 74 and Table 75 for information about how the data is packaged in the ancillary data stream when this bit is set low.

To use the old ancillary data formatter (to be backward compatible with the [ADV7183B](#)), set GDE_SEL_OLD_ADF to 1. The ancillary data format in this section refers to the ADV7183B-compatible ancillary data formatter.

Setting GDE_SEL_OLD_ADF to 0 (default) enables a new ancillary data system for use with the VDP and VBI System 2.

Setting GDE_SEL_OLD_ADF to 1 enables the old ancillary data system for use with the VBI System 2 only (ADV7183B compatible).

The format of the data packet depends on the following criteria:

- Transmission is 1× or 2×.
- Data is output in 8-bit or 4-bit format (see the description of the bit).
- Data is closed caption (CCAP) or Gemstar compatible.

Data packets are output if the corresponding enable bit is set (see the GDECEL[15:0], Gemstar Decoding Even Lines, Address 0x48[7:0], Address 0x49[7:0] and the GDECOL[15:0], Gemstar Decoding Odd Lines, Address 0x4A[7:0], Address 0x4B[7:0] sections), and the decoder detects the presence of data. For video lines where no data is decoded, no data packet is output, even if the corresponding line enable bit is set.

Each data packet starts immediately after the EAV code of the preceding line. Figure 50 and Table 86 show the overall structure of the data packet.

Entries within the packet are as follows:

- Fixed preamble sequence of 0x00, 0xFF, and 0xFF.
- DID. The value for the DID marking a Gemstar or CCAP data packet is 0x140 (10-bit value).
- SDID, which contains information about the video line from which data was retrieved, whether the Gemstar transmission was in 1× or 2× format, and whether it was retrieved from an even or odd field.

- Data count byte, giving the number of user data-words that follow.
- User data section.
- Optional padding to ensure that the length of the user data-word section of a packet is a multiple of four bytes (requirement as set in ITU-R BT.1364).
- Checksum byte.

Table 86 lists the values within a generic data packet that is output by the ADV7180 in 8-bit format.

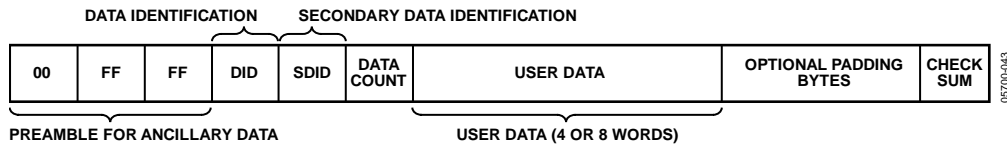


Figure 50. Gemstar- and CCAP-Embedded Data Packet (Generic)

Table 86. Generic Data Output Packet

| Byte | D[9] | D[8] | D[7] | D[6] | D[5] | D[4] | D[3] | D[2] | D[1] | D[0] | Description |
|------|-------|-------|-------|-------|------------|-------|-------|-------|------|------|-----------------|
| 0 | 0 | 0 | 0 | 0 | 0 | 0 | 0 | 0 | 0 | 0 | Fixed preamble |
| 1 | 1 | 1 | 1 | 1 | 1 | 1 | 1 | 1 | 1 | 1 | Fixed preamble |
| 2 | 1 | 1 | 1 | 1 | 1 | 1 | 1 | 1 | 1 | 1 | Fixed preamble |
| 3 | 0 | 1 | 0 | 1 | 0 | 0 | 0 | 0 | 0 | 0 | DID |
| 4 | EP | EP | EF | 2X | Line[3:0] | | | | 0 | 0 | SDID |
| 5 | EP | EP | 0 | 0 | 0 | 0 | DC[1] | DC[0] | 0 | 0 | Data count (DC) |
| 6 | EP | EP | 0 | 0 | Word1[7:4] | | | | 0 | 0 | User data-words |
| 7 | EP | EP | 0 | 0 | Word1[3:0] | | | | 0 | 0 | User data-words |
| 8 | EP | EP | 0 | 0 | Word2[7:4] | | | | 0 | 0 | User data-words |
| 9 | EP | EP | 0 | 0 | Word2[3:0] | | | | 0 | 0 | User data-words |
| 10 | EP | EP | 0 | 0 | Word3[7:4] | | | | 0 | 0 | User data-words |
| 11 | EP | EP | 0 | 0 | Word3[3:0] | | | | 0 | 0 | User data-words |
| 12 | EP | EP | 0 | 0 | Word4[7:4] | | | | 0 | 0 | User data-words |
| 13 | EP | EP | 0 | 0 | Word4[3:0] | | | | 0 | 0 | User data-words |
| 14 | CS[8] | CS[8] | CS[7] | CS[6] | CS[5] | CS[4] | CS[3] | CS[2] | 0 | 0 | Checksum |

Table 87. Data Byte Allocation

| 2× | Raw Information Bytes Retrieved from the Video Line | GDECAD | User Data-Words (Including Padding) | Padding Bytes | DC[1:0] |
|----|---|--------|-------------------------------------|---------------|---------|
| 1 | 4 | 0 | 8 | 0 | 10 |
| 1 | 4 | 1 | 4 | 0 | 01 |
| 0 | 2 | 0 | 4 | 0 | 01 |
| 0 | 2 | 1 | 4 | 2 | 01 |

Gemstar Bit Names

The following are the Gemstar bit names:

- DID—The data identification value is 0x140 (10-bit value). Care has been taken so that in 8-bit systems, the two LSBs do not carry vital information.
- EP and \overline{EP} —The EP bit is set to ensure even parity on the D[8:0] data-word. Even parity means there is always an even number of 1s within the D[8:0] bit arrangement. This includes the EP bit. \overline{EP} describes the logic inverse of EP and is output on D[9]. The \overline{EP} is output to ensure that the reserved codes of 00 and FF do not occur.
- EF—Even field identifier. EF = 1 indicates that the data was recovered from a video line on an even field.
- 2×—This bit indicates whether the data sliced was in Gemstar 1× or 2× format. A high indicates 2× format. The 2× bit determines whether the raw information retrieved from the video line was two bytes or four bytes. The state of the GDECAD bit affects whether the bytes are transmitted straight (that is, two bytes transmitted as two bytes) or whether they are split into nibbles (that is, two bytes transmitted as four half bytes). Padding bytes are then added where necessary.
- Line[3:0]—This entry provides a code that is unique for each of the possible 16 source lines of video from which Gemstar data may have been retrieved. Refer to Table 96 and Table 97.

- DC[1:0]—Data count value. The number of UDWs in the packet divided by 4. The number of UDWs in any packet must be an integral number of 4. Padding may be required at the end, as set in ITU-R BT.1364. See Table 87.
- CS[8:2]—The checksum is provided to determine the integrity of the ancillary data packet. It is calculated by summing up D[8:2] of DID, SDID, the data count byte, and all UDWs and ignoring any overflow during the summation. Because all data bytes that are used to calculate the checksum have their two LSBs set to 0, the CS[1:0] bits are also always 0.

\overline{CS} [8]—describes the logic inversion of CS[8]. The value \overline{CS} [8] is included in the checksum entry of the data packet to ensure that the reserved values of 0x00 and 0xFF do not occur. Table 88 to Table 91 outline the possible data packages.

Gemstar_2× Format, Half-Byte Output Mode

Half-byte output mode is selected by setting GDECAD to 0; full-byte output mode is selected by setting GDECAD to 1. See the GDECAD, Gemstar Decode Ancillary Data Format, Address 0x4C[0] section.

Gemstar_1× Format

Half-byte output mode is selected by setting CDECAD to 0; full-byte output mode is selected by setting CDECAD to 1. See the GDECAD, Gemstar Decode Ancillary Data Format, Address 0x4C[0] section.

Table 88. Gemstar_2× Data, Half-Byte Mode

| Byte | D[9] | D[8] | D[7] | D[6] | D[5] | D[4] | D[3] | D[2] | D[1] | D[0] | Description |
|------|---------------------|-------|-------|-------|--------------------|-------|-------|-------|-------|-------|-----------------|
| 0 | 0 | 0 | 0 | 0 | 0 | 0 | 0 | 0 | 0 | 0 | Fixed preamble |
| 1 | 1 | 1 | 1 | 1 | 1 | 1 | 1 | 1 | 1 | 1 | Fixed preamble |
| 2 | 1 | 1 | 1 | 1 | 1 | 1 | 1 | 1 | 1 | 1 | Fixed preamble |
| 3 | 0 | 1 | 0 | 1 | 0 | 0 | 0 | 0 | 0 | 0 | DID |
| 4 | \overline{EP} | EP | EF | 1 | Line[3:0] | | | | 0 | 0 | SDID |
| 5 | \overline{EP} | EP | 0 | 0 | 0 | 0 | 1 | 0 | 0 | 0 | Data count |
| 6 | \overline{EP} | EP | 0 | 0 | Gemstar Word1[7:4] | | | | 0 | 0 | User data-words |
| 7 | \overline{EP} | EP | 0 | 0 | Gemstar Word1[3:0] | | | | 0 | 0 | User data-words |
| 8 | \overline{EP} | EP | 0 | 0 | Gemstar Word2[7:4] | | | | 0 | 0 | User data-words |
| 9 | \overline{EP} | EP | 0 | 0 | Gemstar Word2[3:0] | | | | 0 | 0 | User data-words |
| 10 | \overline{EP} | EP | 0 | 0 | Gemstar Word3[7:4] | | | | 0 | 0 | User data-words |
| 11 | \overline{EP} | EP | 0 | 0 | Gemstar Word3[3:0] | | | | 0 | 0 | User data-words |
| 12 | \overline{EP} | EP | 0 | 0 | Gemstar Word4[7:4] | | | | 0 | 0 | User data-words |
| 13 | \overline{EP} | EP | 0 | 0 | Gemstar Word4[3:0] | | | | 0 | 0 | User data-words |
| 14 | \overline{CS} [8] | CS[8] | CS[7] | CS[6] | CS[5] | CS[4] | CS[3] | CS[2] | CS[1] | CS[0] | Checksum |

Table 89. Gemstar_2× Data, Full-Byte Mode

| Byte | D[9] | D[8] | D[7] | D[6] | D[5] | D[4] | D[3] | D[2] | D[1] | D[0] | Description |
|------|---------------------|---------------------|---------------------|---------------------|---------------------|---------------------|---------------------|---------------------|---------------------|---------------------|-----------------|
| 0 | 0 | 0 | 0 | 0 | 0 | 0 | 0 | 0 | 0 | 0 | Fixed preamble |
| 1 | 1 | 1 | 1 | 1 | 1 | 1 | 1 | 1 | 1 | 1 | Fixed preamble |
| 2 | 1 | 1 | 1 | 1 | 1 | 1 | 1 | 1 | 1 | 1 | Fixed preamble |
| 3 | 0 | 1 | 0 | 1 | 0 | 0 | 0 | 0 | 0 | 0 | DID |
| 4 | \overline{EP} | EP | EF | 1 | Line[3:0] | | | | 0 | 0 | SDID |
| 5 | \overline{EP} | EP | 0 | 0 | 0 | 0 | 0 | 1 | 0 | 0 | Data count |
| 6 | Gemstar Word1[7:0] | | | | | | | | 0 | 0 | User data-words |
| 7 | Gemstar Word2[7:0] | | | | | | | | 0 | 0 | User data-words |
| 8 | Gemstar Word3[7:0] | | | | | | | | 0 | 0 | User data-words |
| 9 | Gemstar Word4[7:0] | | | | | | | | 0 | 0 | User data-words |
| 10 | \overline{CS} [8] | \overline{CS} [8] | \overline{CS} [7] | \overline{CS} [6] | \overline{CS} [5] | \overline{CS} [4] | \overline{CS} [3] | \overline{CS} [2] | \overline{CS} [1] | \overline{CS} [0] | Checksum |

Table 90. Gemstar_1× Data, Half-Byte Mode

| Byte | D[9] | D[8] | D[7] | D[6] | D[5] | D[4] | D[3] | D[2] | D[1] | D[0] | Description |
|------|---------------------|---------------------|---------------------|---------------------|---------------------|---------------------|---------------------|---------------------|---------------------|---------------------|-----------------|
| 0 | 0 | 0 | 0 | 0 | 0 | 0 | 0 | 0 | 0 | 0 | Fixed preamble |
| 1 | 1 | 1 | 1 | 1 | 1 | 1 | 1 | 1 | 1 | 1 | Fixed preamble |
| 2 | 1 | 1 | 1 | 1 | 1 | 1 | 1 | 1 | 1 | 1 | Fixed preamble |
| 3 | 0 | 1 | 0 | 1 | 0 | 0 | 0 | 0 | 0 | 0 | DID |
| 4 | \overline{EP} | EP | EF | 0 | Line[3:0] | | | | 0 | 0 | SDID |
| 5 | \overline{EP} | EP | 0 | 0 | 0 | 0 | 0 | 1 | 0 | 0 | Data count |
| 6 | \overline{EP} | EP | 0 | 0 | Gemstar Word1[7:4] | | | | 0 | 0 | User data-words |
| 7 | \overline{EP} | EP | 0 | 0 | Gemstar Word1[3:0] | | | | 0 | 0 | User data-words |
| 8 | \overline{EP} | EP | 0 | 0 | Gemstar Word2[7:4] | | | | 0 | 0 | User data-words |
| 9 | \overline{EP} | EP | 0 | 0 | Gemstar Word2[3:0] | | | | 0 | 0 | User data-words |
| 10 | \overline{CS} [8] | \overline{CS} [8] | \overline{CS} [7] | \overline{CS} [6] | \overline{CS} [5] | \overline{CS} [4] | \overline{CS} [3] | \overline{CS} [2] | \overline{CS} [1] | \overline{CS} [0] | Checksum |

Table 91. Gemstar_1× Data, Full-Byte Mode

| Byte | D[9] | D[8] | D[7] | D[6] | D[5] | D[4] | D[3] | D[2] | D[1] | D[0] | Description |
|------|---------------------|---------------------|---------------------|---------------------|---------------------|---------------------|---------------------|---------------------|---------------------|---------------------|-------------------|
| 0 | 0 | 0 | 0 | 0 | 0 | 0 | 0 | 0 | 0 | 0 | Fixed preamble |
| 1 | 1 | 1 | 1 | 1 | 1 | 1 | 1 | 1 | 1 | 1 | Fixed preamble |
| 2 | 1 | 1 | 1 | 1 | 1 | 1 | 1 | 1 | 1 | 1 | Fixed preamble |
| 3 | 0 | 1 | 0 | 1 | 0 | 0 | 0 | 0 | 0 | 0 | DID |
| 4 | \overline{EP} | EP | EF | 0 | Line[3:0] | | | | 0 | 0 | SDID |
| 5 | \overline{EP} | EP | 0 | 0 | 0 | 0 | 0 | 1 | 0 | 0 | Data count |
| 6 | Gemstar Word1[7:0] | | | | | | | | 0 | 0 | User data-words |
| 7 | Gemstar Word2[7:0] | | | | | | | | 0 | 0 | User data-words |
| 8 | 1 | 0 | 0 | 0 | 0 | 0 | 0 | 0 | 0 | 0 | UDW padding 0x200 |
| 9 | 1 | 0 | 0 | 0 | 0 | 0 | 0 | 0 | 0 | 0 | UDW padding 0x200 |
| 10 | \overline{CS} [8] | \overline{CS} [8] | \overline{CS} [7] | \overline{CS} [6] | \overline{CS} [5] | \overline{CS} [4] | \overline{CS} [3] | \overline{CS} [2] | \overline{CS} [1] | \overline{CS} [0] | Checksum |

Table 92. NTSC CCAP Data, Half-Byte Mode

| Byte | D[9] | D[8] | D[7] | D[6] | D[5] | D[4] | D[3] | D[2] | D[1] | D[0] | Description |
|------|--------------------|-------|-------|-------|-----------------|-------|-------|-------|-------|-------|-----------------|
| 0 | 0 | 0 | 0 | 0 | 0 | 0 | 0 | 0 | 0 | 0 | Fixed preamble |
| 1 | 1 | 1 | 1 | 1 | 1 | 1 | 1 | 1 | 1 | 1 | Fixed preamble |
| 2 | 1 | 1 | 1 | 1 | 1 | 1 | 1 | 1 | 1 | 1 | Fixed preamble |
| 3 | 0 | 1 | 0 | 1 | 0 | 0 | 0 | 0 | 0 | 0 | DID |
| 4 | \overline{EP} | EP | EF | 0 | 1 | 0 | 1 | 1 | 0 | 0 | SDID |
| 5 | \overline{EP} | EP | 0 | 0 | 0 | 0 | 0 | 1 | 0 | 0 | Data count |
| 6 | \overline{EP} | EP | 0 | 0 | CCAP Word1[7:4] | | | | 0 | 0 | User data-words |
| 7 | \overline{EP} | EP | 0 | 0 | CCAP Word1[3:0] | | | | 0 | 0 | User data-words |
| 8 | \overline{EP} | EP | 0 | 0 | CCAP Word2[7:4] | | | | 0 | 0 | User data-words |
| 9 | \overline{EP} | EP | 0 | 0 | CCAP Word2[3:0] | | | | 0 | 0 | User data-words |
| 10 | $\overline{CS[8]}$ | CS[8] | CS[7] | CS[6] | CS[5] | CS[4] | CS[3] | CS[2] | CS[1] | CS[0] | Checksum |

Table 93. NTSC CCAP Data, Full-Byte Mode

| Byte | D[9] | D[8] | D[7] | D[6] | D[5] | D[4] | D[3] | D[2] | D[1] | D[0] | Description |
|------|--------------------|-------|-------|-------|-------|-------|-------|-------|-------|-------|-------------------|
| 0 | 0 | 0 | 0 | 0 | 0 | 0 | 0 | 0 | 0 | 0 | Fixed preamble |
| 1 | 1 | 1 | 1 | 1 | 1 | 1 | 1 | 1 | 1 | 1 | Fixed preamble |
| 2 | 1 | 1 | 1 | 1 | 1 | 1 | 1 | 1 | 1 | 1 | Fixed preamble |
| 3 | 0 | 1 | 0 | 1 | 0 | 0 | 0 | 0 | 0 | 0 | DID |
| 4 | \overline{EP} | EP | EF | 0 | 1 | 0 | 1 | 1 | 0 | 0 | SDID |
| 5 | \overline{EP} | EP | 0 | 0 | 0 | 0 | 0 | 1 | 0 | 0 | Data count |
| 6 | CCAP Word1[7:0] | | | | | | | | 0 | 0 | User data-words |
| 7 | CCAP Word2[7:0] | | | | | | | | 0 | 0 | User data-words |
| 8 | 1 | 0 | 0 | 0 | 0 | 0 | 0 | 0 | 0 | 0 | UDW padding 0x200 |
| 9 | 1 | 0 | 0 | 0 | 0 | 0 | 0 | 0 | 0 | 0 | UDW padding 0x200 |
| 10 | $\overline{CS[8]}$ | CS[8] | CS[7] | CS[6] | CS[5] | CS[4] | CS[3] | CS[2] | CS[1] | CS[0] | Checksum |

Table 94. PAL CCAP Data, Half-Byte Mode

| Byte | D[9] | D[8] | D[7] | D[6] | D[5] | D[4] | D[3] | D[2] | D[1] | D[0] | Description |
|------|--------------------|-------|-------|-------|-----------------|-------|-------|-------|-------|-------|-----------------|
| 0 | 0 | 0 | 0 | 0 | 0 | 0 | 0 | 0 | 0 | 0 | Fixed preamble |
| 1 | 1 | 1 | 1 | 1 | 1 | 1 | 1 | 1 | 1 | 1 | Fixed preamble |
| 2 | 1 | 1 | 1 | 1 | 1 | 1 | 1 | 1 | 1 | 1 | Fixed preamble |
| 3 | 0 | 1 | 0 | 1 | 0 | 0 | 0 | 0 | 0 | 0 | DID |
| 4 | \overline{EP} | EP | EF | 0 | 1 | 0 | 1 | 0 | 0 | 0 | SDID |
| 5 | \overline{EP} | EP | 0 | 0 | 0 | 0 | 0 | 1 | 0 | 0 | Data count |
| 6 | \overline{EP} | EP | 0 | 0 | CCAP Word1[7:4] | | | | 0 | 0 | User data-words |
| 7 | \overline{EP} | EP | 0 | 0 | CCAP Word1[3:0] | | | | 0 | 0 | User data-words |
| 8 | \overline{EP} | EP | 0 | 0 | CCAP Word2[7:4] | | | | 0 | 0 | User data-words |
| 9 | \overline{EP} | EP | 0 | 0 | CCAP Word2[3:0] | | | | 0 | 0 | User data-words |
| 10 | $\overline{CS[8]}$ | CS[8] | CS[7] | CS[6] | CS[5] | CS[4] | CS[3] | CS[2] | CS[1] | CS[0] | Checksum |

Table 95. PAL CCAP Data, Full-Byte Mode

| Byte | D[9] | D[8] | D[7] | D[6] | D[5] | D[4] | D[3] | D[2] | D[1] | D[0] | Description |
|------|--------------------|-------|-------|-------|-------|-------|-------|-------|-------|-------|-------------------|
| 0 | 0 | 0 | 0 | 0 | 0 | 0 | 0 | 0 | 0 | 0 | Fixed preamble |
| 1 | 1 | 1 | 1 | 1 | 1 | 1 | 1 | 1 | 1 | 1 | Fixed preamble |
| 2 | 1 | 1 | 1 | 1 | 1 | 1 | 1 | 1 | 1 | 1 | Fixed preamble |
| 3 | 0 | 1 | 0 | 1 | 0 | 0 | 0 | 0 | 0 | 0 | DID |
| 4 | \overline{EP} | EP | EF | 0 | 1 | 0 | 1 | 0 | 0 | 0 | SDID |
| 5 | \overline{EP} | EP | 0 | 0 | 0 | 0 | 0 | 1 | 0 | 0 | Data count |
| 6 | CCAP Word1[7:0] | | | | | | | | 0 | 0 | User data-words |
| 7 | CCAP Word2[7:0] | | | | | | | | 0 | 0 | User data-words |
| 8 | 1 | 0 | 0 | 0 | 0 | 0 | 0 | 0 | 0 | 0 | UDW padding 0x200 |
| 9 | 1 | 0 | 0 | 0 | 0 | 0 | 0 | 0 | 0 | 0 | UDW padding 0x200 |
| 10 | $\overline{CS[8]}$ | CS[8] | CS[7] | CS[6] | CS[5] | CS[4] | CS[3] | CS[2] | CS[1] | CS[0] | Checksum |

NTSC CCAP Data

Half-byte output mode is selected by setting GDECAD to 0, and the full-byte mode is enabled by setting GDECAD to 1. See the GDECAD, Gemstar Decode Ancillary Data Format, Address 0x4C[0] section. The data packet formats are shown in Table 92 and Table 93. Only closed caption data can be embedded in the output data stream.

NTSC closed caption data is sliced on Line 21 of even and odd fields. The corresponding enable bit must be set high. See the GDECAD, Gemstar Decode Ancillary Data Format, Address 0x4C[0] section and the GDECOL[15:0], Gemstar Decoding Odd Lines, Address 0x4A[7:0], Address 0x4B[7:0] section.

PAL CCAP Data

Half-byte output mode is selected by setting GDECAD to 0, and full-byte output mode is selected by setting GDECAD to 1. See the GDECAD, Gemstar Decode Ancillary Data Format, Address 0x4C[0] section. Table 94 and Table 95 list the bytes of the data packet.

Only closed caption data can be embedded in the output data stream. PAL closed caption data is sliced from Line 22 and Line 335. The corresponding enable bits must be set.

See the GDECEL[15:0], Gemstar Decoding Even Lines, Address 0x48[7:0], Address 0x49[7:0] section and the GDECOL[15:0], Gemstar Decoding Odd Lines, Address 0x4A[7:0], Address 0x4B[7:0] section.

GDECEL[15:0], Gemstar Decoding Even Lines, Address 0x48[7:0], Address 0x49[7:0]

The 16 bits of GDECEL[15:0] are interpreted as a collection of 16 individual line decode enable signals. Each bit refers to a line of video in an even field. Setting the bit enables the decoder block trying to find Gemstar or closed caption-compatible data on that particular line. Setting the bit to 0 prevents the decoder from trying to retrieve data. See Table 96 and Table 97.

To retrieve closed caption data services on NTSC (Line 284), GDECEL[11] must be set.

To retrieve closed caption data services on PAL (Line 335), GDECEL[14] must be set.

The default value of GDECEL[15:0] is 0x0000. This setting instructs the decoder not to attempt to decode Gemstar or CCAP data from any line in the even field. The user should only enable Gemstar slicing on lines where VBI data is expected.

Table 96. NTSC Line Enable Bits and Corresponding Line Numbering

| Line[3:0] | Line Number (ITU-R BT.470) | Enable Bit | Comment |
|-----------|----------------------------|------------|---------------------------|
| 0 | 10 | GDECOL[0] | Gemstar |
| 1 | 11 | GDECOL[1] | Gemstar |
| 2 | 12 | GDECOL[2] | Gemstar |
| 3 | 13 | GDECOL[3] | Gemstar |
| 4 | 14 | GDECOL[4] | Gemstar |
| 5 | 15 | GDECOL[5] | Gemstar |
| 6 | 16 | GDECOL[6] | Gemstar |
| 7 | 17 | GDECOL[7] | Gemstar |
| 8 | 18 | GDECOL[8] | Gemstar |
| 9 | 19 | GDECOL[9] | Gemstar |
| 10 | 20 | GDECOL[10] | Gemstar |
| 11 | 21 | GDECOL[11] | Gemstar or closed caption |
| 12 | 22 | GDECOL[12] | Gemstar |
| 13 | 23 | GDECOL[13] | Gemstar |
| 14 | 24 | GDECOL[14] | Gemstar |
| 15 | 25 | GDECOL[15] | Gemstar |
| 0 | 273 (10) | GDECEL[0] | Gemstar |
| 1 | 274 (11) | GDECEL[1] | Gemstar |
| 2 | 275 (12) | GDECEL[2] | Gemstar |
| 3 | 276 (13) | GDECEL[3] | Gemstar |
| 4 | 277 (14) | GDECEL[4] | Gemstar |
| 5 | 278 (15) | GDECEL[5] | Gemstar |
| 6 | 279 (16) | GDECEL[6] | Gemstar |
| 7 | 280 (17) | GDECEL[7] | Gemstar |
| 8 | 281 (18) | GDECEL[8] | Gemstar |
| 9 | 282 (19) | GDECEL[9] | Gemstar |
| 10 | 283 (20) | GDECEL[10] | Gemstar |
| 11 | 284 (21) | GDECEL[11] | Gemstar or closed caption |
| 12 | 285 (22) | GDECEL[12] | Gemstar |
| 13 | 286 (23) | GDECEL[13] | Gemstar |
| 14 | 287 (24) | GDECEL[14] | Gemstar |
| 15 | 288 (25) | GDECEL[15] | Gemstar |

GDECOL[15:0], Gemstar Decoding Odd Lines, Address 0x4A[7:0], Address 0x4B[7:0]

The 16 bits of GDECOL[15:0] form a collection of 16 individual line decode enable signals. See Table 96 and Table 97.

To retrieve closed caption data services on NTSC (Line 21), GDECOL[11] must be set.

To retrieve closed caption data services on PAL (Line 22), GDECOL[14] must be set.

The default value of GDECOL[15:0] is 0x0000. This setting instructs the decoder not to attempt to decode Gemstar or CCAP data from any line in the odd field. The user should only enable Gemstar slicing on lines where VBI data is expected.

GDECAD, Gemstar Decode Ancillary Data Format, Address 0x4C[0]

The decoded data from Gemstar-compatible transmissions or closed caption-compatible transmissions is inserted into the horizontal blanking period of the respective line of video. A potential problem can arise if the retrieved data bytes have a value of 0x00 or 0xFF. In an ITU-R BT.656-compatible data stream, these values are reserved and used only to form a fixed preamble. The GDECAD bit allows the data to be inserted into the horizontal blanking period in two ways:

- Insert all data straight into the data stream, even the reserved values of 0x00 and 0xFF, if they occur. This may violate output data format specification ITU-R BT.1364.
- Split all data into nibbles and insert the half-bytes over double the number of cycles in a 4-bit format.

When GDECAD is 0 (default), the data is split into half-bytes and inserted.

When GDECAD is 1, the data is output straight into the data stream in 8-bit format.

Table 97. PAL Line Enable Bits and Line Numbering

| Line[3:0] | Line Number (ITU-R BT.470) | Enable Bit | Comment |
|-----------|----------------------------|------------|----------------|
| 12 | 8 | GDECOL[0] | Not valid |
| 13 | 9 | GDECOL[1] | Not valid |
| 14 | 10 | GDECOL[2] | Not valid |
| 15 | 11 | GDECOL[3] | Not valid |
| 0 | 12 | GDECOL[4] | Not valid |
| 1 | 13 | GDECOL[5] | Not valid |
| 2 | 14 | GDECOL[6] | Not valid |
| 3 | 15 | GDECOL[7] | Not valid |
| 4 | 16 | GDECOL[8] | Not valid |
| 5 | 17 | GDECOL[9] | Not valid |
| 6 | 18 | GDECOL[10] | Not valid |
| 7 | 19 | GDECOL[11] | Not valid |
| 8 | 20 | GDECOL[12] | Not valid |
| 9 | 21 | GDECOL[13] | Not valid |
| 10 | 22 | GDECOL[14] | Closed caption |
| 11 | 23 | GDECOL[15] | Not valid |
| 12 | 321 (8) | GDECEL[0] | Not valid |
| 13 | 322 (9) | GDECEL[1] | Not valid |
| 14 | 323 (10) | GDECEL[2] | Not valid |
| 15 | 324 (11) | GDECEL[3] | Not valid |
| 0 | 325 (12) | GDECEL[4] | Not valid |
| 1 | 326 (13) | GDECEL[5] | Not valid |
| 2 | 327 (14) | GDECEL[6] | Not valid |
| 3 | 328 (15) | GDECEL[7] | Not valid |
| 4 | 329 (16) | GDECEL[8] | Not valid |
| 5 | 330 (17) | GDECEL[9] | Not valid |
| 6 | 331 (18) | GDECEL[10] | Not valid |
| 7 | 332 (19) | GDECEL[11] | Not valid |
| 8 | 333 (20) | GDECEL[12] | Not valid |
| 9 | 334 (21) | GDECEL[13] | Not valid |
| 10 | 335 (22) | GDECEL[14] | Closed caption |
| 11 | 336 (23) | GDECEL[15] | Not valid |

Letterbox Detection

Incoming video signals may conform to different aspect ratios (16:9 wide screen or 4:3 standard). For certain transmissions in the wide-screen format, a digital sequence (WSS) is transmitted with the video signal. If a WSS sequence is provided, the aspect ratio of the video can be derived from the digitally decoded bits that WSS contains.

In the absence of a WSS sequence, letterbox detection can be used to find wide-screen signals. The detection algorithm examines the active video content of lines at the start and end of a field. If black lines are detected, this may indicate that the currently shown picture is in wide-screen format.

The active video content (luminance magnitude) over a line of video is summed together. At the end of a line, this accumulated value is compared with a threshold, and a decision is made as to whether or not a particular line is black. The threshold value needed may depend on the type of input signal; some control is provided via LB_TH[4:0].

Detection at the Start of a Field

The ADV7180 expects a section of at least six consecutive black lines of video at the top of a field. After those lines are detected, LB_LCT[7:0] reports the number of black lines that were actually found. By default, the ADV7180 starts looking for those black lines in sync with the beginning of active video, for example, immediately after the last VBI video line. LB_SL[3:0] allows the user to set the start of letterbox detection from the beginning of a frame on a line-by-line basis. The detection window closes in the middle of the field.

Detection at the End of a Field

The ADV7180 expects at least six continuous lines of black video at the bottom of a field before reporting the number of lines actually found via the LB_LCB[7:0] value. The activity window for letterbox detection (end of field) starts in the middle of an active field. Its end is programmable via LB_EL[3:0].

Detection at the Midrange

Some transmissions of wide-screen video include subtitles within the lower black box. If the ADV7180 finds at least two black lines followed by some more nonblack video, for example, the subtitle followed by the remainder of the bottom black block, it reports a midcount via LB_LCM[7:0]. If no subtitles are found, LB_LCM[7:0] reports the same number as LB_LCB[7:0].

There is a two-field delay in reporting any line count parameter.

There is no letterbox detected bit. Read the LB_LCT[7:0] and LB_LCB[7:0] register values to determine whether the letterbox-type video is present in the software.

LB_LCT[7:0], Letterbox Line Count Top, Address 0x9B[7:0];
LB_LCM[7:0], Letterbox Line Count Mid, Address 0x9C[7:0];
LB_LCB[7:0], Letterbox Line Count Bottom, Address 0x9D[7:0]

Table 98. LB_LCx Access Information

| Signal Name | Address |
|-------------|---------|
| LB_LCT[7:0] | 0x9B |
| LB_LCM[7:0] | 0x9C |
| LB_LCB[7:0] | 0x9D |

LB_TH[4:0], Letterbox Threshold Control, Address 0xDC[4:0]

Table 99. LB_TH Function

| LB_TH[4:0] | Description |
|-----------------|---|
| 01100 (default) | Default threshold for detection of black lines |
| 01101 to 10000 | Increase threshold (need larger active video content before identifying nonblack lines) |
| 00000 to 01011 | Decrease threshold (even small noise levels can cause the detection of nonblack lines) |

LB_SL[3:0], Letterbox Start Line, Address 0xDD[7:4]

The LB_SL[3:0] bits are set at 0100 by default. For an NTSC signal, this window is from Line 23 to Line 286.

By changing the bits to 0101, the detection window starts on Line 24 and ends on Line 287.

LB_EL[3:0], Letterbox End Line, Address 0xDD[3:0]

The LB_EL[3:0] bits are set at 1101 by default. This means that the letterbox detection window ends with the last active video line. For an NTSC signal, this window is from Line 262 to Line 525.

By changing the bits to 1100, the detection window starts on Line 261 and ends on Line 254.

PIXEL PORT CONFIGURATION

The ADV7180 has a very flexible pixel port that can be configured in a variety of formats to accommodate downstream ICs.

Table 100, Table 101, and Table 102 summarize the various functions that the ADV7180 pins can have in different modes of operation.

The ordering of components, for example, Cr vs. Cb for Channel A, Channel B, and Channel C can be changed. See the SWPC, Swap Pixel Cr/Cb, Address 0x27[7] section. Table 100 indicates the default positions for the Cr/Cb components.

OF_SEL[3:0], Output Format Selection, Address 0x03[5:2]

The modes in which the ADV7180 pixel port can be configured are under the control of OF_SEL[3:0]. See Table 102 for details.

The default LLC frequency output on the LLC pin is approximately 27 MHz. For modes that operate with a nominal data rate of 13.5 MHz (0001, 0010), the clock frequency on the LLC pin stays at the higher rate of 27 MHz. For information on outputting the nominal 13.5 MHz clock on the LLC pin, see the LLC_PAD_SEL[2:0] LLC Output Selection, Address 0x8F[6:4] section.

SWPC, Swap Pixel Cr/Cb, Address 0x27[7]

This bit allows Cr and Cb samples to be swapped.

When SWPC is 0 (default), no swapping is allowed.

When SWPC is 1, the Cr and Cb values can be swapped.

LLC_PAD_SEL[2:0] LLC Output Selection, Address 0x8F[6:4]

The following I²C write allows the user to select between LLC (nominally at 27 MHz) and LLC (nominally at 13.5 MHz).

The LLC signal is useful for LLC-compatible wide bus (16-bit) output modes. See the OF_SEL[3:0], Output Format Selection, Address 0x03[5:2] section for additional information. The LLC signal and data on the data bus are synchronized. By default, the rising edge of LLC/LLC is aligned with the Y data; the falling edge occurs when the data bus holds C data. The polarity of the clock, and therefore the Y/C assignments to the clock edges, can be altered by using the polarity LLC pin.

When LLC_PAD_SEL is 000, the output is nominally 27 MHz LLC on the LLC pin (default).

When LLC_PAD_SEL is 101, the output is nominally 13.5 MHz LLC on the LLC pin.

Table 100. 64-Lead LQFP P15 to P0 Output/Input Pin Mapping

| Format and Mode | Data Port Pins P[15:0] | | | | | | | | | | | | | | |
|--------------------------|------------------------|----|----|----|----|----|---|--------------|---|---|---|---|---|---|---|
| | 15 | 14 | 13 | 12 | 11 | 10 | 9 | 8 | 7 | 6 | 5 | 4 | 3 | 2 | 1 |
| Video Out, 8-Bit, 4:2:2 | YCrCb[7:0]OUT | | | | | | | CrCb[7:0]OUT | | | | | | | |
| Video Out, 16-Bit, 4:2:2 | Y[7:0]OUT | | | | | | | CrCb[7:0]OUT | | | | | | | |

Table 101. 48-Lead, 40-Lead, and 32-Lead Devices P7 to P0 Output/Input Pin Mapping

| Format and Mode | Data Port Pins P[7:0] | | | | | | |
|-------------------------|-----------------------|---|---|---|---|---|---|
| | 7 | 6 | 5 | 4 | 3 | 2 | 1 |
| Video Out, 8-Bit, 4:2:2 | YCrCb[7:0]OUT | | | | | | |

Table 102. ADV7180 Standard Definition Pixel Port Modes

| OF_SEL[3:0] | Format | 64-Lead LQFP P[15:0] | | 48-Lead LQFP, 40-Lead LFCSP, or 32-Lead LFCSP | |
|----------------|------------------------------|----------------------|-------------|---|--|
| | | P[15:8] | P[7:0] | P[7:0] | |
| 0000 to 0001 | Reserved | Reserved, do not use | | | |
| 0010 | 16-bit at LLC 4:2:2 | Y[7:0] | CrCb[7:0] | Not valid | |
| 0011 (default) | 8-bit at LLC 4:2:2 (default) | YCrCb[7:0] | Three-state | YCrCb[7:0] | |
| 0100 to 1111 | Reserved | Reserved, do not use | | | |

GPO CONTROL

The 64-lead and 48-lead LQFP has four general-purpose outputs (GPO). These outputs allow the user to control other devices in a system via the I²C port of the device.

The 40-lead and 32-lead LFCSP do not have GPO pins.

GPO_ENABLE, General-Purpose Output Enable, Address 0x59[4]

When GPO_ENABLE is set to 0, all GPO pins are three-stated.

When GPO_ENABLE is set to 1, all GPO pins are in a driven state. The polarity output from each GPO is controlled by GPO[3:0] for the 64-lead and 48-lead LQFP.

GPO[3:0], General-Purpose Outputs, Address 0x59[3:0]

Individual control of the four GPO ports is achieved using GPO[3:0].

GPO_ENABLE must be set to 1 for the GPO pins to become active.

GPO[0]

When GPO[0] is set to 0, Logic 0 is output from the GPO0 pin.

When GPO[0] is set to 1, Logic 1 is output from the GPO0 pin.

GPO[1]

When GPO[1] is set to 0, Logic 0 is output from the GPO1 pin.

When GPO[1] is set to 1, Logic 1 is output from the GPO1 pin.

GPO[2]

When GPO[2] is set to 0, Logic is output from the GPO2 pin.

When GPO[2] is set to 1, Logic 1 is output from the GPO2 pin.

GPO[3]

When GPO[3] is set to 0, Logic 0 is output from the GPO3 pin.

When GPO[3] is set to 1, Logic 1 is output from the GPO3 pin.

Table 103. General-Purpose Output Truth Table

| GPO_ENABLE | GPO[3:0] | GPO3 | GPO2 | GPO1 | GPO0 |
|------------|-------------------|------|------|------|------|
| 0 | XXXX ¹ | Z | Z | Z | Z |
| 1 | 0000 | 0 | 0 | 0 | 0 |
| 1 | 0001 | 0 | 0 | 0 | 1 |
| 1 | 0010 | 0 | 0 | 1 | 0 |
| 1 | 0011 | 0 | 0 | 1 | 1 |
| 1 | 0100 | 0 | 1 | 0 | 0 |
| 1 | 0101 | 0 | 1 | 0 | 1 |
| 1 | 0110 | 0 | 1 | 1 | 0 |
| 1 | 0111 | 0 | 1 | 1 | 1 |
| 1 | 1000 | 1 | 0 | 0 | 0 |
| 1 | 1001 | 1 | 0 | 0 | 1 |
| 1 | 1010 | 1 | 0 | 1 | 0 |
| 1 | 1011 | 1 | 0 | 1 | 1 |
| 1 | 1100 | 1 | 1 | 0 | 0 |
| 1 | 1101 | 1 | 1 | 0 | 1 |
| 1 | 1110 | 1 | 1 | 1 | 0 |
| 1 | 1111 | 1 | 1 | 1 | 1 |

¹ X indicates any value.

MPU PORT DESCRIPTION

The ADV7180 supports a 2-wire (I²C-compatible) serial interface. Two inputs, serial data (SDATA) and serial clock (SCLK), carry information between the ADV7180 and the system I²C master controller. Each slave device is recognized by a unique address. The ADV7180 I²C port allows the user to set up and configure the decoder and to read back the captured VBI data. The ADV7180 has four possible slave addresses for both read and write operations, depending on the logic level of the ALSB pin. The four unique addresses are shown in Table 104. The ADV7180 ALSB pin controls Bit 1 of the slave address. By altering the ALSB, it is possible to control two ADV7180s in an application without the conflict of using the same slave address. The LSB (Bit 0) sets either a read or write operation. Logic 1 corresponds to a read operation, and Logic 0 corresponds to a write operation.

Table 104. I²C Address for ADV7180

| ALSB | R/W | Slave Address |
|------|-----|---------------|
| 0 | 0 | 0x40 |
| 0 | 1 | 0x41 |
| 1 | 0 | 0x42 |
| 1 | 1 | 0x43 |

To control the device on the bus, a specific protocol must be followed. First, the master initiates a data transfer by establishing a start condition, which is defined by a high-to-low transition on SDATA while SCLK remains high. This indicates that an address/data stream follows. All peripherals respond to the start condition and shift the next eight bits (the 7-bit address plus the R/W bit). The bits are transferred from MSB down to LSB. The peripheral that recognizes the transmitted address responds by pulling the data line low during the ninth clock pulse; this is known as an acknowledge bit. All other devices withdraw from the bus at this point and maintain an idle condition. The idle condition is where the device monitors the SDATA and SCLK lines for the start condition and the correct transmitted address. The R/W bit determines the direction of the data. Logic 0 on the LSB of

the first byte means that the master writes information to the peripheral. Logic 1 on the LSB of the first byte means that the master reads information from the peripheral.

The ADV7180 acts as a standard slave device on the bus. The data on the SDATA pin is eight bits long, supporting the 7-bit address plus the R/W bit. The device has 249 subaddresses to enable access to the internal registers. It, therefore, interprets the first byte as the device address and the second byte as the starting subaddress. The subaddresses auto-increment, allowing data to be written to or read from the starting subaddress. A data transfer is always terminated by a stop condition. The user can also access any unique subaddress register on a one-by-one basis without updating all the registers.

Stop and start conditions can be detected at any stage during the data transfer. If these conditions are asserted out of sequence with normal read and write operations, they cause an immediate jump to the idle condition. During a given SCLK high period, the user should only issue one start condition, one stop condition, or a single stop condition followed by a single start condition. If an invalid subaddress is issued by the user, the ADV7180 does not issue an acknowledge and returns to the idle condition.

In auto-increment mode, if the user exceeds the highest subaddress, the following action is taken:

- In read mode, the highest subaddress register contents continue to be output until the master device issues a no acknowledge. This indicates the end of a read. A no acknowledge condition occurs when the SDATA line is not pulled low on the ninth pulse.
- In write mode, the data for the invalid byte is not loaded into any subaddress register. A no acknowledge is issued by the ADV7180, and the part returns to the idle condition.

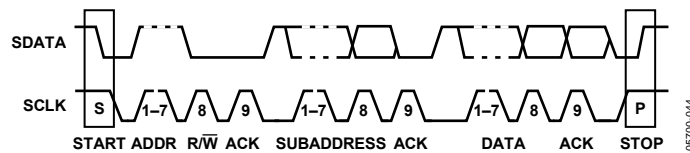


Figure 51. Bus Data Transfer

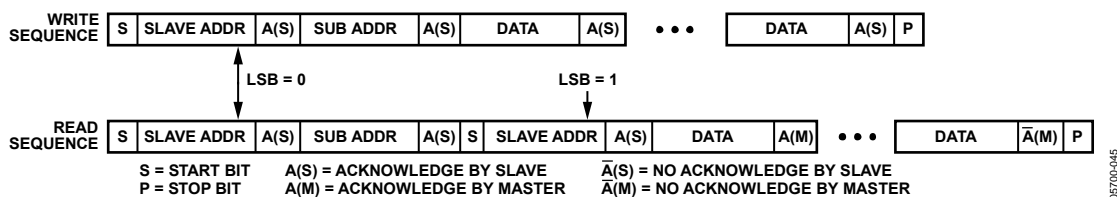


Figure 52. Read and Write Sequence

REGISTER ACCESS

The MPU can write to or read from all of the ADV7180 registers except the subaddress register, which is write only. The subaddress register determines which register the next read or write operation accesses. All communications with the part through the bus start with an access to the subaddress register. A read/write operation is then performed from or to the target address, which increments to the next address until a stop command on the bus is performed.

REGISTER PROGRAMMING

The following sections describe the configuration for each register. The communication register is an 8-bit, write-only register. After the part is accessed over the bus and a read/write operation is selected, the subaddress is set up. The subaddress register determines to or from which register the operation takes place. Table 105 lists the various operations under the control of the subaddress register for the control port.

SUB_USR_EN, Address 0x0E[5]

This bit splits the register map at Register 0x40.

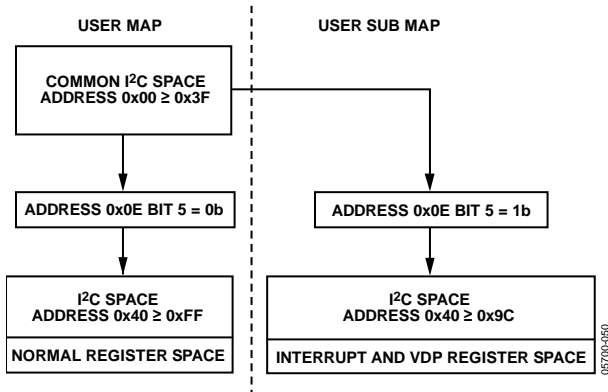


Figure 53. Register Access—User Map and User Sub Map

Register Select (SR7 to SR0)

These bits are set up to point to the required starting address.

I²C SEQUENCER

An I²C sequencer is used when a parameter exceeds eight bits and is therefore distributed over two or more I²C registers, for example, HSB[10:0].

When such a parameter is changed using two or more I²C write operations, the parameter may hold an invalid value for the time between the first I²C being completed and the last I²C being completed. In other words, the top bits of the parameter may hold the new value while the remaining bits of the parameter still hold the previous value.

To avoid this problem, the I²C sequencer holds the updated bits of the parameter in local memory, and all bits of the parameter are updated together once the last register write operation has completed.

The correct operation of the I²C sequencer relies on the following:

- All I²C registers for the parameter in question must be written to in order of ascending addresses. For example, for HSB[10:0], write to Address 0x34 first, followed by 0x35, and so on.
- No other I²C can take place between the two (or more) I²C writes for the sequence. For example, for HSB[10:0], write to Address 0x34 first, immediately followed by 0x35, and so on.

I²C REGISTER MAPS

Table 105. Main Register Map Details

| Address | Dec | Hex | Register Name | RW | 7 | 6 | 5 | 4 | 3 | 2 | 1 | 0 | Reset Value | (Hex) |
|---------|-----|-----|--------------------------------------|----|--------------|----------------|----------------|----------------|-----------------|----------------------|-----------------|------------------|-------------|-------|
| 0 | 00 | | Input control | RW | VID_SEL[3] | VID_SEL[2] | VID_SEL[1] | VID_SEL[0] | INSEL[3] | INSEL[2] | INSEL[1] | INSEL[0] | 00000000 | 00 |
| 1 | 01 | | Video selection | RW | | ENHSPLL | BETACAM | | ENVSPROC | SQPE | | | 11001000 | C8 |
| 3 | 03 | | Output control | RW | VBI_EN | TOD | OF_SEL[3] | OF_SEL[2] | OF_SEL[1] | OF_SEL[0] | | SD_DUP_AV | 00001100 | 0C |
| 4 | 04 | | Extended output control | RW | BT.656-4 | | | | TIM_OE | BL_C_VBI | EN_SFL_PIN | Range | 01xx0101 | 45 |
| 5 | 05 | | Reserved | | | | | | | | | | | |
| 6 | 06 | | Reserved | | | | | | | | | | | |
| 7 | 07 | | Autodetect enable | RW | AD_SECS25_EN | AD_SECAM_EN | AD_N443_EN | AD_P60_EN | AD_PALM_EN | AD_PALM_EN | AD_NTSC_EN | AD_PAL_EN | 01111111 | 7F |
| 8 | 08 | | Contrast | RW | CON[7] | CON[6] | CON[5] | CON[4] | CON[3] | CON[2] | CON[1] | CON[0] | 10000000 | 80 |
| 9 | 09 | | Reserved | | | | | | | | | | | |
| 10 | 0A | | Brightness | RW | BRI[7] | BRI[6] | BRI[5] | BRI[4] | BRI[3] | BRI[2] | BRI[1] | BRI[0] | 00000000 | 00 |
| 11 | 0B | | Hue | RW | HUE[7] | HUE[6] | HUE[5] | HUE[4] | HUE[3] | HUE[2] | HUE[1] | HUE[0] | 00000000 | 00 |
| 12 | 0C | | Default Value Y | RW | DEF_Y[5] | DEF_Y[4] | DEF_Y[3] | DEF_Y[2] | DEF_Y[1] | DEF_Y[0] | DEF_VAL_AUTO_EN | DEF_VAL_EN | 00110110 | 36 |
| 13 | 0D | | Default Value C | RW | DEF_C[7] | DEF_C[6] | DEF_C[5] | DEF_C[4] | DEF_C[3] | DEF_C[2] | DEF_C[1] | DEF_C[0] | 01111100 | 7C |
| 14 | 0E | | ADI Control 1 | RW | | | SUB_USR_EN | | | | | | 00000000 | 00 |
| 15 | 0F | | Power management | RW | Reset | | PWRDWN | | | PDBP | | | 00000000 | 00 |
| 16 | 10 | | Status 1 | R | COL_KILL | AD_RESULT[2] | AD_RESULT[1] | AD_RESULT[0] | FOLLOW_PW | FSC_LOCK | LOST_LOCK | IN_LOCK | | |
| 17 | 11 | | IDENT | R | IDENT[7] | IDENT[6] | IDENT[5] | IDENT[4] | IDENT[3] | IDENT[2] | IDENT[1] | IDENT[0] | 00011100 | 1C |
| 18 | 12 | | Status 2 | R | | | FSC_NSTD | LL_NSTD | MV_AGC_DET | MV_PS_DET | MVCS_T3 | MVCS_DET | | |
| 19 | 13 | | Status 3 | R | PAL_SW_LOCK | Interlaced | STD_FLD_LEN | FREE_RUN_ACT | Reserved | SD_OP_50Hz | GEMD | INST_HLOCK | | |
| 20 | 14 | | Analog clamp control | RW | | | | CLEN | | | | | 00010010 | 12 |
| 21 | 15 | | Digital Clamp Control 1 | RW | | DCT[1] | DCT[0] | DCFE | | | | | 0000xxxx | 00 |
| 22 | 16 | | Reserved | | | | | | | | | | | |
| 23 | 17 | | Shaping Filter Control 1 | RW | CSFM[2] | CSFM[1] | CSFM[0] | YSFM[4] | YSFM[3] | YSFM[2] | YSFM[1] | YSFM[0] | 00000001 | 01 |
| 24 | 18 | | Shaping Filter Control 2 | RW | WYSFMOVR | | | WYSFM[4] | WYSFM[3] | WYSFM[2] | WYSFM[1] | WYSFM[0] | 10010011 | 93 |
| 25 | 19 | | Comb filter control | RW | | | | | NSFSEL[1] | NSFSEL[0] | PSFSEL[1] | PSFSEL[0] | 11110001 | F1 |
| 29 | 1D | | ADI Control 2 | RW | TRI_LLC | EN28XTAL | | | | | | | 01000xxx | 40 |
| 39 | 27 | | Pixel delay control | RW | SWPC | AUTO_PDC_EN | CTA[2] | CTA[1] | CTA[0] | | LTA[1] | LTA[0] | 01011000 | 58 |
| 43 | 2B | | Misc gain control | RW | | CKE | | | | | | PW_UPD | 11100001 | E1 |
| 44 | 2C | | AGC mode control | RW | | LAGC[2] | LAGC[1] | LAGC[0] | | | CAGC[1] | CAGC[0] | 10101110 | AE |
| 45 | 2D | | Chroma Gain Control 1 | W | CAGT[1] | CAGT[0] | | | CMG[11] | CMG[10] | CMG[9] | CMG[8] | 11110100 | F4 |
| 45 | 2D | | Chroma Gain 1 | R | | | | | CG[11] | CG[10] | CG[9] | CG[8] | | |
| 46 | 2E | | Chroma Gain Control 2 | W | CMG[7] | CMG[6] | CMG[5] | CMG[4] | CMG[3] | CMG[2] | CMG[1] | CMG[0] | 00000000 | 00 |
| 46 | 2E | | Chroma Gain 2 | R | CG[7] | CG[6] | CG[5] | CG[4] | CG[3] | CG[2] | CG[1] | CG[0] | | |
| 47 | 2F | | Luma Gain Control 1 | W | LAGT[1] | LAGT[0] | | | LMG[11] | LMG[10] | LMG[9] | LMG[8] | 1111xxxx | F0 |
| 47 | 2F | | Luma Gain 1 | R | | | | | LG[11] | LG[10] | LG[9] | LG[8] | | |
| 48 | 30 | | Luma Gain Control 2 | W | LMG[7] | LMG[6] | LMG[5] | LMG[4] | LMG[3] | LMG[2] | LMG[1] | LMG[0] | xxxxxxx | 00 |
| 48 | 30 | | Luma Gain 2 | R | LG[7] | LG[6] | LG[5] | LG[4] | LG[3] | LG[2] | LG[1] | LG[0] | | |
| 49 | 31 | | VS/FIELD Control 1 | RW | | | | NEWAVMODE | HVSTIM | | | | 00010010 | 12 |
| 50 | 32 | | VS/FIELD Control 2 | RW | VSBHO | VSBHE | | | | | | | 01000001 | 41 |
| 51 | 33 | | VS/FIELD Control 3 | RW | VSEHO | VSEHE | | | | | | | 10000100 | 84 |
| 52 | 34 | | HS Position Control 1 | RW | | HSB[10] | HSB[9] | HSB[8] | | HSE[10] | HSE[9] | HSE[8] | 00000000 | 00 |
| 53 | 35 | | HS Position Control 2 | RW | HSB[7] | HSB[6] | HSB[5] | HSB[4] | HSB[3] | HSB[2] | HSB[1] | HSB[0] | 00000010 | 02 |
| 54 | 36 | | HS Position Control 3 | RW | HSE[7] | HSE[6] | HSE[5] | HSE[4] | HSE[3] | HSE[2] | HSE[1] | HSE[0] | 00000000 | 00 |
| 55 | 37 | | Polarity | RW | PHS | | PVS | | PF | | | PCLK | 00000001 | 01 |
| 56 | 38 | | NTSC comb control | RW | CTAPSN[1] | CTAPSN[0] | CCMN[2] | CCMN[1] | CCMN[0] | YCMN[2] | YCMN[1] | YCMN[0] | 10000000 | 80 |
| 57 | 39 | | PAL comb control | RW | CTAPSP[1] | CTAPSP[0] | CCMP[2] | CCMP[1] | CCMP[0] | YCMP[2] | YCMP[1] | YCMP[0] | 11000000 | C0 |
| 58 | 3A | | ADC control | RW | | | | | PWRDWN_MUX_0 | PWRDWN_MUX_1 | PWRDWN_MUX_2 | MUX_PDN_override | 00010000 | 10 |
| 61 | 3D | | Manual window control | RW | | CKILLTHR[2] | CKILLTHR[1] | CKILLTHR[0] | | | | | 01110010 | B2 |
| 65 | 41 | | Resample control | RW | | SFL_INV | | | | | | | 00000001 | 01 |
| 72 | 48 | | Gemstar Control 1 | RW | GDECEL[15] | GDECEL[14] | GDECEL[13] | GDECEL[12] | GDECEL[11] | GDECEL[10] | GDECEL[9] | GDECEL[8] | 00000000 | 00 |
| 73 | 49 | | Gemstar Control 2 | RW | GDECEL[7] | GDECEL[6] | GDECEL[5] | GDECEL[4] | GDECEL[3] | GDECEL[2] | GDECEL[1] | GDECEL[0] | 00000000 | 00 |
| 74 | 4A | | Gemstar Control 3 | RW | GDECOL[15] | GDECOL[14] | GDECOL[13] | GDECOL[12] | GDECOL[11] | GDECOL[10] | GDECOL[9] | GDECOL[8] | 00000000 | 00 |
| 75 | 4B | | Gemstar Control 4 | RW | GDECOL[7] | GDECOL[6] | GDECOL[5] | GDECOL[4] | GDECOL[3] | GDECOL[2] | GDECOL[1] | GDECOL[0] | 00000000 | 00 |
| 76 | 4C | | Gemstar Control 5 | RW | | | | | GDE_SEL_OLD_ADF | | | GDECAD | xxxx0000 | 00 |
| 77 | 4D | | CTI DNR Control 1 | RW | | | DNR_EN | | CTI_AB[1] | CTI_AB[0] | CTI_AB_EN | | 11101111 | EF |
| 78 | 4E | | CTI DNR Control 2 | RW | CTI_C_TH[7] | CTI_C_TH[6] | CTI_C_TH[5] | CTI_C_TH[4] | CTI_C_TH[3] | CTI_C_TH[2] | CTI_C_TH[1] | CTI_C_TH[0] | 00001000 | 08 |
| 80 | 50 | | CTI DNR Control 4 | RW | DNR_TH[7] | DNR_TH[6] | DNR_TH[5] | DNR_TH[4] | DNR_TH[3] | DNR_TH[2] | DNR_TH[1] | DNR_TH[0] | 00001000 | 08 |
| 81 | 51 | | Lock count | RW | FSCLE | SRLS | COL[2] | COL[1] | COL[0] | CIL[2] | CIL[1] | CIL[0] | 00100100 | 24 |
| 88 | 58 | | VS/FIELD pin control ¹ | RW | | | | | | ADC sampling control | | VS/FIELD | 00000000 | 00 |
| 89 | 59 | | General-purpose outputs ² | RW | | | | GPO_ENABLE | GPO[3] | GPO[2] | GPO[1] | GPO[0] | 00000000 | 00 |
| 143 | 8F | | Free-Run Line Length 1 | W | | LLC_PAD_SEL[2] | LLC_PAD_SEL[1] | LLC_PAD_SEL[0] | | | | | 00000000 | 00 |
| 153 | 99 | | CCAP 1 | R | CCAP1[7] | CCAP1[6] | CCAP1[5] | CCAP1[4] | CCAP1[3] | CCAP1[2] | CCAP1[1] | CCAP1[0] | | |
| 154 | 9A | | CCAP 2 | R | CCAP2[7] | CCAP2[6] | CCAP2[5] | CCAP2[4] | CCAP2[3] | CCAP2[2] | CCAP2[1] | CCAP2[0] | | |

| Address | Dec | Hex | Register Name | RW | 7 | 6 | 5 | 4 | 3 | 2 | 1 | 0 | Reset Value | (Hex) |
|---------|-----|-----|---------------------|----|-----------------|-----------------|-----------------|-----------------|------------------|------------------|--------------------|--------------------|-------------|-------|
| 155 | 9B | | Letterbox 1 | R | LB_LCT[7] | LB_LCT[6] | LB_LCT[5] | LB_LCT[4] | LB_LCT[3] | LB_LCT[2] | LB_LCT[1] | LB_LCT[0] | | |
| 156 | 9C | | Letterbox 2 | R | LB_LCM[7] | LB_LCM[6] | LB_LCM[5] | LB_LCM[4] | LB_LCM[3] | LB_LCM[2] | LB_LCM[1] | LB_LCM[0] | | |
| 157 | 9D | | Letterbox 3 | R | LB_LCB[7] | LB_LCB[6] | LB_LCB[5] | LB_LCB[4] | LB_LCB[3] | LB_LCB[2] | LB_LCB[1] | LB_LCB[0] | | |
| 178 | B2 | | CRC enable | W | | | | | | CRC_ENABLE | | | 00011100 | 1C |
| 195 | C3 | | ADC Switch 1 | RW | Reserved | MUX1[2] | MUX1[1] | MUX1[0] | Reserved | MUX0[2] | MUX0[1] | MUX0[0] | xxxxxxx | 00 |
| 196 | C4 | | ADC Switch 2 | RW | MAN_MUX_EN | | | | Reserved | MUX2[2] | MUX2[1] | MUX2[0] | 0xxxxxx | 00 |
| 220 | DC | | Letterbox Control 1 | RW | | | | LB_TH[4] | LB_TH[3] | LB_TH[2] | LB_TH[1] | LB_TH[0] | 10101100 | AC |
| 221 | DD | | Letterbox Control 2 | RW | LB_SL[3] | LB_SL[2] | LB_SL[1] | LB_SL[0] | LB_EL[3] | LB_EL[2] | LB_EL[1] | LB_EL[0] | 01001100 | 4C |
| 222 | DE | | ST Noise Readback 1 | R | | | | | ST_NOISE_VLD | ST_NOISE[10] | ST_NOISE[9] | ST_NOISE[8] | | |
| 223 | DF | | ST Noise Readback 2 | R | ST_NOISE[7] | ST_NOISE[6] | ST_NOISE[5] | ST_NOISE[4] | ST_NOISE[3] | ST_NOISE[2] | ST_NOISE[1] | ST_NOISE[0] | | |
| 224 | E0 | | Reserved | | | | | | | | | | | |
| 225 | E1 | | SD Offset Cb | RW | SD_OFF_Cb[7] | SD_OFF_Cb[6] | SD_OFF_Cb[5] | SD_OFF_Cb[4] | SD_OFF_Cb[3] | SD_OFF_Cb[2] | SD_OFF_Cb[1] | SD_OFF_Cb[0] | 10000000 | 80 |
| 226 | E2 | | SD Offset Cr | RW | SD_OFF_Cr[7] | SD_OFF_Cr[6] | SD_OFF_Cr[5] | SD_OFF_Cr[4] | SD_OFF_Cr[3] | SD_OFF_Cr[2] | SD_OFF_Cr[1] | SD_OFF_Cr[0] | 10000000 | 80 |
| 227 | E3 | | SD Saturation Cb | RW | SD_SAT_Cb[7] | SD_SAT_Cb[6] | SD_SAT_Cb[5] | SD_SAT_Cb[4] | SD_SAT_Cb[3] | SD_SAT_Cb[2] | SD_SAT_Cb[1] | SD_SAT_Cb[0] | 10000000 | 80 |
| 228 | E4 | | SD Saturation Cr | RW | SD_SAT_Cr[7] | SD_SAT_Cr[6] | SD_SAT_Cr[5] | SD_SAT_Cr[4] | SD_SAT_Cr[3] | SD_SAT_Cr[2] | SD_SAT_Cr[1] | SD_SAT_Cr[0] | 10000000 | 80 |
| 229 | E5 | | NTSC V bit begin | RW | NVBEGDELO | NVBEGDELE | NVBEGSIGN | NVBEG[4] | NVBEG[3] | NVBEG[2] | NVBEG[1] | NVBEG[0] | 00100101 | 25 |
| 230 | E6 | | NTSC V bit end | RW | NVENDDELO | NVENDDELE | NVENDSIGN | NVEND[4] | NVEND[3] | NVEND[2] | NVEND[1] | NVEND[0] | 00000100 | 04 |
| 231 | E7 | | NTSC F bit toggle | RW | NFTOGDELO | NFTOGDELE | NFTOGSIGN | NFTOG[4] | NFTOG[3] | NFTOG[2] | NFTOG[1] | NFTOG[0] | 01100011 | 63 |
| 232 | E8 | | PAL V bit begin | RW | PVBEGDELO | PVBEGDELE | PVBEGSIGN | PVBEG[4] | PVBEG[3] | PVBEG[2] | PVBEG[1] | PVBEG[0] | 01100101 | 65 |
| 233 | E9 | | PAL V bit end | RW | PVENDDELO | PVENDDELE | PVENDSIGN | PVEND[4] | PVEND[3] | PVEND[2] | PVEND[1] | PVEND[0] | 00010100 | 14 |
| 234 | EA | | PAL F bit toggle | RW | PFTOGDELO | PFTOGDELE | PFTOGSIGN | PFTOG[4] | PFTOG[3] | PFTOG[2] | PFTOG[1] | PFTOG[0] | 01100011 | 63 |
| 235 | EB | | Vblank Control 1 | RW | NVBIOLCM[1] | NVBIOLCM[0] | NVBIELCM[1] | NVBIELCM[0] | PVBIOLCM[1] | PVBIOLCM[0] | PVBIELCM[1] | PVBIELCM[0] | 01010101 | 55 |
| 236 | EC | | Vblank Control 2 | RW | NVBIOCCM[1] | NVBIOCCM[0] | NVBI ECCM[1] | NVBI ECCM[0] | PVBI OCCM[1] | PVBI OCCM[0] | PVBI ECCM[1] | PVBI ECCM[0] | 01010101 | 55 |
| 243 | F3 | | AFE_CONTROL 1 | RW | | | | | AA_FILT_MAN_OVR | AA_FILT_EN[2] | AA_FILT_EN[1] | AA_FILT_EN[0] | 00000000 | 00 |
| 244 | F4 | | Drive strength | RW | | | DR_STR[1] | DR_STR[0] | DR_STR_C[1] | DR_STR_C[0] | DR_STR_S[1] | DR_STR_S[0] | xx010101 | 15 |
| 248 | F8 | | IF comp control | RW | | | | | | IFFILTSEL[2] | IFFILTSEL[1] | IFFILTSEL[0] | 00000000 | 00 |
| 249 | F9 | | VS mode control | RW | | | | | VS_COAST_MODE[1] | VS_COAST_MODE[0] | EXTEND_VS_MIN_FREQ | EXTEND_VS_MAX_FREQ | 00000011 | 03 |
| 251 | FB | | Peaking control | RW | PEAKING_GAIN[7] | PEAKING_GAIN[6] | PEAKING_GAIN[5] | PEAKING_GAIN[4] | PEAKING_GAIN[3] | PEAKING_GAIN[2] | PEAKING_GAIN[1] | PEAKING_GAIN[0] | 01000000 | 40 |
| 252 | FC | | Coring threshold | RW | DNR_TH2[7] | DNR_TH2[6] | DNR_TH2[5] | DNR_TH2[4] | DNR_TH2[3] | DNR_TH2[2] | DNR_TH2[1] | DNR_TH2[0] | 00000100 | 04 |

¹ This feature applies to the 48-lead, 40-lead, and 32-lead LFCSF only because VS or FIELD is shared on a single pin.

² This feature applies to the 64-lead and 48-lead LQFP only.

Table 106. Interrupt System Register Map Details^{1, 2}

| Address | | Register Name | RW | 7 | 6 | 5 | 4 | 3 | 2 | 1 | 0 | Reset Value | (Hex) |
|---------|-----|---------------------------|----|---------------------|---------------------|---------------------|------------------------------|------------------------|--------------------------|-----------------------|-----------------------|-------------|-------|
| Dec | Hex | | | | | | | | | | | | |
| 64 | 40 | Interrupt Configuration 1 | RW | INTRQ_DUR_SEL[1] | INTRQ_DUR_SEL[0] | MV_INTRQ_SEL[1] | MV_INTRQ_SEL[0] | | MPU_STIM_INTRQ | INTRQ_OP_SEL[1] | INTRQ_OP_SEL[0] | 0001x000 | 10 |
| 66 | 42 | Interrupt Status 1 | R | | MV_PS_CS_Q | SD_FR_CHNG_Q | | | | SD_UNLOCK_Q | SD_LOCK_Q | | |
| 67 | 43 | Interrupt Clear 1 | W | | MV_PS_CS_CLR | SD_FR_CHNG_CLR | | | | SD_UNLOCK_CLR | SD_LOCK_CLR | x0000000 | 00 |
| 68 | 44 | Interrupt Mask 1 | RW | | MV_PS_CS_MSKB | SD_FR_CHNG_MSKB | | | | SD_UNLOCK_MSKB | SD_LOCK_MSKB | x0000000 | 00 |
| 69 | 45 | Raw Status 1 | R | MPU_STIM_INTRQ | | | EVEN_FIELD | | | | CCAPD | | |
| 70 | 46 | Interrupt Status 2 | R | MPU_STIM_INTRQ_Q | | | SD_FIELD_CHNGD_Q | | | GEMD_Q | CCAPD_Q | | |
| 71 | 47 | Interrupt Clear 2 | W | MPU_STIM_INTRQ_CLR | | | SD_FIELD_CHNGD_CLR | | | GEMD_CLR | CCAPD_CLR | 0xx00000 | 00 |
| 72 | 48 | Interrupt Mask 2 | RW | MPU_STIM_INTRQ_MSKB | | | SD_FIELD_CHNGD_MSKB | | | GEMD_MSKB | CCAPD_MSKB | 0xx00000 | 00 |
| 73 | 49 | Raw Status 2 | R | | | | SCM_LOCK | | SD_H_LOCK | SD_V_LOCK | SD_OP_50Hz | | |
| 74 | 4A | Interrupt Status 3 | R | | | PAL_SW_LK_CHNG_Q | SCM_LOCK_CHNG_Q | SD_AD_CHNG_Q | SD_H_LOCK_CHNG_Q | SD_V_LOCK_CHNG_Q | SD_OP_CHNG_Q | | |
| 75 | 4B | Interrupt Clear 3 | W | | | PAL_SW_LK_CHNG_CLR | SCM_LOCK_CHNG_CLR | SD_AD_CHNG_CLR | SD_H_LOCK_CHNG_CLR | SD_V_LOCK_CHNG_CLR | SD_OP_CHNG_CLR | xx000000 | 00 |
| 76 | 4C | Interrupt Mask 3 | RW | | | PAL_SW_LK_CHNG_MSKB | SCM_LOCK_CHNG_MSKB | SD_AD_CHNG_MSKB | SD_H_LOCK_CHNG_MSKB | SD_V_LOCK_CHNG_MSKB | SD_OP_CHNG_MSKB | xx000000 | 00 |
| 78 | 4E | Interrupt Status 4 | R | | VDP_VITC_Q | | VDP_GS_VPS_PDC_UTC_CHNG_Q | | VDP_CGMS_WSS_CHNGD_Q | | VDP_CCAPD_Q | | |
| 79 | 4F | Interrupt Clear 4 | W | | VDP_VITC_CLR | | VDP_GS_VPS_PDC_UTC_CHNG_CLR | | VDP_CGMS_WSS_CHNGD_CLR | | VDP_CCAPD_CLR | 00x0x0x0 | 00 |
| 80 | 50 | Interrupt Mask 4 | RW | | VDP_VITC_MSKB | | VDP_GS_VPS_PDC_UTC_CHNG_MSKB | | VDP_CGMS_WSS_CHNGD_MSKB | | VDP_CCAPD_MSKB | 00x0x0x0 | 00 |
| 96 | 60 | VDP_Config_1 | RW | | | | | WST_PKT_DECODE_DISABLE | VDP_TTXT_TYPE_MAN_ENABLE | VDP_TTXT_TYPE_MAN[1] | VDP_TTXT_TYPE_MAN[0] | 10001000 | 88 |
| 97 | 61 | VDP_Config_2 | RW | | | | AUTO_DETECT_GS_TYPE | | | | | 0001x000 | 10 |
| 98 | 62 | VDP_ADF_Config_1 | RW | ADF_ENABLE | ADF_MODE[1] | ADF_MODE[0] | ADF_DID[4] | ADF_DID[3] | ADF_DID[2] | ADF_DID[1] | ADF_DID[0] | 00010101 | 15 |
| 99 | 63 | VDP_ADF_Config_2 | RW | DUPLICATE_ADF | | ADF_SDID[5] | ADF_SDID[4] | ADF_SDID[3] | ADF_SDID[2] | ADF_SDID[1] | ADF_SDID[0] | 0x101010 | 2A |
| 100 | 64 | VDP_LINE_00E | RW | MAN_LINE_PGM | | | | VBI_DATA_P318[3] | VBI_DATA_P318[2] | VBI_DATA_P318[1] | VBI_DATA_P318[0] | 0xxx0000 | 00 |
| 101 | 65 | VDP_LINE_00F | RW | VBI_DATA_P6_N23[3] | VBI_DATA_P6_N23[2] | VBI_DATA_P6_N23[1] | VBI_DATA_P6_N23[0] | VBI_DATA_P319_N286[3] | VBI_DATA_P319_N286[2] | VBI_DATA_P319_N286[1] | VBI_DATA_P319_N286[0] | 00000000 | 00 |
| 102 | 66 | VDP_LINE_010 | RW | VBI_DATA_P7_N24[3] | VBI_DATA_P7_N24[2] | VBI_DATA_P7_N24[1] | VBI_DATA_P7_N24[0] | VBI_DATA_P320_N287[3] | VBI_DATA_P320_N287[2] | VBI_DATA_P320_N287[1] | VBI_DATA_P320_N287[0] | 00000000 | 00 |
| 103 | 67 | VDP_LINE_011 | RW | VBI_DATA_P8_N25[3] | VBI_DATA_P8_N25[2] | VBI_DATA_P8_N25[1] | VBI_DATA_P8_N25[0] | VBI_DATA_P321_N288[3] | VBI_DATA_P321_N288[2] | VBI_DATA_P321_N288[1] | VBI_DATA_P321_N288[0] | 00000000 | 00 |
| 104 | 68 | VDP_LINE_012 | RW | VBI_DATA_P9[3] | VBI_DATA_P9[2] | VBI_DATA_P9[1] | VBI_DATA_P9[0] | VBI_DATA_P322[3] | VBI_DATA_P322[2] | VBI_DATA_P322[1] | VBI_DATA_P322[0] | 00000000 | 00 |
| 105 | 69 | VDP_LINE_013 | RW | VBI_DATA_P10[3] | VBI_DATA_P10[2] | VBI_DATA_P10[1] | VBI_DATA_P10[0] | VBI_DATA_P323[3] | VBI_DATA_P323[2] | VBI_DATA_P323[1] | VBI_DATA_P323[0] | 00000000 | 00 |
| 106 | 6A | VDP_LINE_014 | RW | VBI_DATA_P11[3] | VBI_DATA_P11[2] | VBI_DATA_P11[1] | VBI_DATA_P11[0] | VBI_DATA_P324_N272[3] | VBI_DATA_P324_N272[2] | VBI_DATA_P324_N272[1] | VBI_DATA_P324_N272[0] | 00000000 | 00 |
| 107 | 6B | VDP_LINE_015 | RW | VBI_DATA_P12_N10[3] | VBI_DATA_P12_N10[2] | VBI_DATA_P12_N10[1] | VBI_DATA_P12_N10[0] | VBI_DATA_P325_N273[3] | VBI_DATA_P325_N273[2] | VBI_DATA_P325_N273[1] | VBI_DATA_P325_N273[0] | 00000000 | 00 |
| 108 | 6C | VDP_LINE_016 | RW | VBI_DATA_P13_N11[3] | VBI_DATA_P13_N11[2] | VBI_DATA_P13_N11[1] | VBI_DATA_P13_N11[0] | VBI_DATA_P326_N274[3] | VBI_DATA_P326_N274[2] | VBI_DATA_P326_N274[1] | VBI_DATA_P326_N274[0] | 00000000 | 00 |
| 109 | 6D | VDP_LINE_017 | RW | VBI_DATA_P14_N12[3] | VBI_DATA_P14_N12[2] | VBI_DATA_P14_N12[1] | VBI_DATA_P14_N12[0] | VBI_DATA_P327_N275[3] | VBI_DATA_P327_N275[2] | VBI_DATA_P327_N275[1] | VBI_DATA_P327_N275[0] | 00000000 | 00 |
| 110 | 6E | VDP_LINE_018 | RW | VBI_DATA_P15_N13[3] | VBI_DATA_P15_N13[2] | VBI_DATA_P15_N13[1] | VBI_DATA_P15_N13[0] | VBI_DATA_P328_N276[3] | VBI_DATA_P328_N276[2] | VBI_DATA_P328_N276[1] | VBI_DATA_P328_N276[0] | 00000000 | 00 |
| 111 | 6F | VDP_LINE_019 | RW | VBI_DATA_P16_N14[3] | VBI_DATA_P16_N14[2] | VBI_DATA_P16_N14[1] | VBI_DATA_P16_N14[0] | VBI_DATA_P329_N277[3] | VBI_DATA_P329_N277[2] | VBI_DATA_P329_N277[1] | VBI_DATA_P329_N277[0] | 00000000 | 00 |
| 112 | 70 | VDP_LINE_01A | RW | VBI_DATA_P17_N15[3] | VBI_DATA_P17_N15[2] | VBI_DATA_P17_N15[1] | VBI_DATA_P17_N15[0] | VBI_DATA_P330_N278[3] | VBI_DATA_P330_N278[2] | VBI_DATA_P330_N278[1] | VBI_DATA_P330_N278[0] | 00000000 | 00 |
| 113 | 71 | VDP_LINE_01B | RW | VBI_DATA_P18_N16[3] | VBI_DATA_P18_N16[2] | VBI_DATA_P18_N16[1] | VBI_DATA_P18_N16[0] | VBI_DATA_P331_N279[3] | VBI_DATA_P331_N279[2] | VBI_DATA_P331_N279[1] | VBI_DATA_P331_N279[0] | 00000000 | 00 |
| 114 | 72 | VDP_LINE_01C | RW | VBI_DATA_P19_N17[3] | VBI_DATA_P19_N17[2] | VBI_DATA_P19_N17[1] | VBI_DATA_P19_N17[0] | VBI_DATA_P332_N280[3] | VBI_DATA_P332_N280[2] | VBI_DATA_P332_N280[1] | VBI_DATA_P332_N280[0] | 00000000 | 00 |
| 115 | 73 | VDP_LINE_01D | RW | VBI_DATA_P20_N18[3] | VBI_DATA_P20_N18[2] | VBI_DATA_P20_N18[1] | VBI_DATA_P20_N18[0] | VBI_DATA_P333_N281[3] | VBI_DATA_P333_N281[2] | VBI_DATA_P333_N281[1] | VBI_DATA_P333_N281[0] | 00000000 | 00 |
| 116 | 74 | VDP_LINE_01E | RW | VBI_DATA_P21_N19[3] | VBI_DATA_P21_N19[2] | VBI_DATA_P21_N19[1] | VBI_DATA_P21_N19[0] | VBI_DATA_P334_N282[3] | VBI_DATA_P334_N282[2] | VBI_DATA_P334_N282[1] | VBI_DATA_P334_N282[0] | 00000000 | 00 |
| 117 | 75 | VDP_LINE_01F | RW | VBI_DATA_P22_N20[3] | VBI_DATA_P22_N20[2] | VBI_DATA_P22_N20[1] | VBI_DATA_P22_N20[0] | VBI_DATA_P335_N283[3] | VBI_DATA_P335_N283[2] | VBI_DATA_P335_N283[1] | VBI_DATA_P335_N283[0] | 00000000 | 00 |

| Address | | Register Name | RW | | | | | | | | | Reset Value | (Hex) |
|---------|-----|----------------------|----|--------------------------|--------------------------|--------------------------|--------------------------|--------------------------|--------------------------|--------------------------|--------------------------|-------------|-------|
| Dec | Hex | | | 7 | 6 | 5 | 4 | 3 | 2 | 1 | 0 | | |
| 118 | 76 | VDP_LINE_020 | RW | VBI_DATA_P23_N21[3] | VBI_DATA_P23_N21[2] | VBI_DATA_P23_N21[1] | VBI_DATA_P23_N21[0] | VBI_DATA_P336_N284[3] | VBI_DATA_P336_N284[2] | VBI_DATA_P336_N284[1] | VBI_DATA_P336_N284[0] | 00000000 | 00 |
| 119 | 77 | VDP_LINE_021 | RW | VBI_DATA_P24_N22[3] | VBI_DATA_P24_N22[2] | VBI_DATA_P24_N22[1] | VBI_DATA_P24_N22[0] | VBI_DATA_P337_N285[3] | VBI_DATA_P337_N285[2] | VBI_DATA_P337_N285[1] | VBI_DATA_P337_N285[0] | 00000000 | 00 |
| 120 | 78 | VDP_STATUS | R | TTXT_AVL | VITC_AVL | GS_DATA_TYPE | GS_PDC_VPS_UTC_AVL | | CGMS_WSS_AVL | CC_EVEN_FIELD | CC_AVL | | |
| 120 | 78 | VDP_STATUS_CLEAR | W | | VITC_CLEAR | | GS_PDC_VPS_UTC_CLEAR | | CGMS_WSS_CLEAR | | CC_CLEAR | 00000000 | 00 |
| 121 | 79 | VDP_CCAP_DATA_0 | R | CCAP_BYTE_1[7] | CCAP_BYTE_1[6] | CCAP_BYTE_1[5] | CCAP_BYTE_1[4] | CCAP_BYTE_1[3] | CCAP_BYTE_1[2] | CCAP_BYTE_1[1] | CCAP_BYTE_1[0] | | |
| 122 | 7A | VDP_CCAP_DATA_1 | R | CCAP_BYTE_2[7] | CCAP_BYTE_2[6] | CCAP_BYTE_2[5] | CCAP_BYTE_2[4] | CCAP_BYTE_2[3] | CCAP_BYTE_2[2] | CCAP_BYTE_2[1] | CCAP_BYTE_2[0] | | |
| 125 | 7D | VDP_CGMS_WSS_DATA_0 | R | | | | | CGMS_CRC[5] | CGMS_CRC[4] | CGMS_CRC[3] | CGMS_CRC[2] | | |
| 126 | 7E | VDP_CGMS_WSS_DATA_1 | R | CGMS_CRC[1] | CGMS_CRC[0] | CGMS_WSS[13] | CGMS_WSS[12] | CGMS_WSS[11] | CGMS_WSS[10] | CGMS_WSS[9] | CGMS_WSS[8] | | |
| 127 | 7F | VDP_CGMS_WSS_DATA_2 | R | CGMS_WSS[7] | CGMS_WSS[6] | CGMS_WSS[5] | CGMS_WSS[4] | CGMS_WSS[3] | CGMS_WSS[2] | CGMS_WSS[1] | CGMS_WSS[0] | | |
| 132 | 84 | VDP_GS_VPS_PDC_UTC_0 | R | GS_VPS_PDC_UTC_BYTE_0[7] | GS_VPS_PDC_UTC_BYTE_0[6] | GS_VPS_PDC_UTC_BYTE_0[5] | GS_VPS_PDC_UTC_BYTE_0[4] | GS_VPS_PDC_UTC_BYTE_0[3] | GS_VPS_PDC_UTC_BYTE_0[2] | GS_VPS_PDC_UTC_BYTE_0[1] | GS_VPS_PDC_UTC_BYTE_0[0] | | |
| 133 | 85 | VDP_GS_VPS_PDC_UTC_1 | R | GS_VPS_PDC_UTC_BYTE_1[7] | GS_VPS_PDC_UTC_BYTE_1[6] | GS_VPS_PDC_UTC_BYTE_1[5] | GS_VPS_PDC_UTC_BYTE_1[4] | GS_VPS_PDC_UTC_BYTE_1[3] | GS_VPS_PDC_UTC_BYTE_1[2] | GS_VPS_PDC_UTC_BYTE_1[1] | GS_VPS_PDC_UTC_BYTE_1[0] | | |
| 134 | 86 | VDP_GS_VPS_PDC_UTC_2 | R | GS_VPS_PDC_UTC_BYTE_2[7] | GS_VPS_PDC_UTC_BYTE_2[6] | GS_VPS_PDC_UTC_BYTE_2[5] | GS_VPS_PDC_UTC_BYTE_2[4] | GS_VPS_PDC_UTC_BYTE_2[3] | GS_VPS_PDC_UTC_BYTE_2[2] | GS_VPS_PDC_UTC_BYTE_2[1] | GS_VPS_PDC_UTC_BYTE_2[0] | | |
| 135 | 87 | VDP_GS_VPS_PDC_UTC_3 | R | GS_VPS_PDC_UTC_BYTE_3[7] | GS_VPS_PDC_UTC_BYTE_3[6] | GS_VPS_PDC_UTC_BYTE_3[5] | GS_VPS_PDC_UTC_BYTE_3[4] | GS_VPS_PDC_UTC_BYTE_3[3] | GS_VPS_PDC_UTC_BYTE_3[2] | GS_VPS_PDC_UTC_BYTE_3[1] | GS_VPS_PDC_UTC_BYTE_3[0] | | |
| 136 | 88 | VDP_VPS_PDC_UTC_4 | R | VPS_PDC_UTC_BYTE_4[7] | VPS_PDC_UTC_BYTE_4[6] | VPS_PDC_UTC_BYTE_4[5] | VPS_PDC_UTC_BYTE_4[4] | VPS_PDC_UTC_BYTE_4[3] | VPS_PDC_UTC_BYTE_4[2] | VPS_PDC_UTC_BYTE_4[1] | VPS_PDC_UTC_BYTE_4[0] | | |
| 137 | 89 | VDP_VPS_PDC_UTC_5 | R | VPS_PDC_UTC_BYTE_5[7] | VPS_PDC_UTC_BYTE_5[6] | VPS_PDC_UTC_BYTE_5[5] | VPS_PDC_UTC_BYTE_5[4] | VPS_PDC_UTC_BYTE_5[3] | VPS_PDC_UTC_BYTE_5[2] | VPS_PDC_UTC_BYTE_5[1] | VPS_PDC_UTC_BYTE_5[0] | | |
| 138 | 8A | VDP_VPS_PDC_UTC_6 | R | VPS_PDC_UTC_BYTE_6[7] | VPS_PDC_UTC_BYTE_6[6] | VPS_PDC_UTC_BYTE_6[5] | VPS_PDC_UTC_BYTE_6[4] | VPS_PDC_UTC_BYTE_6[3] | VPS_PDC_UTC_BYTE_6[2] | VPS_PDC_UTC_BYTE_6[1] | VPS_PDC_UTC_BYTE_6[0] | | |
| 139 | 8B | VDP_VPS_PDC_UTC_7 | R | VPS_PDC_UTC_BYTE_7[7] | VPS_PDC_UTC_BYTE_7[6] | VPS_PDC_UTC_BYTE_7[5] | VPS_PDC_UTC_BYTE_7[4] | VPS_PDC_UTC_BYTE_7[3] | VPS_PDC_UTC_BYTE_7[2] | VPS_PDC_UTC_BYTE_7[1] | VPS_PDC_UTC_BYTE_7[0] | | |
| 140 | 8C | VDP_VPS_PDC_UTC_8 | R | VPS_PDC_UTC_BYTE_8[7] | VPS_PDC_UTC_BYTE_8[6] | VPS_PDC_UTC_BYTE_8[5] | VPS_PDC_UTC_BYTE_8[4] | VPS_PDC_UTC_BYTE_8[3] | VPS_PDC_UTC_BYTE_8[2] | VPS_PDC_UTC_BYTE_8[1] | VPS_PDC_UTC_BYTE_8[0] | | |
| 141 | 8D | VDP_VPS_PDC_UTC_9 | R | VPS_PDC_UTC_BYTE_9[7] | VPS_PDC_UTC_BYTE_9[6] | VPS_PDC_UTC_BYTE_9[5] | VPS_PDC_UTC_BYTE_9[4] | VPS_PDC_UTC_BYTE_9[3] | VPS_PDC_UTC_BYTE_9[2] | VPS_PDC_UTC_BYTE_9[1] | VPS_PDC_UTC_BYTE_9[0] | | |
| 142 | 8E | VDP_VPS_PDC_UTC_10 | R | VPS_PDC_UTC_BYTE_10[7] | VPS_PDC_UTC_BYTE_10[6] | VPS_PDC_UTC_BYTE_10[5] | VPS_PDC_UTC_BYTE_10[4] | VPS_PDC_UTC_BYTE_10[3] | VPS_PDC_UTC_BYTE_10[2] | VPS_PDC_UTC_BYTE_10[1] | VPS_PDC_UTC_BYTE_10[0] | | |
| 143 | 8F | VDP_VPS_PDC_UTC_11 | R | VPS_PDC_UTC_BYTE_11[7] | VPS_PDC_UTC_BYTE_11[6] | VPS_PDC_UTC_BYTE_11[5] | VPS_PDC_UTC_BYTE_11[4] | VPS_PDC_UTC_BYTE_11[3] | VPS_PDC_UTC_BYTE_11[2] | VPS_PDC_UTC_BYTE_11[1] | VPS_PDC_UTC_BYTE_11[0] | | |
| 144 | 90 | VDP_VPS_PDC_UTC_12 | R | VPS_PDC_UTC_BYTE_12[7] | VPS_PDC_UTC_BYTE_12[6] | VPS_PDC_UTC_BYTE_12[5] | VPS_PDC_UTC_BYTE_12[4] | VPS_PDC_UTC_BYTE_12[3] | VPS_PDC_UTC_BYTE_12[2] | VPS_PDC_UTC_BYTE_12[1] | VPS_PDC_UTC_BYTE_12[0] | | |
| 146 | 92 | VDP_VITC_DATA_0 | R | VITC_DATA_0[7] | VITC_DATA_0[6] | VITC_DATA_0[5] | VITC_DATA_0[4] | VITC_DATA_0[3] | VITC_DATA_0[2] | VITC_DATA_0[1] | VITC_DATA_0[0] | | |
| 147 | 93 | VDP_VITC_DATA_1 | R | VITC_DATA_1[7] | VITC_DATA_1[6] | VITC_DATA_1[5] | VITC_DATA_1[4] | VITC_DATA_1[3] | VITC_DATA_1[2] | VITC_DATA_1[1] | VITC_DATA_1[0] | | |
| 148 | 94 | VDP_VITC_DATA_2 | R | VITC_DATA_2[7] | VITC_DATA_2[6] | VITC_DATA_2[5] | VITC_DATA_2[4] | VITC_DATA_2[3] | VITC_DATA_2[2] | VITC_DATA_2[1] | VITC_DATA_2[0] | | |
| 149 | 95 | VDP_VITC_DATA_3 | R | VITC_DATA_3[7] | VITC_DATA_3[6] | VITC_DATA_3[5] | VITC_DATA_3[4] | VITC_DATA_3[3] | VITC_DATA_3[2] | VITC_DATA_3[1] | VITC_DATA_3[0] | | |
| 150 | 96 | VDP_VITC_DATA_4 | R | VITC_DATA_4[7] | VITC_DATA_4[6] | VITC_DATA_4[5] | VITC_DATA_4[4] | VITC_DATA_4[3] | VITC_DATA_4[2] | VITC_DATA_4[1] | VITC_DATA_4[0] | | |
| 151 | 97 | VDP_VITC_DATA_5 | R | VITC_DATA_5[7] | VITC_DATA_5[6] | VITC_DATA_5[5] | VITC_DATA_5[4] | VITC_DATA_5[3] | VITC_DATA_5[2] | VITC_DATA_5[1] | VITC_DATA_5[0] | | |
| 152 | 98 | VDP_VITC_DATA_6 | R | VITC_DATA_6[7] | VITC_DATA_6[6] | VITC_DATA_6[5] | VITC_DATA_6[4] | VITC_DATA_6[3] | VITC_DATA_6[2] | VITC_DATA_6[1] | VITC_DATA_6[0] | | |
| 153 | 99 | VDP_VITC_DATA_7 | R | VITC_DATA_7[7] | VITC_DATA_7[6] | VITC_DATA_7[5] | VITC_DATA_7[4] | VITC_DATA_7[3] | VITC_DATA_7[2] | VITC_DATA_7[1] | VITC_DATA_7[0] | | |
| 154 | 9A | VDP_VITC_DATA_8 | R | VITC_DATA_8[7] | VITC_DATA_8[6] | VITC_DATA_8[5] | VITC_DATA_8[4] | VITC_DATA_8[3] | VITC_DATA_8[2] | VITC_DATA_8[1] | VITC_DATA_8[0] | | |
| 155 | 9B | VDP_VITC_CALC_CRC | R | VITC_CRC[7] | VITC_CRC[6] | VITC_CRC[5] | VITC_CRC[4] | VITC_CRC[3] | VITC_CRC[2] | VITC_CRC[1] | VITC_CRC[0] | | |
| 156 | 9C | VDP_OUTPUT_SEL | RW | PC_GS_VPS_PDC_UTC[1] | PC_GS_VPS_PDC_UTC[0] | GS_VPS_PDC_UTC_CB_CHANGE | WSS_CGMS_CB_CHANGE | | | | | 00110000 | 30 |

¹ To access the registers listed in Table 106, SUB_USR_EN in Register Address 0x0E must be programmed to 1.

² x in a reset value indicates do not care.

Table 107. Register Map Descriptions (Normal Operation)^{1, 2}

| Subaddress | Register | Bit Description | Bits (Shading Indicates Default State) | | | | | | | | Comments | Notes | |
|------------|---------------|--|---|---|--|---|---|---|-----------------------|---|-----------------------------------|---|--|
| | | | 7 | 6 | 5 | 4 | 3 | 2 | 1 | 0 | | | |
| 0x00 | Input control | INSEL[3:0]; the INSEL bits allow the user to select an input channel and the input format; refer to Table 13 and Table 14 for full routing details | | | | | 0 | 0 | 0 | 0 | Composite (LQFP and LFCSP) | Mandatory write required for Y/C (S-Video mode) Reg 0x58 = 0x04; see Reg 0x58 for bit description | |
| | | | | | | | 0 | 0 | 0 | 1 | Composite (LQFP)/reserved (LFCSP) | | |
| | | | | | | | 0 | 0 | 1 | 0 | Composite (LQFP)/reserved (LFCSP) | | |
| | | | | | | | 0 | 0 | 1 | 1 | Composite (LQFP and LFCSP) | | |
| | | | | | | | 0 | 1 | 0 | 0 | Composite (LQFP and LFCSP) | | |
| | | | | | | | 0 | 1 | 0 | 1 | Composite (LQFP)/reserved (LFCSP) | | |
| | | | | | | | 0 | 1 | 1 | 0 | S-Video (LQFP and LFCSP) | | |
| | | | | | | | 0 | 1 | 1 | 1 | S-Video (LQFP)/reserved (LFCSP) | | |
| | | | | | | | 1 | 0 | 0 | 0 | S-Video (LQFP)/reserved (LFCSP) | | |
| | | | | | | | 1 | 0 | 0 | 1 | YPrPb (LQFP and LFCSP) | | |
| | | | | | | | 1 | 0 | 1 | 0 | YPrPb (LQFP)/reserved (LFCSP) | | |
| | | | | | | | 1 | 0 | 1 | 1 | Reserved (LQFP and LFCSP) | | |
| | | | | | | | 1 | 1 | 0 | 0 | Reserved (LQFP and LFCSP) | | |
| | | | | | | | 1 | 1 | 0 | 1 | Reserved (LQFP and LFCSP) | | |
| | | | | | | | 1 | 1 | 1 | 0 | Reserved (LQFP and LFCSP) | | |
| | | | | | | | 1 | 1 | 1 | 1 | Reserved (LQFP and LFCSP) | | |
| | | | | | VID_SEL[3:0]; the VID_SEL bits allow the user to select the input video standard | 0 | 0 | 0 | 0 | | | | |
| | | | | 0 | | 0 | 0 | 1 | | | | | Autodetect PAL B/G/H/I/D, NTSC M (pedestal), SECAM |
| | | | | 0 | | 0 | 1 | 0 | | | | | Autodetect (PAL N) (pedestal), NTSC J (no pedestal), SECAM |
| | | | | 0 | | 0 | 1 | 1 | | | | | Autodetect (PAL N) (pedestal), NTSC M (pedestal), SECAM |
| | | | | 0 | | 1 | 0 | 0 | | | | | NTSC J |
| | | | | 0 | | 1 | 0 | 1 | | | | | NTSC M |
| | | | | 0 | | 1 | 1 | 0 | | | | | PAL 60 |
| | | | | 0 | | 1 | 1 | 1 | | | | | NTSC 4.43 |
| | | | | 1 | | 0 | 0 | 0 | | | | | PAL B/G/H/I/D |
| | | | | 1 | | 0 | 0 | 1 | | | | | PAL N = PAL B/G/H/I/D (with pedestal) |
| | | | | 1 | | 0 | 1 | 0 | | | | | PAL M (without pedestal) |
| | | | | 1 | | 0 | 1 | 1 | | | | | PAL M |
| | | | | 1 | | 1 | 0 | 0 | | | | | PAL Combination N |
| | | | | 1 | 1 | 0 | 1 | | | | PAL Combination N (with pedestal) | | |
| | | 1 | 1 | 1 | 0 | | | | SECAM | | | | |
| | | 1 | 1 | 1 | 1 | | | | SECAM (with pedestal) | | | | |

| Subaddress | Register | Bit Description | Bits (Shading Indicates Default State) | | | | | | | | Comments | Notes | |
|--|-------------------------|--|---|---|---|---|---|---|---|-----------------------------------|--|--|---|
| | | | 7 | 6 | 5 | 4 | 3 | 2 | 1 | 0 | | | |
| 0x01 | Video selection | Reserved | | | | | | | | 0 | 0 | Set to default | |
| | | SQPE | | | | | | | | 0 | | Disable square pixel mode | |
| | | | | | | | | | | 1 | | Enable square pixel mode | |
| | | ENVSPROC | | | | | | 0 | | | | Disable VSYNC processor | |
| | | | | | | | | 1 | | | | Enable VSYNC processor | |
| | | Reserved | | | | 0 | | | | | | Set to default | |
| | | BETACAM | | | 0 | | | | | | | Standard video input | |
| | | | | | 1 | | | | | | | Betacam input enable | |
| ENHSPLL | | 0 | | | | | | | | Disable HSYNC processor | | | |
| | | 1 | | | | | | | | Enable HSYNC processor | | | |
| Reserved | | 1 | | | | | | | | Set to default | | | |
| 0x03 | Output control | SD_DUP_AV; duplicates the AV codes from the luma into the chroma path | | | | | | | | | 0 | AV codes to suit 8-bit interleaved data output | |
| | | | | | | | | | | | | 1 | AV codes duplicated (for 16-bit interfaces) |
| | | Reserved | | | | | | | | | 0 | Set as default | |
| | | OF_SEL[3:0]; allows the user to choose from a set of output formats | | | 0 | 0 | 0 | 0 | | | | Reserved | |
| | | | | | 0 | 0 | 0 | 1 | | | | Reserved | |
| | | | | | 0 | 0 | 1 | 0 | | | | 16-bit at LLC 4:2:2 | Options apply to 64-lead LQFP only |
| | | | | | 0 | 0 | 1 | 1 | | | | 8-bit at LLC 4:2:2 ITU-R BT.656 | |
| | | | | | 0 | 1 | 0 | 0 | | | | Reserved | |
| | | | | | 0 | 1 | 0 | 1 | | | | Reserved | |
| | | | | | 0 | 1 | 1 | 0 | | | | Reserved | |
| | | | | | 0 | 1 | 1 | 1 | | | | Reserved | |
| | | | | | 1 | 0 | 0 | 0 | | | | Reserved | |
| | | | | | 1 | 0 | 0 | 1 | | | | Reserved | |
| | | | | | 1 | 0 | 1 | 1 | | | | Reserved | |
| | | | | | 1 | 1 | 0 | 0 | | | | Reserved | |
| | | | | | 1 | 1 | 0 | 1 | | | | Reserved | |
| | | | | | 1 | 1 | 1 | 0 | | | | Reserved | |
| | | | | 1 | 1 | 1 | 1 | | | | Reserved | | |
| | | TOD; three-state output drivers; this bit allows the user to three-state the output drivers; pixel outputs, HS, VS, FIELD, and SFL | | 0 | | | | | | | | Output pins enabled | See also TIM_OE and TRI_LLC |
| | | | | 1 | | | | | | | | Drivers three-stated | |
| VBI_EN; allows VBI data (Line 1 to Line 21) to be passed through with only a minimum amount of filtering performed | | 0 | | | | | | | | All lines filtered and scaled | | | |
| | | 1 | | | | | | | | Only active video region filtered | | | |
| 0x04 | Extended output control | Range; allows the user to select the range of output values; can be ITU-R BT.656 compliant or can fill the whole accessible number range | | | | | | | | 0 | $16 \leq Y \leq 235, 16 \leq C/P \leq 240$ | ITU-R BT.656 | |
| | | | | | | | | | | 1 | $1 \leq Y \leq 254, 1 \leq C/P \leq 254$ | Extended range | |
| | | EN_SFL_PIN | | | | | | | | | 0 | SFL output is disabled | SFL output enables encoder and decoder to be connected directly |
| | | | | | | | | | | | 1 | SFL information output on the SFL pin | |
| | | BL_C_VBI; blank chroma during VBI; if set, it enables data in the VBI region to be passed through the decoder undistorted | | | | | | | | | 0 | Decode and output color | During VBI |
| | | | | | | | | | | | 1 | Blank Cr and Cb | |
| TIM_OE; timing signals output enable | | | | | | | | | 0 | HS, VS, FIELD three-stated | Controlled by TOD | | |
| | | | | | | | | | 1 | HS, VS, FIELD forced active | | | |

| Subaddress | Register | Bit Description | Bits (Shading Indicates Default State) | | | | | | | Comments | Notes | | |
|------------|-------------------|---|---|---|---|---|---|---|---|----------|---------|--|---|
| | | | 7 | 6 | 5 | 4 | 3 | 2 | 1 | | | 0 | |
| | | Reserved | | | x | x | | | | | | | |
| | | Reserved | | 1 | | | | | | | | | |
| | | BT.656-4; allows the user to select an output mode compatible with ITU-R BT.656-3/-4 | 0 | | | | | | | | | ITU-R BT.656-3 compatible | |
| | | | 1 | | | | | | | | | ITU-R BT.656-4 compatible | |
| 0x07 | Autodetect enable | AD_PAL_EN; PAL B/D/I/G/H autodetect enable | | | | | | | | | 0 | Disable | |
| | | | | | | | | | | | 1 | Enable | |
| | | AD_NTSC_EN; NTSC autodetect enable | | | | | | | | | 0 | Disable | |
| | | | | | | | | | | | 1 | Enable | |
| | | AD_PALM_EN; PAL M autodetect enable | | | | | | | 0 | | | Disable | |
| | | | | | | | | | 1 | | | Enable | |
| | | AD_PALN_EN; PAL N autodetect enable | | | | | | 0 | | | | Disable | |
| | | | | | | | | 1 | | | | Enable | |
| | | AD_P60_EN; PAL 60 autodetect enable | | | | 0 | | | | | | Disable | |
| | | | | | | 1 | | | | | | Enable | |
| | | AD_N443_EN; NTSC 4.43 autodetect enable | | | 0 | | | | | | | Disable | |
| | | | | | 1 | | | | | | | Enable | |
| | | AD_SECAM_EN; SECAM autodetect enable | | 0 | | | | | | | Disable | | |
| | | | | 1 | | | | | | | Enable | | |
| | | AD_SECS25_EN; SECAM 525 autodetect enable | 0 | | | | | | | | Disable | | |
| | | | 1 | | | | | | | | Enable | | |
| 0x08 | Contrast | CON[7:0]; contrast adjust; this is the user control for contrast adjustment | 1 | 0 | 0 | 0 | 0 | 0 | 0 | 0 | 0 | Luma gain = 1 | 0x00 gain = 0, 0x80 gain = 1, 0xFF gain = 2 |
| 0x0A | Brightness | BRI[7:0]; this register controls the brightness of the video signal | 0 | 0 | 0 | 0 | 0 | 0 | 0 | 0 | 0 | 0x00 = 0 IRE, 0x7F = +30 IRE, 0x80 = -30 IRE | |
| 0x0B | Hue | HUE[7:0]; this register contains the value for the color hue adjustment | 0 | 0 | 0 | 0 | 0 | 0 | 0 | 0 | 0 | Hue range = -90° to +90° | |
| 0x0C | Default Value Y | DEF_VAL_EN; default value enable | | | | | | | | | 0 | Free-run mode dependent on DEF_VAL_AUTO_EN | When lock is lost, free-run mode can be enabled to output stable timing, clock, and a set color |
| | | | | | | | | | | | 1 | Force free-run mode on and output blue screen | |
| | | DEF_VAL_AUTO_EN; default value automatic enable | | | | | | | | 0 | | Disable free-run mode | |
| | | | | | | | | | | 1 | | Enable automatic free-run mode (blue screen) | |
| | | DEF_Y[5:0]; default value is Y; this register holds the Y default value | 0 | 0 | 1 | 1 | 0 | 1 | | | | Y[7:0] = {DEF_Y[5:0], 0, 0} | Default Y value output in free-run mode |
| | | | | | | | | | | | | | |
| 0x0D | Default Value C | DEF_C[7:0]; default value is C; the Cr and Cb default values are defined in this register | 0 | 1 | 1 | 1 | 1 | 1 | 1 | 0 | 0 | Cr[3:0] = {DEF_C[7:4], 0, 0, 0, 0} Cb[3:0] = {DEF_C[3:0], 0, 0, 0, 0} | Default Cb/Cr value output in free-run mode; default values give blue screen output |
| | | | | | | | | | | | | | |

| Subaddress | Register | Bit Description | Bits (Shading Indicates Default State) | | | | | | | | Comments | Notes |
|-------------|----------------------|---|---|---|---|---|---|-----------------------------|----------------------------------|---|---------------------------------------|--|
| | | | 7 | 6 | 5 | 4 | 3 | 2 | 1 | 0 | | |
| 0x0E | ADI Control 1 | Reserved | | | | 0 | 0 | 0 | 0 | 0 | Set as default | |
| | | SUB_USR_EN; enables user to access the interrupt/VDP register map | | | 0 | | | | | | Access main register space | See Figure 53 |
| | | | | | 1 | | | | | | Access interrupt/VDP register space | |
| | | Reserved | 0 | 0 | | | | | | | Set as default | |
| 0x0F | Power management | Reserved | | | | | | | 0 | 0 | Set to default | |
| | | PDBP; power-down bit priority selects between PWRDWN bit or pin control | | | | | | 0 | | | Chip power-down controlled by pin | Not applicable for 32-lead LFCSP |
| | | | | | | | 1 | | | Bit has priority (pin disregarded) | | |
| | | Reserved | | | | 0 | 0 | | | | Set to default | |
| | | PWRDWN; power-down places the decoder into a full power-down mode | | | 0 | | | | | | System functional | |
| | | | | | 1 | | | | | | Powered down | See PDBP, 0x0F Bit 2 |
| | | Reserved | | 0 | | | | | | | Set to default | |
| | | Reset; chip reset, loads all I ² C bits with default values | 0 | | | | | | | | Normal operation | |
| | 1 | | | | | | | | Start reset sequence | Executing reset takes approximately 2 ms; this bit is self-clearing | | |
| 0x10 | Status 1 (read only) | IN_LOCK | | | | | | | | x | 1 = in lock (now) | Provides info about the internal status of the decoder |
| | | LOST_LOCK | | | | | | | | x | 1 = lost lock (since last read) | |
| | | FSC_LOCK | | | | | | | x | | 1 = f _{sc} lock (now) | |
| | | FOLLOW_PW | | | | | x | | | | 1 = peak white AGC mode active | |
| | | AD_RESULT[2:0]; auto-detection result reports the standard of the input video | 0 | 0 | 0 | | | | | | NTSC M/J | Detected standard |
| | | | 0 | 0 | 1 | | | | | | NTSC 4.43 | |
| | | | 0 | 1 | 0 | | | | | | PAL M | |
| | | | 0 | 1 | 1 | | | | | | PAL 60 | |
| | | | 1 | 0 | 0 | | | | | | PAL B/G/H/I/D | |
| | | | 1 | 0 | 1 | | | | | | SECAM | |
| | | | 1 | 1 | 0 | | | | | | PAL Combination N | |
| 1 | 1 | 1 | | | | | | SECAM 525 | | | | |
| COL_KILL | x | | | | | | | | 1 = color kill is active | Color kill | | |
| 0x11 | IDENT (read only) | IDENT[7:0]; provides identification on the revision of the part | 0 | 0 | 0 | 1 | 1 | 1 | 0 | 0 | | Power-up value = 0x1C |
| 0x12 | Status 2 (read only) | MVCS DET | | | | | | | | x | MV color striping detected | 1 = detected |
| | | MVCS T3 | | | | | | | | x | MV color striping type | 0 = Type 2, 1 = Type 3 |
| | | MV PS DET | | | | | | | x | | MV pseudosync detected | 1 = detected |
| | | MV AGC DET | | | | | x | | | | MV AGC pulses detected | 1 = detected |
| | | LL NSTD | | | | | x | | | | Nonstandard line length | 1 = detected |
| | | FSC NSTD | | | x | | | | | | f _{sc} frequency nonstandard | 1 = detected |
| | | Reserved | x | x | | | | | | | | |
| 0x13 | Status 3 (read only) | INST_HLOCK | | | | | | | | x | 1 = horizontal lock achieved | Unfiltered |
| | | GEMD | | | | | | | | x | 1 = Gemstar data detected | |
| | | SD_OP_50Hz | | | | | | 0 | | SD 60 Hz detected | SD field rate detect | |
| | | | | | | | | 1 | | SD 50 Hz detected | | |
| | | Reserved | | | | | x | | | | | |
| | | FREE_RUN_ACT | | | | x | | | | 1 = free-run mode active | Blue screen output | |
| | | STD FLD LEN | | | x | | | | | 1 = field length standard | Correct field length found | |
| | | Interlaced | | x | | | | | | 1 = interlaced video detected | Field sequence found | |
| PAL_SW_LOCK | x | | | | | | | 1 = swinging burst detected | Reliable swinging burst sequence | | | |

| Subaddress | Register | Bit Description | Bits (Shading Indicates Default State) | | | | | | | Comments | Notes | |
|------------|--|--|---|---|---|---|---|---|---|------------------------|---|--|
| | | | 7 | 6 | 5 | 4 | 3 | 2 | 1 | | | 0 |
| 0x14 | Analog clamp control | Reserved | | | | | 0 | 0 | 1 | 0 | Set to default | |
| | | CCLEN; current clamp enable allows the user to switch off the current sources in the analog front | | | | 0 | | | | | Current sources switched off | |
| | | | | | | 1 | | | | | Current sources enabled | |
| | | Reserved | 0 | 0 | 0 | | | | | | Set to default | |
| 0x15 | Digital Clamp Control 1 | Reserved | | | | | x | x | x | x | Set to default | |
| | | DCFEN; digital clamp freeze enable | | | | 0 | | | | | Digital clamp on | |
| | | | | | | 1 | | | | | Digital clamp off | |
| | | DCT[1:0]; digital clamp timing determines the time constant of the digital fine clamp circuitry | 0 | 0 | | | | | | | Slow (TC = 1 sec) | |
| | | | 0 | 1 | | | | | | | Medium (TC = 0.5 sec) | |
| | | | 1 | 0 | | | | | | | Fast (TC = 0.1 sec) | |
| | | | 1 | 1 | | | | | | | TC dependent on video | |
| 0x17 | Shaping Filter Control 1 | Reserved | 0 | | | | | | | | Set to default | Decoder selects optimum Y shaping filter depending on CVBS quality If one of these modes is selected, the decoder does not change filter modes; depending on video quality, a fixed filter response (the one selected) is used for good and bad quality video |
| | | YSFM[4:0]; selects Y shaping filter mode in CVBS-only mode; allows the user to select a wide range of low-pass and notch filters; if either auto mode is selected, the decoder selects the optimum Y filter depending on the CVBS video source quality (good vs. poor) | | | | 0 | 0 | 0 | 0 | 0 | Autowide notch for poor quality sources or wideband filter with comb for good quality input | |
| | | | | | | 0 | 0 | 0 | 0 | 1 | Autonarrow notch for poor quality sources or wideband filter with comb for good quality input | |
| | | | | | | 0 | 0 | 0 | 1 | 0 | SVHS 1 | |
| | | | | | | 0 | 0 | 0 | 1 | 1 | SVHS 2 | |
| | | | | | | 0 | 0 | 1 | 0 | 0 | SVHS 3 | |
| | | | | | | 0 | 0 | 1 | 0 | 1 | SVHS 4 | |
| | | | | | | 0 | 0 | 1 | 1 | 0 | SVHS 5 | |
| | | | | | | 0 | 0 | 1 | 1 | 1 | SVHS 6 | |
| | | | | | | 0 | 1 | 0 | 0 | 0 | SVHS 7 | |
| | | | | | | 0 | 1 | 0 | 0 | 1 | SVHS 8 | |
| | | | | | | 0 | 1 | 0 | 1 | 0 | SVHS 9 | |
| | | | | | | 0 | 1 | 0 | 1 | 1 | SVHS 10 | |
| | | | | | | 0 | 1 | 1 | 0 | 0 | SVHS 11 | |
| | | | | | | 0 | 1 | 1 | 0 | 1 | SVHS 12 | |
| | | | | | | 0 | 1 | 1 | 1 | 0 | SVHS 13 | |
| | | | | | | 0 | 1 | 1 | 1 | 1 | SVHS 14 | |
| | | | | | | 1 | 0 | 0 | 0 | 0 | SVHS 15 | |
| | | | | | | 1 | 0 | 0 | 0 | 1 | SVHS 16 | |
| | | | | | | 1 | 0 | 0 | 1 | 0 | SVHS 17 | |
| | | | | | | 1 | 0 | 0 | 1 | 1 | SVHS 18 (CCIR 601) | |
| | | | | | | 1 | 0 | 1 | 0 | 0 | PAL NN1 | |
| | | | | | | 1 | 0 | 1 | 0 | 1 | PAL NN2 | |
| | | | | | | 1 | 0 | 1 | 1 | 0 | PAL NN3 | |
| | | | | | | 1 | 0 | 1 | 1 | 1 | PAL WN1 | |
| | | | | | | 1 | 1 | 0 | 0 | 0 | PAL WN2 | |
| | | | | | | 1 | 1 | 0 | 0 | 1 | NTSC NN1 | |
| | | | | | | 1 | 1 | 0 | 1 | 0 | NTSC NN2 | |
| | | | | | | 1 | 1 | 0 | 1 | 1 | NTSC NN3 | |
| | | | | | | 1 | 1 | 1 | 0 | 0 | NTSC WN1 | |
| | | | | | | 1 | 1 | 1 | 0 | 1 | NTSC WN2 | |
| | | | | | | 1 | 1 | 1 | 1 | 0 | NTSC WN3 | |
| | | | | | | 1 | 1 | 1 | 1 | 1 | Reserved | |
| | CSFM[2:0]; C shaping filter mode allows selection from a range of low-pass chrominance filters; if either auto mode is selected, the decoder selects the optimum C filter depending on the CVBS video source quality (good vs. bad); nonauto settings force a C filter for all standards and quality of CVBS video | 0 | 0 | 0 | | | | | | Autoselection 1.5 MHz | Automatically selects a C filter based on video standard and quality | |
| | | 0 | 0 | 1 | | | | | | Autoselection 2.17 MHz | | |
| | | 0 | 1 | 0 | | | | | | SH1 | | |
| | | 0 | 1 | 1 | | | | | | SH2 | | |
| | | 1 | 0 | 0 | | | | | | SH3 | | |
| | | 1 | 0 | 1 | | | | | | SH4 | | |
| | | 1 | 1 | 0 | | | | | | SH5 | | |
| | | 1 | 1 | 1 | | | | | | Wideband mode | | |

| Subaddress | Register | Bit Description | Bits (Shading Indicates Default State) | | | | | | | Comments | Notes | |
|------------|---|---|---|---|---|---|---|----------------------|---------------------------------------|----------|----------------------|---|
| | | | 7 | 6 | 5 | 4 | 3 | 2 | 1 | | | 0 |
| 0x18 | Shaping Filter Control 2 | WYSFM[4:0]; wideband Y shaping filter mode allows the user to select which Y shaping filter is used for the Y component of Y/C, YPrPb, B/W input signals; it is also used when a good quality input CVBS signal is detected; for all other inputs, the Y shaping filter chosen is controlled by YSFM[4:0] | | | | 0 | 0 | 0 | 0 | 0 | Reserved, do not use | |
| | | | | | | 0 | 0 | 0 | 0 | 1 | Reserved, do not use | |
| | | | | | | 0 | 0 | 0 | 1 | 0 | SVHS 1 | |
| | | | | | | 0 | 0 | 0 | 1 | 1 | SVHS 2 | |
| | | | | | | 0 | 0 | 1 | 0 | 0 | SVHS 3 | |
| | | | | | | 0 | 0 | 1 | 0 | 1 | SVHS 4 | |
| | | | | | | 0 | 0 | 1 | 1 | 0 | SVHS 5 | |
| | | | | | | 0 | 0 | 1 | 1 | 1 | SVHS 6 | |
| | | | | | | 0 | 1 | 0 | 0 | 0 | SVHS 7 | |
| | | | | | | 0 | 1 | 0 | 0 | 1 | SVHS 8 | |
| | | | | | | 0 | 1 | 0 | 1 | 0 | SVHS 9 | |
| | | | | | | 0 | 1 | 0 | 1 | 1 | SVHS 10 | |
| | | | | | | 0 | 1 | 1 | 0 | 0 | SVHS 11 | |
| | | | | | | 0 | 1 | 1 | 0 | 1 | SVHS 12 | |
| | | | | | | 0 | 1 | 1 | 1 | 0 | SVHS 13 | |
| | | | | | | 0 | 1 | 1 | 1 | 1 | SVHS 14 | |
| | | | | | | 1 | 0 | 0 | 0 | 0 | SVHS 15 | |
| | | | | | | 1 | 0 | 0 | 0 | 1 | SVHS 16 | |
| | | | | | | 1 | 0 | 0 | 1 | 0 | SVHS 17 | |
| | | | | | | 1 | 0 | 0 | 1 | 1 | SVHS 18 (CCIR 601) | |
| | | | | | | 1 | 0 | 1 | 0 | 0 | Reserved, do not use | |
| | | | ~ | ~ | ~ | ~ | ~ | Reserved, do not use | | | | |
| | | | 1 | 1 | 1 | 1 | 1 | Reserved, do not use | | | | |
| | Reserved | | 0 | 0 | | | | | Set to default | | | |
| | WYSFMOVR; enables use of the automatic WYSFM filter | 0 | | | | | | | Autoselection of best filter | | | |
| | | 1 | | | | | | | Manual select filter using WYSFM[4:0] | | | |
| 0x19 | Comb filter control | PSFSEL[1:0]; controls the signal bandwidth that is fed to the comb filters (PAL) | | | | | | 0 | 0 | Narrow | | |
| | | | | | | | | 0 | 1 | Medium | | |
| | | | | | | | | 1 | 0 | Wide | | |
| | | | | | | | | 1 | 1 | Widest | | |
| | | NSFSEL[1:0]; controls the signal bandwidth that is fed to the comb filters (NTSC) | | | | 0 | 0 | | | | Narrow | |
| | | | | | | | 0 | 1 | | | Medium | |
| | | | | | | | 1 | 0 | | | Medium | |
| | | | | | | 1 | 1 | | | Wide | | |
| | | Reserved | 1 | 1 | 1 | 1 | | | | | Set as default | |
| 0x1D | ADI Control 2 | Reserved | | | 0 | 0 | 0 | x | x | x | Set to default | |
| | | EN28XTAL | | 0 | | | | | | | Reserved, do not use | |
| | | | | 1 | | | | | | | Use 28 MHz crystal | |
| | | TRI_LLC | | 0 | | | | | | | LLC pin active | |
| | | | | 1 | | | | | | | LLC pin three-stated | |

| Subaddress | Register | Bit Description | Bits (Shading Indicates Default State) | | | | | | | Comments | Notes | | | |
|--|--|---|---|---|---|---|---|---|---|-----------------------------------|---|---|--|--|
| | | | 7 | 6 | 5 | 4 | 3 | 2 | 1 | | | 0 | | |
| 0x27 | Pixel delay control | LTA[1:0]; luma timing adjust allows the user to specify a timing difference between chroma and luma samples | | | | | | | 0 | 0 | No delay | CVBS mode LTA[1:0] = 00b, S-Video mode LTA[1:0] = 01b, YPrPb mode LTA[1:0] = 01b | | |
| | | | | | | | | | | 0 | 1 | | Luma one clock (37 ns) late | |
| | | | | | | | | | | 1 | 0 | | Luma two clocks (74 ns) early | |
| | | | | | | | | | | 1 | 1 | | Luma one clock (37 ns) early | |
| | | Reserved | | | | | | | 0 | | Set to 0 | | | |
| | | CTA[2:0]; chroma timing adjust allows a specified timing difference between the luma and chroma samples | | | 0 | 0 | 0 | | | | | | Not a valid setting | CVBS mode CTA[2:0] = 011b, S-Video mode CTA[2:0] = 101b, YPrPb mode CTA[2:0] = 110b |
| | | | | | 0 | 0 | 1 | | | | | | Chroma + two pixels (early) | |
| | | | | | 0 | 1 | 0 | | | | | | Chroma + one pixel (early) | |
| | | | | | 0 | 1 | 1 | | | | | | No delay | |
| | | | | | 1 | 0 | 0 | | | | | | Chroma – one pixel (late) | |
| | | | | | 1 | 0 | 1 | | | | | | Chroma – two pixels (late) | |
| | | | | | 1 | 1 | 0 | | | | | | Chroma – three pixels (late) | |
| | | AUTO_PDC_EN; automatically programs the LTA/CTA values so that luma and chroma are aligned at the output for all modes of operation | | 0 | | | | | | | | | Use values in LTA[1:0] and CTA[2:0] for delaying luma/chroma | |
| | | | | 1 | | | | | | | | | LTA and CTA values determined automatically | |
| SWPC; allows the Cr and Cb samples to be swapped | 0 | | | | | | | | | | No swapping | | | |
| | 1 | | | | | | | | | Swap the Cr and Cb output samples | | | | |
| 0x2B | Misc gain control | PW_UPD; peak white update determines the rate of gain | | | | | | | 0 | Update once per video line | Peak white must be enabled; see LAGC[2:0] | | | |
| | | | | | | | | | | 1 | | Update once per field | | |
| | | Reserved | | 1 | 0 | 0 | 0 | 0 | | Set to default | | | | |
| | | CKE; color kill enable allows the color kill function to be switched on and off | 0 | | | | | | | | | Color kill disabled | | |
| | | | 1 | | | | | | | | | Color kill enabled | | |
| | | Reserved | 1 | | | | | | | | | Set to default | | |
| 0x2C | AGC mode control | CAGC[1:0]; chroma automatic gain control selects the basic mode of operation for the AGC in the chroma path | | | | | | | 0 | 0 | Manual fixed gain | Use CMG[11:0] | | |
| | | | | | | | | | | 0 | 1 | | Use luma gain for chroma | |
| | | | | | | | | | | 1 | 0 | | Automatic gain | |
| | | | | | | | | | | 1 | 1 | | Freeze chroma gain | |
| | | Reserved | | | | | 1 | 1 | | | Set to 1 | | | |
| | | LAGC[2:0]; luma automatic gain control selects the mode of operation for the gain control in the luma path | 0 | 0 | 0 | | | | | | | Manual fixed gain | Use LMG[11:0] | |
| | | | 0 | 0 | 1 | | | | | | | Peak white algorithm off | | |
| | | | 0 | 1 | 0 | | | | | | | Peak white algorithm on | | |
| | | | 0 | 1 | 1 | | | | | | | Reserved | | |
| | | | 1 | 0 | 0 | | | | | | | Reserved | | |
| | | | 1 | 0 | 1 | | | | | | | Reserved | | |
| | | | 1 | 1 | 0 | | | | | | | Reserved | | |
| | | Reserved | 1 | | | | | | | | Freeze gain | | | |
| | | Reserved | 1 | | | | | | | | Set to 1 | | | |
| 0x2D | Chroma Gain Control 1, Chroma Gain1 (CG) | CMG[11:8]/CG[11:8]; in manual mode, the chroma gain control can be used to program a desired manual chroma gain; in auto mode, it can be used to read back the current gain value | | | | | 0 | 1 | 0 | 0 | | CAGC[1:0] settings decide in which mode CMG[11:0] operates | | |
| | | | Reserved | | 1 | 1 | | | | | Set to 1 | | | |
| | | CAGT[1:0]; chroma automatic gain timing allows adjustment of the chroma AGC tracking speed | 0 | 0 | | | | | | | | | Slow (TC = 2 sec) | |
| | | | 0 | 1 | | | | | | | | | Medium (TC = 1 sec) | |
| | | | 1 | 0 | | | | | | | | | Reserved | |
| | | | 1 | 1 | | | | | | | | | Adaptive | |

| Subaddress | Register | Bit Description | Bits (Shading Indicates Default State) | | | | | | | | Comments | Notes | | | | |
|------------|--|---|---|---|---|---|---|---|---|---|----------|-------|----------------|--|--|--|
| | | | 7 | 6 | 5 | 4 | 3 | 2 | 1 | 0 | | | | | | |
| 0x2E | Chroma Gain Control 2, Chroma Gain2 (CG) | CMG[7:0]/CG[7:0]; chroma manual gain lower eight bits; see CMG[11:8]/CG[11:8] for description | 0 | 0 | 0 | 0 | 0 | 0 | 0 | 0 | 0 | 0 | 0 | CMG[11:0] = see the CMG section CMG[11:0] = see the CMG section | Min value = 0d, Max value = 4095d | |
| 0x2F | Luma Gain Control 1, Luma Gain1 (LG) | LMG[11:8]/LG[11:8]; in manual mode, luma gain control can be used to program a desired manual luma gain; in auto mode, it can be used to read back the actual gain value used | | | | | x | x | x | x | | | | LAGC[1:0] settings decide in which mode LMG[11:0] operates | | |
| | | Reserved | | | 1 | 1 | | | | | | | | Set to 1 | | |
| | | LAGT[1:0]; luma automatic gain timing allows adjustment of the luma AGC tracking speed | 0 | 0 | | | | | | | | | | | Slow (TC = 2 sec) | Only has an effect if LAGC[1:0] is set to autogain (001, 010, 011, or 100) |
| | | | 0 | 1 | | | | | | | | | | | Medium (TC = 1 sec) | |
| | | | 1 | 0 | | | | | | | | | | | Fast (TC = 0.2 sec) | |
| | 1 | 1 | | | | | | | | | | | Adaptive | | | |
| 0x30 | Luma Gain Control 2, Luma Gain2 (LG) | LMG[7:0]/LG[7:0]; luma manual gain lower eight bits; see LMG[11:8]/LG[11:8] for description | x | x | x | x | x | x | x | x | x | x | x | LMG[11:0] - see the LMG section LMG[11:0] = - see the LMG section | Min value = 1024d, Max value = 4095d | |
| 0x31 | VS/FIELD Control 1 | Reserved | | | | | | | 0 | 1 | 0 | | | Set to default | | |
| | | HVSTIM; selects where within a line of video the VS signal is asserted | | | | | 0 | | | | | | | | Start of line relative to HSE | HSE = HSYNC end |
| | | | | | | 1 | | | | | | | | | Start of line relative to HSB | HSB = HSYNC begin |
| | | NEWAVMODE; sets the EAV/SAV mode | | | | 0 | | | | | | | | | EAV/SAV codes generated to suit Analog Devices encoders | |
| | | | | | | 1 | | | | | | | | | Manual VS/FIELD position controlled by the 0x32, 0x33, and 0xE5 to 0xEA registers | |
| | Reserved | 0 | 0 | 0 | | | | | | | | | Set to default | | | |
| 0x32 | VS/FIELD Control 2 | Reserved | | | 0 | 0 | 0 | 0 | 0 | 0 | 1 | | | Set to default | NEWAVMODE bit must be set high | |
| | | VSBHE | | 0 | | | | | | | | | | | | VS goes high in the middle of the line (even field) |
| | | | | 1 | | | | | | | | | | | | VS changes state at the start of the line (even field) |
| | | VSBHO | 0 | | | | | | | | | | | | | VS goes high in the middle of the line (odd field) |
| | | | 1 | | | | | | | | | | | | | VS changes state at the start of the line (odd field) |
| 0x33 | VS/FIELD Control 3 | Reserved | | | 0 | 0 | 0 | 1 | 0 | 0 | | | | Set to default | NEWAVMODE bit must be set high | |
| | | VSEHE | | 0 | | | | | | | | | | | | VS goes low in the middle of the line (even field) |
| | | | | 1 | | | | | | | | | | | | VS changes state at the start of the line (even field) |
| | | VSEHO | 0 | | | | | | | | | | | | | VS goes low in the middle of the line (odd field) |
| | | | 1 | | | | | | | | | | | | | VS changes state at the start of the line odd field |
| 0x34 | HS Position Control 1 | HSE[10:8]; HS end allows positioning of the HS output within the video line | | | | | | | 0 | 0 | 0 | | | HS output ends HSE[10:0] pixels after the falling edge of HSYNC | Using HSB and HSE the user can program the position and length of the output HSYNC | |
| | | Reserved | | | | | 0 | | | | | | | Set to 0 | | |
| | | HSB[10:8]; HS begin allows positioning of the HS output within the video line | | 0 | 0 | 0 | | | | | | | | | | HS output starts HSB[10:0] pixels after the falling edge of HSYNC |
| | | Reserved | 0 | | | | | | | | | | | | | Set to 0 |
| 0x35 | HS Position Control 2 | HSB[7:0]; see Address 0x34, using HSB[10:0] and HSE[10:0], users can program the position and length of the HS output signal | 0 | 0 | 0 | 0 | 0 | 0 | 0 | 1 | 0 | | | | | |
| 0x36 | HS Position Control 3 | HSE[7:0]; see Address 0x35 description | 0 | 0 | 0 | 0 | 0 | 0 | 0 | 0 | 0 | | | | | |

| Subaddress | Register | Bit Description | Bits (Shading Indicates Default State) | | | | | | | Comments | Notes | |
|------------------------------------|-----------------------|-------------------------------------|---|--------------------------------|---|---|---|-------------|---|---|---|------------------------|
| | | | 7 | 6 | 5 | 4 | 3 | 2 | 1 | | | 0 |
| 0x37 | Polarity | PCLK; sets polarity of LLC | | | | | | | | 0 | Invert polarity | |
| | | | | | | | | | | 1 | Normal polarity as per the timing diagrams | |
| | | Reserved | | | | | | 0 | 0 | Set to 0 | | |
| | | PF; sets the FIELD polarity | | | | | 0 | | | Active high | | |
| | | | | | | | 1 | | | Active low | | |
| | | Reserved | | | | 0 | | | | Set to 0 | | |
| | | PVS; sets the VS polarity | | | 0 | | | | | Active high | | |
| | | | | | 1 | | | | | Active low | | |
| | | 0 | | | | | | Set to 0 | | | | |
| | PHS; sets HS polarity | 0 | | | | | | Active low | | | | |
| | | 1 | | | | | | Active high | | | | |
| 0x38 | NTSC comb control | YCMN[2:0]; luma comb mode, NTSC | | | | | | 0 | 0 | 0 | Adaptive three-line, three-tap luma | |
| | | | | | | | | 1 | 0 | 0 | Use low-pass notch | |
| | | | | | | | | 1 | 0 | 1 | Fixed luma comb (two-line) | Top lines of memory |
| | | | | | | | | 1 | 1 | 0 | Fixed luma comb (three-line) | All lines of memory |
| | | | | | | | 1 | 1 | 1 | Fixed luma comb (two-line) | Bottom lines of memory | |
| | | CCMN[2:0]; chroma comb mode, NTSC | | | 0 | 0 | 0 | | | | Three-line adaptive for CTAPSN = 01, Four-line adaptive for CTAPSN = 10, Five-line adaptive for CTAPSN = 11 | |
| | | | | | 1 | 0 | 0 | | | | Disable chroma comb | |
| | | | | | 1 | 0 | 1 | | | | Fixed two-line for CTAPSN = 01, Fixed three-line for CTAPSN = 10, Fixed four-line for CTAPSN = 11 | Top lines of memory |
| | | | | | 1 | 1 | 0 | | | | Fixed three-line for CTAPSN = 01, Fixed four-line for CTAPSN = 10, Fixed five-line for CTAPSN = 11 | All lines of memory |
| | | | | | 1 | 1 | 1 | | | | Fixed two-line for CTAPSN = 01, Fixed three-line for CTAPSN = 10, Fixed four-line for CTAPSN = 11 | Bottom lines of memory |
| | | | | | 0 | 0 | | | | | Not used | |
| | | CTAPSN[1:0]; chroma comb taps, NTSC | 0 | 1 | | | | | | Adapts three lines to two lines | | |
| | | | 1 | 0 | | | | | | Adapts five lines to three lines | | |
| | | | 1 | 1 | | | | | | Adapts five lines to four lines | | |
| | | | | | | | | | | | | |
| | | 0x39 | PAL comb control | YCMP[2:0]; luma comb mode, PAL | | | | | | 0 | 0 | 0 |
| | | | | | | | | 1 | 0 | 0 | Use low-pass notch | |
| | | | | | | | | 1 | 0 | 1 | Fixed luma comb (three-line) | Top lines of memory |
| | | | | | | | | 1 | 1 | 0 | Fixed luma comb (five-line) | All lines of memory |
| | | | | | | | 1 | 1 | 1 | Fixed luma comb (three-line) | Bottom lines of memory | |
| CCMP[2:0]; chroma comb mode, PAL | | | | | 0 | 0 | 0 | | | | Three-line adaptive for CTAPSN = 01, Four-line adaptive for CTAPSN = 10, Five-line adaptive for CTAPSN = 11 | |
| | | | | | 1 | 0 | 0 | | | | Disable chroma comb | |
| | | | | | 1 | 0 | 1 | | | | Fixed two-line for CTAPSN = 01 Fixed three-line for CTAPSN = 10 Fixed four-line for CTAPSN = 11 | Top lines of memory |
| | | | | | 1 | 1 | 0 | | | | Fixed three-line for CTAPSN = 01 Fixed four-line for CTAPSN = 10 Fixed five-line for CTAPSN = 11 | All lines of memory |
| | | | | | 1 | 1 | 1 | | | | Fixed two-line for CTAPSN = 01 Fixed three-line for CTAPSN = 10 Fixed four-line for CTAPSN = 11 | Bottom lines of memory |
| | | | | | 0 | 0 | | | | | Not used | |
| CTAPSP[1:0]; chroma comb taps, PAL | 0 | | | 1 | | | | | | Adapts five lines to three lines (two taps) | | |
| | 1 | | | 0 | | | | | | Adapts five lines to three lines (three taps) | | |
| | 1 | | | 1 | | | | | | Adapts five lines to four lines (four taps) | | |
| | | | | | | | | | | | | |

| Subaddress | Register | Bit Description | Bits (Shading Indicates Default State) | | | | | | | | Comments | Notes | |
|------------|-----------------------|--|---|---|---|---|---|---|----------------|----------------|--|---|---|
| | | | 7 | 6 | 5 | 4 | 3 | 2 | 1 | 0 | | | |
| 0x3A | ADC control | MUX PDN override; mux power-down override | | | | | | | | | 0 | | No control over power-down for muxes and associated channel circuit |
| | | | | | | | | | | | | 1 | |
| | | PWRDWN_MUX_2; enables power-down of MUX2 and associated channel clamp and buffer | | | | | | | | | 0 | MUX2 and associated channel in normal operation | |
| | | | | | | | | | | | 1 | Power down MUX2 and associated channel operation | MUX PDN Override = 1 |
| | | PWRDWN_MUX_1; enables power-down of MUX1 and associated channel clamp and buffer | | | | | | | | 0 | | MUX1 and associated channel in normal operation | |
| | | | | | | | | | | 1 | | Power down MUX1 and associated channel operation | MUX PDN Override = 1 |
| | | PWRDWN_MUX_0; enables power-down of MUX0 and associated channel clamp and buffer | | | | | | | 0 | | | MUX0 and associated channel in normal operation | |
| | | | | | | | | | 1 | | | Power down MUX0 and associated channel operation | MUX PDN Override = 1 |
| Reserved | | 0 | 0 | 0 | 1 | | | | | Set as default | | | |
| 0x3D | Manual window control | Reserved | | | | | 0 | 0 | 1 | 0 | Set to default | | |
| | | CKILLTHR[2:0] | | 0 | 0 | 0 | | | | | NTSC, PAL color kill at <0.5%, SECAM no color kill | CKE = 1 enables the color kill function and must be enabled for CKILLTHR[2:0] to take effect | |
| | | | | 0 | 0 | 1 | | | | | NTSC, PAL color kill at <1.5%, SECAM color kill at <5% | | |
| | | | | 0 | 1 | 0 | | | | | NTSC, PAL color kill at <2.5%, SECAM color kill at <7% | | |
| | | | | 0 | 1 | 1 | | | | | NTSC, PAL color kill at <4%, SECAM color kill at <8% | | |
| | | | | 1 | 0 | 0 | | | | | NTSC, PAL color kill at <8.5%, SECAM color kill at <9.5% | | |
| | | | | 1 | 0 | 1 | | | | | NTSC, PAL color kill at <16%, SECAM color kill at <15% | | |
| | | | | 1 | 1 | 0 | | | | | NTSC, PAL color kill at <32%, SECAM color kill at <32% | | |
| Reserved | | 1 | 1 | 1 | | | | | Reserved | | | | |
| Reserved | | 1 | | | | | | | Set to default | | | | |
| 0x41 | Resample control | Reserved | | | 0 | 0 | 0 | 0 | 0 | 1 | Set to default | | |
| | | SFL_INV; controls the behavior of the PAL switch bit | | 0 | | | | | | | SFL-compatible with the ADV717x and ADV73xx video encoders | | |
| | | | | 1 | | | | | | | SFL-compatible with the ADV7194 video encoder | | |
| Reserved | | 0 | | | | | | | Set to default | | | | |
| 0x48 | Gemstar Control 1 | GDECEL[15:8]; see the Comments column | 0 | 0 | 0 | 0 | 0 | 0 | 0 | 0 | GDECEL[15:0]: 16 individual enable bits that select the lines of video (even field Line 10 to Line 25) that the decoder checks for Gemstar-compatible data | LSB = Line 10, MSB = Line 25, Default = do not check for Gemstar-compatible data on any lines [10 to 25] in even fields | |
| 0x49 | Gemstar Control 2 | GDECEL[7:0] | 0 | 0 | 0 | 0 | 0 | 0 | 0 | 0 | | | |

| Subaddress | Register | Bit Description | Bits (Shading Indicates Default State) | | | | | | | | Comments | Notes |
|--|----------------------|---|---|---|---|---|---|------------------------|--|----------------------|---|--|
| | | | 7 | 6 | 5 | 4 | 3 | 2 | 1 | 0 | | |
| 0x4A | Gemstar Control 3 | GDECOL[15:8]; see the Comments column | 0 | 0 | 0 | 0 | 0 | 0 | 0 | 0 | GDECOL[15:0]: 16 individual enable bits that select the lines of video (odd field Line 10 to Line 25) that the decoder checks for Gemstar-compatible data | LSB = Line 10, MSB = Line 25, Default = do not check for Gemstar-compatible data on any lines [10 to 25] in odd fields |
| 0x4B | Gemstar Control 4 | GDECOL[7:0] | 0 | 0 | 0 | 0 | 0 | 0 | 0 | 0 | | |
| 0x4C | Gemstar Control 5 | GDECAD; controls the manner decoded Gemstar data is inserted into the horizontal blanking period | | | | | | | | 0 | Split data into half-byte | To avoid 00/FF code |
| | | | | | | | | | | 1 | Output in straight 8-bit format | |
| | | GDE_SEL_OLD_ADF | | | | | 0 | | | | | |
| | | Reserved | x | x | x | x | | x | x | | Undefined | |
| 0x4D | CTI DNR Control 1 | CTI_EN; CTI enable | | | | | | | | 0 | Disable CTI | |
| | | | | | | | | | | 1 | Enable CTI | |
| | | CTI_AB_EN; enables the mixing of the transient improved chroma with the original signal | | | | | | | | 0 | Disable CTI alpha blender | |
| | | | | | | | | | | 1 | Enable CTI alpha blender | |
| | | CTI_AB[1:0]; controls the behavior of the alpha-blend circuitry | | | | | 0 | 0 | | | Sharpest mixing | |
| | | | | | | | 0 | 1 | | | Sharp mixing | |
| | | | | | | | 1 | 0 | | | Smooth mixing | |
| | | | | | | 1 | 1 | | | | Smoothest mixing | |
| | | Reserved | | | | 0 | | | | | Set to default | |
| | | DNR_EN; enable or bypass the DNR block | | | 0 | | | | | | Bypass the DNR block | |
| | | | 1 | | | | | | Enable the DNR block | | | |
| Reserved | 1 | 1 | | | | | | | Set to default | | | |
| 0x4E | CTI DNR Control 2 | CTI_C_TH[7:0]; specifies how big the amplitude step must be to be steepened by the CTI block | 0 | 0 | 0 | 0 | 1 | 0 | 0 | 0 | Set to 0x04 for AV input; set to 0x0A for tuner input | |
| 0x50 | CTI DNR Control 4 | DNR_TH[7:0]; specifies the maximum edge that is interpreted as noise and is therefore blanked | 0 | 0 | 0 | 0 | 1 | 0 | 0 | 0 | | |
| 0x51 | Lock count | CIL[2:0]; count into lock determines the number of lines the system must remain in lock before showing a locked status | | | | | | 0 | 0 | 0 | One line of video | |
| | | | | | | | | 0 | 0 | 1 | Two lines of video | |
| | | | | | | | | 0 | 1 | 0 | Five lines of video | |
| | | | | | | | | 0 | 1 | 1 | 10 lines of video | |
| | | | | | | | | 1 | 0 | 0 | 100 lines of video | |
| | | | | | | | | 1 | 0 | 1 | 500 lines of video | |
| | | | | | | | | 1 | 1 | 0 | 1000 lines of video | |
| | | | | | | | | 1 | 1 | 1 | 100,000 lines of video | |
| | | COL[2:0]; count out of lock determines the number of lines the system must remain out-of-lock before showing a lost-locked status | | 0 | 0 | 0 | | | | | 1 line of video | |
| | | | | 0 | 0 | 1 | | | | | 2 lines of video | |
| | | | | 0 | 1 | 0 | | | | | 5 lines of video | |
| | | | | 0 | 1 | 1 | | | | | 10 lines of video | |
| | | | | 1 | 0 | 0 | | | | | 100 lines of video | |
| | | | | 1 | 0 | 1 | | | | | 500 lines of video | |
| | | | 1 | 1 | 0 | | | | | 1000 lines of video | | |
| | 1 | 1 | 1 | | | | | 100,000 lines of video | | | | |
| SRLS; select raw lock signal; selects the determination of the lock status | 0 | | | | | | | | Over field with vertical info | | | |
| | 1 | | | | | | | | Line-to-line evaluation | | | |
| FSCL; f _{sc} lock enable | 0 | | | | | | | | Lock status set only by horizontal lock | | | |
| | 1 | | | | | | | | Lock status set by horizontal lock and subcarrier lock | | | |
| 0x58 | VS/FIELD pin control | VS/FIELD; VSYNC or FIELD output; 40-lead and 32-lead LFCSP only | | | | | | | 0 | FIELD | Pin 37 on 40-lead LFCSP, Pin 31 on 32-lead LFCSP | |
| | | | | | | | | | 1 | VSYNC | | |
| | | Reserved | | | | | | | 0 | Set to default | | |
| | | ADC sampling control | | | | | | | 0 | ADC sampling control | | |
| | | | | | | | | | 1 | Y/C mode only | | |
| Reserved | 0 | 0 | 0 | 0 | 0 | | | | Set to default | Mandatory write | | |

| Subaddress | Register | Bit Description | Bits (Shading Indicates Default State) | | | | | | | | Comments | Notes | | | | |
|------------|-------------------------|--|---|---|--|---|---|---|-----------------------|-------------------|---|---|------------------|----------------|------------------|--------------|
| | | | 7 | 6 | 5 | 4 | 3 | 2 | 1 | 0 | | | | | | |
| 0x59 | General-purpose outputs | GPO[3:0]; LQFP only | | | | | | | | 0 | Outputs 0 to GPO0 | GPO_ENABLE must be set to 1 for these bits to take effect | | | | |
| | | | | | | | | | | 1 | Outputs 1 to GPO0 | | | | | |
| | | | | | | | | | | 0 | Outputs 0 to GPO1 | | | | | |
| | | | | | | | | | | 1 | Outputs 1 to GPO1 | | | | | |
| | | | | | | | | | | 0 | Outputs 0 to GPO2 | | | | | |
| | | | | | | | | | | 1 | Outputs 1 to GPO2 | | | | | |
| | | | | | | | | | | 0 | Outputs 0 to GPO3 | | | | | |
| | | | | | | | | | 1 | Outputs 1 to GPO3 | | | | | | |
| | | GPO_ENABLE | | | | | 0 | | GPO[3:0] three-stated | | | | | | | |
| | | | | | | | 1 | | GPO[3:0] enabled | | | | | | | |
| | | Reserved | 0 | 0 | 0 | | | | | | | | | | | |
| 0x8F | Free-Run Line Length 1 | Reserved | | | | | 0 | 0 | 0 | 0 | Set to default | | | | | |
| | | LLC_PAD_SEL[2:0]; enables manual selection of the clock for the LLC pin | | 0 | 0 | 0 | | | | | LLC (nominal 27 MHz) selected out on LLC pin | | | | | |
| | | | | 1 | 0 | 1 | | | | | LLC (nominal 13.5 MHz) selected out on LLC pin | For 16-bit 4:2:2 out, OF_SEL[3:0] = 0010 | | | | |
| | | Reserved | 0 | | | | | | | | Set to default | | | | | |
| 0x99 | CCAP1 (read only) | CCAP1[7:0]; closed caption data register | x | x | x | x | x | x | x | x | CCAP1[7] contains parity bit for Byte 0 | | | | | |
| 0x9A | CCAP2 (read only) | CCAP2[7:0]; closed caption data register | x | x | x | x | x | x | x | x | CCAP2[7] contains parity bit for Byte 0 | | | | | |
| 0x9B | Letterbox 1 (read only) | LB_LCT[7:0]; letterbox data register | x | x | x | x | x | x | x | x | Reports the number of black lines detected at the top of active video | This feature examines the active video at the start and end of each field; it enables format detection even if the video is not accompanied by a CGMS or WSS sequence | | | | |
| 0x9C | Letterbox 2 (read only) | LB_LCM[7:0]; letterbox data register | x | x | x | x | x | x | x | x | Reports the number of black lines detected in the bottom half of active video if subtitles are detected | | | | | |
| 0x9D | Letterbox 3 (read only) | LB_LCB[7:0]; letterbox data register | x | x | x | x | x | x | x | x | Reports the number of black lines detected at the bottom of active video | | | | | |
| 0xB2 | CRC enable (write only) | Reserved | | | | | | | 0 | 0 | Set as default | | | | | |
| | | CRC_ENABLE; enable CRC checksum decoded from FMS packet to validate CGMSD | | | | | | | 0 | | Turn off CRC check | | | | | |
| | | | | | | | | | 1 | | CGMSD goes high with valid checksum | | | | | |
| | | Reserved | 0 | 0 | 0 | 1 | 1 | | | | | Set as default | | | | |
| 0xC3 | ADC Switch 1 | MUX0[2:0]; manual muxing control for MUX0; this setting controls which input is routed to the ADC for processing | | | | | | | 0 | 0 | 0 | LQFP | LFCSP | MAN_MUX_EN = 1 | | |
| | | | | | | | | | 0 | 0 | 1 | A _{IN1} | A _{IN1} | | | |
| | | | | | | | | | | 0 | 1 | 0 | A _{IN2} | | No connect | |
| | | | | | | | | | | 0 | 1 | 1 | A _{IN3} | | No connect | |
| | | | | | | | | | | 1 | 0 | 0 | A _{IN4} | | A _{IN2} | |
| | | | | | | | | | | 1 | 0 | 1 | A _{IN5} | | A _{IN3} | |
| | | | | | | | | | | 1 | 1 | 0 | A _{IN6} | | No connect | |
| | | | | | | | | | | 1 | 1 | 1 | No connect | | No connect | |
| | | | | | Reserved | | | | | 0 | | | | | | |
| | | | | | MUX1[2:0]; manual muxing control for MUX1; this setting controls which input is routed to the ADC for processing | | | | | | | | | | LQFP | LFCSP |
| | | | | 0 | | 0 | 0 | | | | | No connect | No connect | | | |
| | | | | 0 | | 0 | 1 | | | | | No connect | No connect | | | |
| | | | | 0 | | 1 | 0 | | | | | No connect | No connect | | | |
| | | | | 0 | | 1 | 1 | | | | | A _{IN3} | No connect | | | |
| | | | | 1 | | 0 | 0 | | | | | A _{IN4} | A _{IN2} | | | |
| | | 1 | 0 | 1 | | | | | | A _{IN5} | A _{IN3} | | | | | |
| | | 1 | 1 | 0 | | | | | A _{IN6} | No connect | | | | | | |
| | | 1 | 1 | 1 | | | | | No connect | No connect | | | | | | |
| | | Reserved | 0 | | | | | | | | | | | | | |

| Subaddress | Register | Bit Description | Bits (Shading Indicates Default State) | | | | | | | | Comments | | Notes | | | | |
|------------|---|--|---|---|---|---|---|---|---|---|------------|------------------|------------------------------|--|---|--|--|
| | | | 7 | 6 | 5 | 4 | 3 | 2 | 1 | 0 | | | | | | | |
| 0xC4 | ADC Switch 2 | MUX2[2:0]; manual muxing control for MUX2; this setting controls which input is routed to the ADC for processing | | | | | | | | | | | | | LQFP LFCSP | MAN_MUX_EN = 1 | |
| | | | | | | | | | 0 | 0 | 0 | No connect | No connect | | | | |
| | | | | | | | | | 0 | 0 | 1 | No connect | No connect | | | | |
| | | | | | | | | | 0 | 1 | 0 | A _{IN2} | No connect | | | | |
| | | | | | | | | | 0 | 1 | 1 | No connect | No connect | | | | |
| | | | | | | | | | 1 | 0 | 0 | No connect | No connect | | | | |
| | | | | | | | | | 1 | 0 | 1 | A _{IN5} | A _{IN3} | | | | |
| | | | | | | | | | 1 | 1 | 0 | A _{IN6} | No connect | | | | |
| | | | | | | | | 1 | 1 | 1 | No connect | No connect | | | | | |
| | | Reserved | | 0 | 0 | 0 | 0 | | | | | | | | | | |
| | | MAN_MUX_EN; enable manual setting of the input signal muxing | 0 | | | | | | | | | | | Disable | This bit must be set to 1 for manual muxing | | |
| | | | 1 | | | | | | | | | | Enable | | | | |
| 0xDC | Letterbox Control 1 | LB_TH[4:0]; sets the threshold value that determines if a line is black | | | | 0 | 1 | 1 | 0 | 0 | | | | | Default threshold for the detection of black lines 01101 to 10000—increase threshold, 00000 to 01011—decrease threshold | | |
| | | Reserved | 1 | 0 | 1 | | | | | | | | | Set as default | | | |
| 0xDD | Letterbox Control 2 | LB_EL[3:0]; programs the end line of the activity window for LB detection (end of field) | | | | | 1 | 1 | 0 | 0 | | | | | LB detection ends with the last line of active video on a field, 1100b: 262/525 | | |
| | | LB_SL[3:0]; programs the start line of the activity window for LB detection (start of field) | 0 | 1 | 0 | 0 | | | | | | | | Letterbox detection aligned with the start of active video, 0100b: 23/286 NTSC | | | |
| 0xDE | ST Noise Readback 1 (read only) | ST_NOISE[10:8] | | | | | | x | x | x | | | | | When = 1, ST_NOISE[10:0] is valid | | |
| | | ST_NOISE_VLD | | | | | x | | | | | | | | | | |
| 0xDF | ST Noise Readback 2 (read only) | ST_NOISE[7:0] | x | x | x | x | x | x | x | x | | | | | | | |
| 0xE1 | SD Offset Cb | SD_OFF_Cb[7:0]; adjusts the hue by selecting the offset for the Cb channel | 0 | 0 | 0 | 0 | 0 | 0 | 0 | 0 | 0 | | | | | -312 mV offset applied to the Cb channel | |
| | | | 1 | 0 | 0 | 0 | 0 | 0 | 0 | 0 | 0 | | | | | 0 mV offset applied to the Cb channel | |
| | | | 1 | 1 | 1 | 1 | 1 | 1 | 1 | 1 | 1 | 1 | | | | | +312 mV offset applied to the Cb channel |
| 0xE2 | SD Offset Cr | SD_OFF_Cr[7:0]; adjusts the hue by selecting the offset for the Cr channel | 0 | 0 | 0 | 0 | 0 | 0 | 0 | 0 | 0 | | | | | -312 mV offset applied to the Cr channel | |
| | | | 1 | 0 | 0 | 0 | 0 | 0 | 0 | 0 | 0 | | | | | 0 mV offset applied to the Cr channel | |
| | | | 1 | 1 | 1 | 1 | 1 | 1 | 1 | 1 | 1 | 1 | | | | | +312 mV offset applied to the Cr channel |
| 0xE3 | SD Saturation Cb | SD_SAT_Cb[7:0]; adjusts the saturation by affecting gain on the Cb channel | 0 | 0 | 0 | 0 | 0 | 0 | 0 | 0 | 0 | | | | | Gain on Cb channel = -42 dB | |
| | | | 1 | 0 | 0 | 0 | 0 | 0 | 0 | 0 | 0 | | | | | Gain on Cb channel = 0 dB | |
| | | | 1 | 1 | 1 | 1 | 1 | 1 | 1 | 1 | 1 | 1 | | | | | Gain on Cb channel = +6 dB |
| 0xE4 | SD Saturation Cr | SD_SAT_Cr[7:0]; adjusts the saturation by affecting gain on the Cr channel | 0 | 0 | 0 | 0 | 0 | 0 | 0 | 0 | 0 | | | | | Gain on Cr channel = -42 dB | |
| | | | 1 | 0 | 0 | 0 | 0 | 0 | 0 | 0 | 0 | | | | | Gain on Cr channel = 0 dB | |
| | | | 1 | 1 | 1 | 1 | 1 | 1 | 1 | 1 | 1 | 1 | | | | | Gain on Cr channel = +6 dB |
| 0xE5 | NTSC V bit begin | NVBEG[4:0]; number of lines after I _{COUNT} rollover to set V high | | | | 0 | 0 | 1 | 0 | 1 | | | | | NTSC default (ITU-R BT.656) | | |
| | | NVBEGSIGN | | | 0 | | | | | | | | | Set to low when manual programming | | | |
| | | | | | 1 | | | | | | | | | Not suitable for user programming | | | |
| | | NVBEGDELE; delay V bit going high by one line relative to NVBEG (even field) | 0 | | | | | | | | | | | No delay | | | |
| | | | | 1 | | | | | | | | | | Additional delay by one line | | | |
| | NVBEGDELO; delay V bit going high by one line relative to NVBEG (odd field) | 0 | | | | | | | | | | | No delay | | | | |
| | | 1 | | | | | | | | | | | Additional delay by one line | | | | |

| Subaddress | Register | Bit Description | Bits (Shading Indicates Default State) | | | | | | | | Comments | Notes |
|------------|-------------------|--|---|---|---|---|---|---|---|------------------------------|------------------------------------|-------|
| | | | 7 | 6 | 5 | 4 | 3 | 2 | 1 | 0 | | |
| 0xE6 | NTSC V bit end | NVEND[4:0]; number of lines after I _{COUNT} rollover to set V low | | | | 0 | 0 | 1 | 0 | 0 | NTSC default (ITU-R BT.656) | |
| | | NVENDSIGN | | | 0 | | | | | | Set to low when manual programming | |
| | | | | | 1 | | | | | | Not suitable for user programming | |
| | | NVENDDELE; delay V bit going low by one line relative to NVEND (even field) | | 0 | | | | | | | No delay | |
| | | | | 1 | | | | | | | Additional delay by one line | |
| | | NVENDDELO; delay V bit going low by one line relative to NVEND (odd field) | 0 | | | | | | | No delay | | |
| | | | 1 | | | | | | | Additional delay by one line | | |
| 0xE7 | NTSC F bit toggle | NFTOG[4:0]; number of lines after I _{COUNT} rollover to toggle F signal | | | | 0 | 0 | 0 | 1 | 1 | NTSC default | |
| | | NFTOGSIGN | | | 0 | | | | | | Set to low when manual programming | |
| | | | | | 1 | | | | | | Not suitable for user programming | |
| | | NFTOGDELE; delay F transition by one line relative to NFTOG (even field) | | 0 | | | | | | | No delay | |
| | | | | 1 | | | | | | | Additional delay by one line | |
| | | NFTOGDELO; delay F transition by one line relative to NFTOG (odd field) | 0 | | | | | | | No delay | | |
| | | | 1 | | | | | | | Additional delay by one line | | |
| 0xE8 | PAL V bit begin | PVBEG[4:0]; number of lines after I _{COUNT} rollover to set V high | | | | 0 | 0 | 1 | 0 | 1 | PAL default (ITU-R BT.656) | |
| | | PVBEGSIGN | | | 0 | | | | | | Set to low when manual programming | |
| | | | | | 1 | | | | | | Not suitable for user programming | |
| | | PVBEGDELE; delay V bit going high by one line relative to PVBEG (even field) | | 0 | | | | | | | No delay | |
| | | | | 1 | | | | | | | Additional delay by one line | |
| | | PVBEGDELO; delay V bit going high by one line relative to PVBEG (odd field) | 0 | | | | | | | No delay | | |
| | | | 1 | | | | | | | Additional delay by one line | | |
| 0xE9 | PAL V bit end | PVEND[4:0]; number of lines after I _{COUNT} rollover to set V low. | | | | 1 | 0 | 1 | 0 | 0 | PAL default (ITU-R BT.656) | |
| | | PVENDSIGN | | | 0 | | | | | | Set to low when manual programming | |
| | | | | | 1 | | | | | | Not suitable for user programming | |
| | | PVENDDELE; delay V bit going low by one line relative to PVEND (even field) | | 0 | | | | | | | No delay | |
| | | | | 1 | | | | | | | Additional delay by one line | |
| | | PVENDDELO; delay V bit going low by one line relative to PVEND (odd field) | 0 | | | | | | | No delay | | |
| | | | 1 | | | | | | | Additional delay by one line | | |
| 0xEA | PAL F bit toggle | PFTOG[4:0]; number of lines after I _{COUNT} rollover to toggle F signal | | | | 0 | 0 | 0 | 1 | 1 | PAL default (ITU-R BT.656) | |
| | | PFTOGSIGN | | | 0 | | | | | | Set to low when manual programming | |
| | | | | | 1 | | | | | | Not suitable for user programming | |
| | | PFTOGDELE; delay F transition by one line relative to PFTOG (even field) | | 0 | | | | | | | No delay | |
| | | | | 1 | | | | | | | Additional delay by one line | |
| | | PFTOGDELO; delay F transition by one line relative to PFTOG (odd field) | 0 | | | | | | | No delay | | |
| | | | 1 | | | | | | | Additional delay by one line | | |

| Subaddress | Register | Bit Description | Bits (Shading Indicates Default State) | | | | | | | Comments | Notes | | | |
|------------|---|--|---|---|---|---|---|---|---|----------|--|--|--|--|
| | | | 7 | 6 | 5 | 4 | 3 | 2 | 1 | | | 0 | | |
| 0xEB | Vblank Control 1 | PVBIELCM[1:0]; PAL VBI even field line control | | | | | | | 0 | 0 | VBI ends one line earlier (Line 335) | Controls position of first active (comb filtered) line after VBI on even field in PAL | | |
| | | | | | | | | | 0 | 1 | ITU-R BT.470 compliant (Line 336) | | | |
| | | | | | | | | | 1 | 0 | VBI ends one line later (Line 337) | | | |
| | | | | | | | | | 1 | 1 | VBI ends two lines later (Line 338) | | | |
| | | PVBIOLCM[1:0]; PAL VBI odd field line control | | | | | 0 | 0 | | | VBI ends one line earlier (Line 22) | | Controls position of first active (comb filtered) line after VBI on odd field in PAL | |
| | | | | | | | 0 | 1 | | | ITU-R BT.470 compliant (Line 23) | | | |
| | | | | | | | 1 | 0 | | | VBI ends one line later (Line 24) | | | |
| | | | | | | | 1 | 1 | | | VBI ends two lines later (Line 25) | | | |
| | NVBIELCM[1:0]; NTSC VBI even field line control | | | 0 | 0 | | | | | | VBI ends one line earlier (Line 282) | Controls position of first active (comb filtered) line after VBI on even field in NTSC | | |
| | | | | 0 | 1 | | | | | | ITU-R BT.470 compliant (Line 283) | | | |
| | | | | 1 | 0 | | | | | | VBI ends one line later (Line 284) | | | |
| | | | | 1 | 1 | | | | | | VBI ends two lines later (Line 285) | | | |
| | NVBIOLCM[1:0]; NTSC VBI odd field line control | 0 | 0 | | | | | | | | VBI ends one line earlier (Line 20) | Controls position of first active (comb filtered) line after VBI on odd field in NTSC | | |
| | | 0 | 1 | | | | | | | | ITU-R BT.470 compliant (Line 21) | | | |
| | | 1 | 0 | | | | | | | | VBI ends one line later (Line 22) | | | |
| | | 1 | 1 | | | | | | | | VBI ends two lines later (Line 23) | | | |
| 0xEC | Vblank Control 2 | PVBIECM[1:0]; PAL VBI even field color control | | | | | | | 0 | 0 | Color output beginning Line 335 | Controls the position of first line that outputs color after VBI on even field in PAL | | |
| | | | | | | | | | 0 | 1 | ITU-R BT.470 compliant color output beginning Line 336 | | | |
| | | | | | | | | | 1 | 0 | Color output beginning Line 337 | | | |
| | | | | | | | | | 1 | 1 | Color output beginning Line 338 | | | |
| | | PVBIOCM[1:0]; PAL VBI odd field color control | | | | | 0 | 0 | | | | | Color output beginning Line 22 | Controls the position of first line that outputs color after VBI on odd field in PAL |
| | | | | | | | 0 | 1 | | | | | ITU-R BT.470-compliant color output beginning Line 23 | |
| | | | | | | | 1 | 0 | | | | | Color output beginning Line 24 | |
| | | | | | | | 1 | 1 | | | | | Color output beginning Line 25 | |
| | NVBIECM[1:0]; NTSC VBI even field color control | | | 0 | 0 | | | | | | | Color output beginning Line 282 | Controls the position of first line that outputs color after VBI on even field in NTSC | |
| | | | | 0 | 1 | | | | | | | ITU-R BT.470-compliant color output beginning Line 283 | | |
| | | | | 1 | 0 | | | | | | | VBI ends one line later (Line 284) | | |
| | | | | 1 | 1 | | | | | | | Color output beginning Line 285 | | |
| | NVBIOCM[1:0]; NTSC VBI odd field color control | 0 | 0 | | | | | | | | | Color output beginning Line 20 | Controls the position of first line that outputs color after VBI on odd field in NTSC | |
| | | 0 | 1 | | | | | | | | | ITU-R BT.470 compliant color output beginning Line 21 | | |
| | | 1 | 0 | | | | | | | | | Color output beginning Line 22 | | |
| | | 1 | 1 | | | | | | | | | Color output beginning Line 23 | | |
| 0xF3 | AFE_CONTROL 1 | AA_FILT_EN[2:0]; antialiasing filter enable | | | | | | | | 0 | Antialiasing Filter 1 disabled | AA_FILT_MAN_OVR must be enabled to change settings defined by INSEL[3:0] | | |
| | | | | | | | | | | | 1 | | Antialiasing Filter 1 enabled | |
| | | | | | | | | | | | 0 | | Antialiasing Filter 2 disabled | |
| | | | | | | | | | | | 1 | | Antialiasing Filter 2 enabled | |
| | | | | | | | | | | | 0 | | Antialiasing Filter 3 disabled | |
| | | | | | | | | | | | 1 | | Antialiasing Filter 3 enabled | |
| | | AA_FILT_MAN_OVR; antialiasing filter override | | | | | 0 | | | | | | Override disabled | |
| | | | | | | | 1 | | | | | | Override enabled | |
| | | Reserved | 0 | 0 | 0 | 0 | | | | | | | | |

| Subaddress | Register | Bit Description | Bits (Shading Indicates Default State) | | | | | | | | Comments | Notes | | |
|--------------------|------------------|---|---|-----------------|--------------------|---|---|---|---|--|---|--------------|--|--------------|
| | | | 7 | 6 | 5 | 4 | 3 | 2 | 1 | 0 | | | | |
| 0xF4 | Drive strength | DR_STR_S[1:0]; selects the drive strength for the sync output signals | | | | | | | 0 | 0 | Low drive strength (1x) | | | |
| | | | | | | | | | 0 | 1 | Medium low drive strength (2x) | | | |
| | | | | | | | | | 1 | 0 | Medium high drive strength (3x) | | | |
| | | | | | | | | | 1 | 1 | High drive strength (4x) | | | |
| | | DR_STR_C[1:0]; selects the drive strength for the clock output signal | | | | 0 | 0 | | | | | | Low drive strength (1x) | |
| | | | | | | 0 | 1 | | | | | | Medium low drive strength (2x) | |
| | | | | | | 1 | 0 | | | | | | Medium high drive strength (3x) | |
| | | | | | | 1 | 1 | | | | | | High drive strength (4x) | |
| | | DR_STR[1:0]; selects the drive strength for the data output signals; can be increased or decreased for EMC or crosstalk reasons | | 0 | 0 | | | | | | | | Low drive strength (1x) | |
| | | | | 0 | 1 | | | | | | | | Medium low drive strength (2x) | |
| | | | | 1 | 0 | | | | | | | | Medium high drive strength (3x) | |
| | | | | 1 | 1 | | | | | | | | High drive strength (4x) | |
| Reserved | x | x | | | | | | | | | | | | |
| 0xF8 | IF comp control | IFFILTSEL[2:0]; IF filter selection for PAL and NTSC | | | | | | 0 | 0 | 0 | Bypass mode | 0 dB | | |
| | | | | | | | | | | | | 2 MHz | 5 MHz | NTSC filters |
| | | | | | | | | | 0 | 0 | 1 | -3 dB | -2 dB | |
| | | | | | | | | | 0 | 1 | 0 | -6 dB | +3.5 dB | |
| | | | | | | | | | 0 | 1 | 1 | -10 dB | +5 dB | |
| | | | | | | | | | 1 | 0 | 0 | Reserved | | PAL filters |
| | | | | | | | | | | | | 3 MHz | 6 MHz | |
| | | | | | | | | | 1 | 0 | 1 | -2 dB | +2 dB | |
| | | | | | | | | | 1 | 1 | 0 | -5 dB | +3 dB | |
| | | | | | | | | | 1 | 1 | 1 | -7 dB | +5 dB | |
| | | | Reserved | 0 | 0 | 0 | 0 | 0 | | | | | | |
| | | | 0xF9 | VS mode control | EXTEND_VS_MAX_FREQ | | | | | | | 0 | Limits maximum VSYNC frequency to 66.25 Hz (475 lines/frame) | |
| | | | | | | | | | | 1 | Limits maximum VSYNC frequency to 70.09 Hz (449 lines/frame) | | | |
| EXTEND_VS_MIN_FREQ | | | | | | | | | 0 | Limits minimum VSYNC frequency to 42.75 Hz (731 lines/frame) | | | | |
| | | | | | | | | | 1 | Limits minimum VSYNC frequency to 39.51 Hz (791 lines/frame) | | | | |
| VS_COAST_MODE[1:0] | | | | | | 0 | 0 | | | | Autocoast mode | | | |
| | | | | | | 0 | 1 | | | | 50 Hz coast mode | | | |
| | | | | | | 1 | 0 | | | | 60 Hz coast mode | | | |
| Reserved | 0 | 0 | | | 0 | 0 | | | | | Reserved | | | |
| 0xFB | Peaking control | PEAKING_GAIN[7:0] | 0 | 1 | 0 | 0 | 0 | 0 | 0 | 0 | Increases/decreases the gain for high frequency portions of the video signal | | | |
| 0xFC | Coring threshold | DNR_TH2[7:0] | 0 | 0 | 0 | 0 | 0 | 1 | 0 | 0 | Specifies the maximum edge that is interpreted as noise and therefore blanked | | | |

¹ Shading indicates default values.
² x indicates a bit that keeps the last written value.

Table 108. Register Map Descriptions (Interrupt Operation)^{1, 2}

| Address | Register | User Sub Map Bit Description | Bit (Shading Indicates Default State) | | | | | | | | Comments | Notes | |
|----------|--------------------------------|---|---------------------------------------|---|---|---|---|--|----------------------|--|--|-------|------------------------|
| | | | 7 | 6 | 5 | 4 | 3 | 2 | 1 | 0 | | | |
| 0x40 | Interrupt Configuration 1 | INTRQ_OP_SEL[1:0]; interrupt drive level select | | | | | | | 0 | 0 | Open drain | | |
| | | | | | | | | | | 0 | 1 | | Drive low when active |
| | | | | | | | | | | 1 | 0 | | Drive high when active |
| | | | | | | | | | | 1 | 1 | | Reserved |
| | | MPU_STIM_INTRQ; manual interrupt set mode | | | | | | | 0 | | Manual interrupt mode disabled | | |
| | | | | | | | | | 1 | | Manual interrupt mode enabled | | |
| | | Reserved | | | | x | | | | | Not used | | |
| | | MV_INTRQ_SEL[1:0]; Macrovision interrupt select | | | 0 | 0 | | | | | Reserved | | |
| | | | | | 0 | 1 | | | | | Pseudo sync only | | |
| | | | | | 1 | 0 | | | | | Color stripe only | | |
| | | | | | 1 | 1 | | | | | Pseudo sync or color stripe | | |
| | | INTRQ_DUR_SEL[1:0]; interrupt duration select | | 0 | 0 | | | | | | Three XTAL periods | | |
| | | | | 0 | 1 | | | | | | 15 XTAL periods | | |
| | 1 | | 0 | | | | | | 63 XTAL periods | | | | |
| | 1 | | 1 | | | | | | Active until cleared | | | | |
| 0x42 | Interrupt Status 1 (read only) | SD_LOCK_Q | | | | | | | 0 | No change | These bits can be cleared or masked in Register 0x43 and Register 0x44, respectively | | |
| | | | | | | | | | 1 | SD input has caused the decoder to go from an unlocked state to a locked state | | | |
| | | SD_UNLOCK_Q | | | | | | | 0 | No change | | | |
| | | | | | | | | | 1 | SD input has caused the decoder to go from a locked state to an unlocked state | | | |
| | | Reserved | | | x | x | x | | | | | | |
| | | SD_FR_CHNG_Q | | 0 | | | | | | No change | | | |
| | | | | 1 | | | | | | Denotes a change in the free-run status | | | |
| | | MV_PS_CS_Q | | 0 | | | | | | No change | | | |
| | 1 | | | | | | | Pseudo sync/color striping detected; see Register 0x40 MV_INTRQ_SEL[1:0] for selection | | | | | |
| 0x43 | Interrupt Clear 1 (write only) | SD_LOCK_CLR | | | | | | | 0 | Do not clear | | | |
| | | | | | | | | | 1 | Clears SD_LOCK_Q bit | | | |
| | | SD_UNLOCK_CLR | | | | | | | 0 | Do not clear | | | |
| | | | | | | | | | 1 | Clears SD_UNLOCK_Q bit | | | |
| | | Reserved | | | 0 | 0 | 0 | | | Not used | | | |
| | | SD_FR_CHNG_CLR | | 0 | | | | | | Do not clear | | | |
| | | | | 1 | | | | | | Clears SD_FR_CHNG_Q bit | | | |
| | | MV_PS_CS_CLR | | 0 | | | | | | Do not clear | | | |
| | 1 | | | | | | | Clears MV_PS_CS_Q bit | | | | | |
| 0x44 | Interrupt Mask 1 (read/write) | SD_LOCK_MSK | | | | | | | 0 | Masks SD_LOCK_Q bit | | | |
| | | | | | | | | | 1 | Unmasks SD_LOCK_Q bit | | | |
| | | SD_UNLOCK_MSK | | | | | | | 0 | Masks SD_UNLOCK_Q bit | | | |
| | | | | | | | | | 1 | Unmasks SD_UNLOCK_Q bit | | | |
| | | Reserved | | | 0 | 0 | 0 | | | Not used | | | |
| | | SD_FR_CHNG_MSK | | 0 | | | | | | Masks SD_FR_CHNG_Q bit | | | |
| | | | | 1 | | | | | | Unmasks SD_FR_CHNG_Q bit | | | |
| | | MV_PS_CS_MSK | | 0 | | | | | | Masks MV_PS_CS_Q bit | | | |
| | 1 | | | | | | | Unmasks MV_PS_CS_Q bit | | | | | |
| Reserved | x | | | | | | | Not used | | | | | |

| User Sub Map | | | Bit (Shading Indicates Default State) | | | | | | | | Comments | Notes | |
|--------------|--------------------------------|---|---------------------------------------|---|---|---|---|---|---|------------------------------|--|--|--|
| Address | Register | Bit Description | 7 | 6 | 5 | 4 | 3 | 2 | 1 | 0 | | | |
| 0x45 | Raw Status 2 (read only) | CCAPD | | | | | | | | 0 | No CCAPD data detected—VBI System 2 | These bits are status bits only; they cannot be cleared or masked; Register 0x46 is used for this purpose | |
| | | Reserved | | | | | x | x | x | 1 | CCAPD data detected—VBI System 2 | | |
| | | EVEN_FIELD | | | | 0 | | | | | | | Current SD field is odd numbered |
| | | Reserved | | | | 1 | | | | | | | Current SD field is even numbered |
| | | Reserved | x | x | | | | | | | | | |
| | | MPU_STIM_INTRQ | 0 | | | | | | | | | | MPU_STIM_INTRQ = 0 |
| | | | 1 | | | | | | | | MPU_STIM_INTRQ = 1 | | |
| 0x46 | Interrupt Status 2 (read only) | CCAPD_Q | | | | | | | | 0 | Closed captioning not detected in the input video signal—VBI System 2 | These bits can be cleared or masked by Register 0x47 and Register 0x48, respectively; note that the interrupt in Register 0x46 for the CCAP, Gemstar, CGMS, and WSS data uses the Mode 1 data slicer | |
| | | Reserved | | | | | | | | 1 | Closed captioning data detected in the video input signal—VBI System 2 | | |
| | | GEMD_Q | | | | | | | | | 0 | | Gemstar data not detected in the input video signal—VBI System 2 |
| | | Reserved | | | | | | | | | 1 | | Gemstar data detected in the input video signal—VBI System 2 |
| | | Reserved | | | | | x | x | | | | | |
| | | SD_FIELD_CHNGD_Q | | | | 0 | | | | | | | SD signal has not changed field from odd to even or vice versa |
| | | Reserved | | | | 1 | | | | | | | SD signal has changed Field from odd to even or vice versa |
| | | Reserved | | | x | | | | | | | | Not used |
| | | Reserved | x | | | | | | | | | | Not used |
| | | MPU_STIM_INTRQ_Q | 0 | | | | | | | | | | Manual interrupt not set |
| | | | 1 | | | | | | | | Manual interrupt set | | |
| 0x47 | Interrupt Clear 2 (write only) | CCAPD_CLR | | | | | | | | 0 | Do not clear—VBI System 2 | Note that interrupt in Register 0x46 for the CCAP, Gemstar, CGMS, and WSS data uses the Mode 1 data slicer | |
| | | Reserved | | | | | | | | 1 | Clears CCAPD_Q bit—VBI System 2 | | |
| | | GEMD_CLR | | | | | | | | | 0 | | Do not clear |
| | | Reserved | | | | | | | | | 1 | | Clears GEMD_Q bit |
| | | Reserved | | | | | 0 | 0 | | | | | |
| | | SD_FIELD_CHNGD_CLR | | | | 0 | | | | | | | Do not clear |
| | | Reserved | | | | 1 | | | | | | | Clears SD_FIELD_CHNGD_Q bit |
| Reserved | x | x | | | | | | | | Not used | | | |
| 0x48 | Interrupt Mask 2 (read/write) | CCAPD_MSK | | | | | | | | 0 | Masks CCAPD_Q bit—VBI System 2 | Note that interrupt in Register 0x46 for the CCAP, Gemstar, CGMS, and WSS data uses the Mode 1 data slicer | |
| | | Reserved | | | | | | | | 1 | Unmasks CCAPD_Q bit—VBI System 2 | | |
| | | GEMD_MSK | | | | | | | | | 0 | | Masks GEMD_Q bit—VBI System 2 |
| | | Reserved | | | | | | 0 | 0 | | | | Unmasks GEMD_Q bit—VBI System 2 |
| | | Reserved | | | | | | | | | 1 | | Not used |
| | | SD_FIELD_CHNGD_MSK | | | | 0 | | | | | | | Masks SD_FIELD_CHNGD_Q bit |
| Reserved | | | | 1 | | | | | | Unmasks SD_FIELD_CHNGD_Q bit | | | |
| Reserved | 0 | 0 | | | | | | | | Not used | | | |
| 0x49 | Raw Status 3 (read only) | SD_OP_50Hz; SD 60 Hz/50 Hz frame rate at output | | | | | | | | 0 | SD 60 Hz signal output | These bits are status bits only; they cannot be cleared or masked; Register 0x4A is used for this purpose | |
| | | Reserved | | | | | | | | 1 | SD 50 Hz signal output | | |
| | | SD_V_LOCK | | | | | | | | | 0 | | SD vertical sync lock not established |
| | | Reserved | | | | | | | | | 1 | | SD vertical sync lock established |
| | | SD_H_LOCK | | | | | | | | | 0 | | SD horizontal sync lock not established |
| | | Reserved | | | | | | | x | | | | SD horizontal sync lock established |
| Reserved | | | | | | | | | x | | Not used | | |
| SCM_LOCK | | | | 0 | | | | | | SECAM lock not established | | | |
| Reserved | | | | 1 | | | | | | SECAM lock established | | | |
| Reserved | x | x | x | | | | | | | Not used | | | |

| User Sub Map | | | Bit (Shading Indicates Default State) | | | | | | | | Comments | Notes | | |
|--------------------|--------------------------------|---|---------------------------------------|---|---|---|---|---|---|-----------------------------|--|---|--|---|
| Address | Register | Bit Description | 7 | 6 | 5 | 4 | 3 | 2 | 1 | 0 | | | | |
| 0x4A | Interrupt Status 3 (read only) | SD_OP_CHNG_Q; SD 60 Hz/50 Hz frame rate at output | | | | | | | | 0 | No change in SD signal standard detected at the output | These bits can be cleared and masked by Register 0x4B and Register 0x4C, respectively | | |
| | | | | | | | | | | 1 | A change in SD signal standard is detected at the output | | | |
| | | SD_V_LOCK_CHNG_Q | | | | | | | | | 0 | | No change in SD VSYNC lock status | |
| | | | | | | | | | | | 1 | | SD VSYNC lock status has changed | |
| | | SD_H_LOCK_CHNG_Q | | | | | | | | | 0 | | No change in HSYNC lock status | |
| | | | | | | | | | | | 1 | | SD HSYNC lock status has changed | |
| | | SD_AD_CHNG_Q; SD autodetect changed | | | | | | | | 0 | | | No change in AD_RESULT[2:0] bits in Status 1 register | |
| | | | | | | | | | | 1 | | | AD_RESULT[2:0] bits in Status 1 register have changed | |
| | | SCM_LOCK_CHNG_Q; SECAM lock | | | | | | | | 0 | | | No change in SECAM lock status | |
| | | | | | | | | | | 1 | | | SECAM lock status has changed | |
| PAL_SW_LK_CHNG_Q | | | | 0 | | | | | | | No change in PAL swinging burst lock status | | | |
| | | | | 1 | | | | | | | PAL swinging burst lock status has changed | | | |
| | Reserved | | x | x | | | | | | | Not used | | | |
| 0x4B | Interrupt Clear 3 (write only) | SD_OP_CHNG_CLR | | | | | | | | 0 | Do not clear | | | |
| | | | | | | | | | | 1 | Clears SD_OP_CHNG_Q bit | | | |
| | | SD_V_LOCK_CHNG_CLR | | | | | | | | | 0 | Do not clear | | |
| | | | | | | | | | | | 1 | Clears SD_V_LOCK_CHNG_Q bit | | |
| | | SD_H_LOCK_CHNG_CLR | | | | | | | | | 0 | Do not clear | | |
| | | | | | | | | | | | 1 | Clears SD_H_LOCK_CHNG_Q bit | | |
| | | SD_AD_CHNG_CLR | | | | | | | | | 0 | Do not clear | | |
| | | | | | | | | | | | 1 | Clears SD_AD_CHNG_Q bit | | |
| | | SCM_LOCK_CHNG_CLR | | | | | | | | | 0 | Do not clear | | |
| | | | | | | | | | | | 1 | Clears SCM_LOCK_CHNG_Q bit | | |
| PAL_SW_LK_CHNG_CLR | | | | | | | | | 0 | Do not clear | | | | |
| | | | | | | | | | 1 | Clears PAL_SW_LK_CHNG_Q bit | | | | |
| | Reserved | | x | x | | | | | | | Not used | | | |
| 0x4C | Interrupt Mask 3 (read/write) | SD_OP_CHNG_MSK | | | | | | | | | 0 | Masks SD_OP_CHNG_Q bit | | |
| | | | | | | | | | | | 1 | Unmasks SD_OP_CHNG_Q bit | | |
| | | SD_V_LOCK_CHNG_MSK | | | | | | | | | | 0 | Masks SD_V_LOCK_CHNG_Q bit | |
| | | | | | | | | | | | | 1 | Unmasks SD_V_LOCK_CHNG_Q bit | |
| | | SD_H_LOCK_CHNG_MSK | | | | | | | | | | 0 | Masks SD_H_LOCK_CHNG_Q bit | |
| | | | | | | | | | | | | 1 | Unmasks SD_H_LOCK_CHNG_Q bit | |
| | | SD_AD_CHNG_MSK | | | | | | | | | | 0 | Masks SD_AD_CHNG_Q bit | |
| | | | | | | | | | | | | 1 | Unmasks SD_AD_CHNG_Q bit | |
| | | SCM_LOCK_CHNG_MSK | | | | | | | | | | 0 | Masks SCM_LOCK_CHNG_Q bit | |
| | | | | | | | | | | | | 1 | Unmasks SCM_LOCK_CHNG_Q bit | |
| PAL_SW_LK_CHNG_MSK | | | | | | | | | | 0 | Masks PAL_SW_LK_CHNG_Q bit | | | |
| | | | | | | | | | | 1 | Unmasks PAL_SW_LK_CHNG_Q bit | | | |
| | Reserved | | x | x | | | | | | | Not used | | | |
| 0x4E | Interrupt Status 4 (read only) | VDP_CCAPD_Q | | | | | | | | | 0 | Closed captioning not detected | These bits can be cleared and masked by Register 0x4F and Register 0x50, respectively; note that an interrupt in Register 0x4E for the CCAP, Gemstar, CGMS, WSS, VPS, PDC, UTC, and VITC data uses the VDP data slicer | |
| | | | | | | | | | | | 1 | Closed captioning detected | | |
| | | Reserved | | | | | | | | | | x | | |
| | | VDP_CGMS_WSS_CHNGD_Q; see 0x9C Bit 4 of user sub map to determine whether interrupt is issued for a change in detected data or for when data is detected regardless of content | | | | | | | | | | 0 | | CGMS/WSS data is not changed/not available |
| | | | | | | | | | | | | 1 | | CGMS/WSS data is changed/available |
| | | Reserved | | | | | | | | | | x | | |
| | | VDP_GS_VPS_PDC_UTC_CHNG_Q; see 0x9C Bit 5 of User Sub Map to determine whether interrupt is issued for a change in detected data or for when data is detected regardless of content | | | | | | | | | | 0 | | Gemstar/PDC/VPS/UTC data is not changed/not available |
| | | | | | | | | | | | | 1 | | Gemstar/PDC/VPS/UTC data is changed/available |
| | | Reserved | | | | | | | | | | x | | |
| | | VDP_VITC_Q | | | | | | | | | | 0 | | VITC data is not available in the VDP |
| | | | | | | | | | | 1 | VITC data is available in the VDP | | | |
| | Reserved | | x | | | | | | | | | | | |

| User Sub Map | | | Bit (Shading Indicates Default State) | | | | | | | | Comments | Notes |
|--------------|-----------------------------------|-----------------------------|---------------------------------------|---|---|---|---|---|---|--|--|---|
| Address | Register | Bit Description | 7 | 6 | 5 | 4 | 3 | 2 | 1 | 0 | | |
| 0x4F | Interrupt Clear 4 (write only) | VDP_CCAPD_CLR | | | | | | | | 0 | Do not clear | Note that an interrupt in Register 0x4E for the CCAP, Gemstar, CGMS, WSS, VPS, PDC, UTC, and VITC data uses the VDP data slicer |
| | | Reserved | | | | | | | | 0 | | |
| | | VDP_CGMS_WSS_CHNGD_CLR | | | | | | | | 0 | Do not clear | |
| | | Reserved | | | | | | | | 1 | Clears VDP_CGMS_WSS_CHNGD_Q | |
| | | VDP_GS_VPS_PDC_UTC_CHNG_CLR | | | | 0 | | | | | Do not clear | |
| | | Reserved | | | | | | | | 1 | Clears VDP_GS_VPS_PDC_UTC_CHNG_Q | |
| | | VDP_VITC_CLR | | 0 | | | | | | | Do not clear | |
| | | Reserved | | | | | | | | 1 | Clears VDP_VITC_Q | |
| 0x50 | Interrupt Mask 4 | VDP_CCAPD_MSK | | | | | | | | 0 | Masks VDP_CCAPD_Q | Note that an interrupt in Register 0x4E for the CCAP, Gemstar, CGMS, WSS, VPS, PDC, UTC, and VITC data uses the VDP data slicer |
| | | Reserved | | | | | | | | 0 | | |
| | | VDP_CGMS_WSS_CHNGD_MSK | | | | | | | | 0 | Masks VDP_CGMS_WSS_CHNGD_Q | |
| | | Reserved | | | | | | | | 1 | Unmasks VDP_CGMS_WSS_CHNGD_Q | |
| | | VDP_GS_VPS_PDC_UTC_CHNG_MSK | | | | 0 | | | | | Masks VDP_GS_VPS_PDC_UTC_CHNG_Q | |
| | | Reserved | | | | | | | | 1 | Unmasks VDP_GS_VPS_PDC_UTC_CHNG_Q | |
| | | VDP_VITC_MSK | | 0 | | | | | | | Masks VDP_VITC_Q | |
| | | Reserved | | | | | | | | 1 | Unmasks VDP_VITC_Q | |
| 0x60 | VDP_Config_1 | VDP_TTXT_TYPE_MAN[1:0] | | | | | | | | 0 0 | PAL: Teletext-ITU-BT.653-625/50-A, NTSC: reserved | |
| | | | | | | | | | | 0 1 | PAL: Teletext-ITU-BT.653-625/50-B (WST), NTSC: Teletext-ITU-BT.653-525/60-B | |
| | | | | | | | | | | 1 0 | PAL: Teletext-ITU-BT.653-625/50-C, NTSC: Teletext-ITU-BT.653-525/60-C, or EIA516 (NABTS) | |
| | | | | | | | | | | 1 1 | PAL: Teletext-ITU-BT.653-625/50-D, NTSC: Teletext-ITU-BT.653-525/60-D | |
| | | VDP_TTXT_TYPE_MAN_ENABLE | | | | | | | | 0 | User programming of teletext type disabled | |
| | | | | | | | | | | 1 | User programming of teletext type enabled | |
| | | WST_PKT_DECODE_DISABLE | | | | | | 0 | | | Enable hamming decoding of WST packets | |
| | | Reserved | | | | | | | | 1 | Disable hamming decoding of WST packets | |
| 0x61 | VDP_Config_2 | Reserved | | | | | x | x | 0 0 | | | |
| | | AUTO_DETECT_GS_TYPE | | | | 0 | | | | Disable autodetection of Gemstar type | | |
| | | Reserved | | | | 1 | | | | Enable autodetection of Gemstar type | | |
| 0x62 | VDP_ADF_Config_1 | ADF_DID[4:0] | | | | 1 | 0 | 1 | 0 1 | User-specified DID sent in the ancillary data stream with VDP decoded data | | |
| | | ADF_MODE[1:0] | | 0 | 0 | | | | | Nibble mode | | |
| | | | | 0 | 1 | | | | | Byte mode, no code restrictions | | |
| | | | | 1 | 0 | | | | | Byte mode with 0x00 and 0xFF prevented | | |
| | | | | 1 | 1 | | | | | Reserved | | |
| | | ADF_ENABLE | 0 | | | | | | | Disable insertion of VBI decoded data into ancillary 656 stream | | |
| 0x63 | VDP_ADF_Config_2 | ADF_SDID[5:0] | | | 1 | 0 | 1 | 0 1 0 | User-specified SDID sent in the ancillary data stream with VDP decoded data | | | |
| | | Reserved | | x | | | | | | | | |
| | | DUPLICATE_ADF | 0 | | | | | | Ancillary data packet is spread across the Y and C data streams | | | |
| | | 1 | | | | | | Ancillary data packet is duplicated on the Y and C data streams | | | | |

| User Sub Map | | | Bit (Shading Indicates Default State) | | | | | | | | Comments | Notes |
|--------------|--------------|-------------------------|---------------------------------------|---|---|---|---|---|---|---|--|--|
| Address | Register | Bit Description | 7 | 6 | 5 | 4 | 3 | 2 | 1 | 0 | | |
| 0x64 | VDP_LINE_00E | VBI_DATA_P318[3:0] | | | | | 0 | 0 | 0 | 0 | Sets VBI standard to be decoded from Line 318 (PAL), NTSC—N/A | |
| | | Reserved | | 0 | 0 | 0 | | | | | | |
| | | MAN_LINE_PGM | 0 | | | | | | | | | |
| | | | 1 | | | | | | | | Manually program the VBI standard to be decoded on each line; see Table 70 | If set to 1, all VBI_DATA_Px_Ny bits can be set as desired |
| 0x65 | VDP_LINE_00F | VBI_DATA_P319_N286[3:0] | | | | | 0 | 0 | 0 | 0 | Sets VBI standard to be decoded from Line 319 (PAL), Line 286 (NTSC) | MAN_LINE_PGM must be set to 1 for these bits to be effective |
| | | VBI_DATA_P6_N23[3:0] | 0 | 0 | 0 | 0 | | | | | Sets VBI standard to be decoded from Line 6 (PAL), Line 23 (NTSC) | |
| 0x66 | VDP_LINE_010 | VBI_DATA_P320_N287[3:0] | | | | | 0 | 0 | 0 | 0 | Sets VBI standard to be decoded from Line 320 (PAL), Line 287 (NTSC) | MAN_LINE_PGM must be set to 1 for these bits to be effective |
| | | VBI_DATA_P7_N24[3:0] | 0 | 0 | 0 | 0 | | | | | Sets VBI standard to be decoded from Line 7 (PAL), Line 24 (NTSC) | |
| 0x67 | VDP_LINE_011 | VBI_DATA_P321_N288[3:0] | | | | | 0 | 0 | 0 | 0 | Sets VBI standard to be decoded from Line 321 (PAL), Line 288 (NTSC) | MAN_LINE_PGM must be set to 1 for these bits to be effective |
| | | VBI_DATA_P8_N25[3:0] | 0 | 0 | 0 | 0 | | | | | Sets VBI standard to be decoded from Line 8 (PAL), Line 25 (NTSC) | |
| 0x68 | VDP_LINE_012 | VBI_DATA_P322[3:0] | | | | | 0 | 0 | 0 | 0 | Sets VBI standard to be decoded from Line 322 (PAL), NTSC—N/A | MAN_LINE_PGM must be set to 1 for these bits to be effective |
| | | VBI_DATA_P9[3:0] | 0 | 0 | 0 | 0 | | | | | Sets VBI standard to be decoded from Line 9 (PAL), NTSC—N/A | |
| 0x69 | VDP_LINE_013 | VBI_DATA_P323[3:0] | | | | | 0 | 0 | 0 | 0 | Sets VBI standard to be decoded from Line 323 (PAL), NTSC—N/A | MAN_LINE_PGM must be set to 1 for these bits to be effective |
| | | VBI_DATA_P10[3:0] | 0 | 0 | 0 | 0 | | | | | Sets VBI standard to be decoded from Line 10 (PAL), NTSC—N/A | |
| 0x6A | VDP_LINE_014 | VBI_DATA_P324_N272[3:0] | | | | | 0 | 0 | 0 | 0 | Sets VBI standard to be decoded from Line 324 (PAL), Line 272 (NTSC) | MAN_LINE_PGM must be set to 1 for these bits to be effective |
| | | VBI_DATA_P11[3:0] | 0 | 0 | 0 | 0 | | | | | Sets VBI standard to be decoded from Line 11 (PAL); NTSC—N/A | |
| 0x6B | VDP_LINE_015 | VBI_DATA_P325_N273[3:0] | | | | | 0 | 0 | 0 | 0 | Sets VBI standard to be decoded from Line 325 (PAL), Line 273 (NTSC) | MAN_LINE_PGM must be set to 1 for these bits to be effective |
| | | VBI_DATA_P12_N10[3:0] | 0 | 0 | 0 | 0 | | | | | Sets VBI standard to be decoded from Line 12 (PAL), Line 10 (NTSC) | |
| 0x6C | VDP_LINE_016 | VBI_DATA_P326_N274[3:0] | | | | | 0 | 0 | 0 | 0 | Sets VBI standard to be decoded from Line 326 (PAL), Line 274 (NTSC) | MAN_LINE_PGM must be set to 1 for these bits to be effective |
| | | VBI_DATA_P13_N11[3:0] | 0 | 0 | 0 | 0 | | | | | Sets VBI standard to be decoded from Line 13 (PAL), Line 11 (NTSC) | |
| 0x6D | VDP_LINE_017 | VBI_DATA_P327_N275[3:0] | | | | | 0 | 0 | 0 | 0 | Sets VBI standard to be decoded from Line 327 (PAL), Line 275 (NTSC) | MAN_LINE_PGM must be set to 1 for these bits to be effective |
| | | VBI_DATA_P14_N12[3:0] | 0 | 0 | 0 | 0 | | | | | Sets VBI standard to be decoded from Line 14 (PAL), Line 12 (NTSC) | |
| 0x6E | VDP_LINE_018 | VBI_DATA_P328_N276[3:0] | | | | | 0 | 0 | 0 | 0 | Sets VBI standard to be decoded from Line 328 (PAL), Line 276 (NTSC) | MAN_LINE_PGM must be set to 1 for these bits to be effective |
| | | VBI_DATA_P15_N13[3:0] | 0 | 0 | 0 | 0 | | | | | Sets VBI standard to be decoded from Line 15 (PAL), Line 13 (NTSC) | |
| 0x6F | VDP_LINE_019 | VBI_DATA_P329_N277[3:0] | | | | | 0 | 0 | 0 | 0 | Sets VBI standard to be decoded from Line 329 (PAL), Line 277 (NTSC) | MAN_LINE_PGM must be set to 1 for these bits to be effective |
| | | VBI_DATA_P16_N14[3:0] | 0 | 0 | 0 | 0 | | | | | Sets VBI standard to be decoded from Line 16 (PAL), Line 14 (NTSC) | |
| 0x70 | VDP_LINE_01A | VBI_DATA_P330_N278[3:0] | | | | | 0 | 0 | 0 | 0 | Sets VBI standard to be decoded from Line 330 (PAL), Line 278 (NTSC) | MAN_LINE_PGM must be set to 1 for these bits to be effective |
| | | VBI_DATA_P17_N15[3:0] | 0 | 0 | 0 | 0 | | | | | Sets VBI standard to be decoded from Line 17 (PAL), Line 15 (NTSC) | |
| 0x71 | VDP_LINE_01B | VBI_DATA_P331_N279[3:0] | | | | | 0 | 0 | 0 | 0 | Sets VBI standard to be decoded from Line 331 (PAL), Line 279 (NTSC) | MAN_LINE_PGM must be set to 1 for these bits to be effective |
| | | VBI_DATA_P18_N16[3:0] | 0 | 0 | 0 | 0 | | | | | Sets VBI standard to be decoded from Line 18 (PAL), Line 16 (NTSC) | |
| 0x72 | VDP_LINE_01C | VBI_DATA_P332_N280[3:0] | | | | | 0 | 0 | 0 | 0 | Sets VBI standard to be decoded from Line 332 (PAL), Line 280 (NTSC) | MAN_LINE_PGM must be set to 1 for these bits to be effective |
| | | VBI_DATA_P19_N17[3:0] | 0 | 0 | 0 | 0 | | | | | Sets VBI standard to be decoded from Line 19 (PAL), Line 17 (NTSC) | |
| 0x73 | VDP_LINE_01D | VBI_DATA_P333_N281[3:0] | | | | | 0 | 0 | 0 | 0 | Sets VBI standard to be decoded from Line 333 (PAL), Line 281 (NTSC) | MAN_LINE_PGM must be set to 1 for these bits to be effective |
| | | VBI_DATA_P20_N18[3:0] | 0 | 0 | 0 | 0 | | | | | Sets VBI standard to be decoded from Line 20 (PAL), Line 18 (NTSC) | |

| User Sub Map | | | Bit (Shading Indicates Default State) | | | | | | | | Comments | Notes | |
|-------------------------------|----------------------------------|----------------------------|---------------------------------------|---|---|---|---|---|---|-----------------------------|--|--|--|
| Address | Register | Bit Description | 7 | 6 | 5 | 4 | 3 | 2 | 1 | 0 | | | |
| 0x74 | VDP_LINE_01E | VBI_DATA_P334_N283[3:0] | | | | | 0 | 0 | 0 | 0 | Sets VBI standard to be decoded from Line 334 (PAL), Line 282 (NTSC) | MAN_LINE_PGM must be set to 1 for these bits to be effective | |
| | | VBI_DATA_P21_N19[3:0] | 0 | 0 | 0 | 0 | | | | | Sets VBI standard to be decoded from Line 21 (PAL), Line 19 (NTSC) | | |
| 0x75 | VDP_LINE_01F | VBI_DATA_P335_N283[3:0] | | | | | 0 | 0 | 0 | 0 | Sets VBI standard to be decoded from Line 335 (PAL), Line 283 (NTSC) | MAN_LINE_PGM must be set to 1 for these bits to be effective | |
| | | VBI_DATA_P22_N20[3:0] | 0 | 0 | 0 | 0 | | | | | Sets VBI standard to be decoded from Line 22 (PAL), Line 20 (NTSC) | | |
| 0x76 | VDP_LINE_020 | VBI_DATA_P336_N284[3:0] | | | | | 0 | 0 | 0 | 0 | Sets VBI standard to be decoded from Line 336 (PAL), Line 284 (NTSC) | MAN_LINE_PGM must be set to 1 for these bits to be effective | |
| | | VBI_DATA_P23_N21[3:0] | 0 | 0 | 0 | 0 | | | | | Sets VBI standard to be decoded from Line 23 (PAL), Line 21 (NTSC) | | |
| 0x77 | VDP_LINE_021 | VBI_DATA_P337_N285[3:0] | | | | | 0 | 0 | 0 | 0 | Sets VBI standard to be decoded from Line 337 (PAL), Line 285 (NTSC) | MAN_LINE_PGM must be set to 1 for these bits to be effective | |
| | | VBI_DATA_P24_N22[3:0] | 0 | 0 | 0 | 0 | | | | | Sets VBI standard to be decoded from Line 24 (PAL), Line 22 (NTSC) | | |
| 0x78 | VDP_STATUS (read only) | CC_AVL | | | | | | | | 0 | Closed captioning not detected | CC_CLEAR resets the CC_AVL bit | |
| | | | | | | | | | | 1 | Closed captioning detected | | |
| | | CC_EVEN_FIELD | | | | | | | | 0 | Closed captioning decoded from odd field | | |
| | | | | | | | | | | 1 | Closed captioning decoded from even field | | |
| | | CGMS_WSS_AVL | | | | | | | 0 | | CGMS/WSS not detected | CGMS_WSS_CLEAR resets the CGMS_WSS_AVL bit | |
| | | | | | | | | | 1 | | CGMS/WSS detected | | |
| | | Reserved | | | | | | 0 | | | | | |
| | | GS_PDC_VPS_UTC_AVL | | | | 0 | | | | | | GS/PDC/VPS/UTC not detected | GS_PDC_VPS_UTC_CLEAR resets the GS_PDC_VPS_UTC_AVL bit |
| | | | | | | 1 | | | | | | GS/PDC/VPS/UTC detected | |
| | | GS_DATA_TYPE | | | 0 | | | | | | | Gemstar_1x detected | |
| | | | | | 1 | | | | | | | Gemstar_2x detected | |
| | | VITC_AVL | | 0 | | | | | | | | VITC not detected | VITC_CLEAR resets the VITC_AVL bit |
| | | | | 1 | | | | | | | | VITC detected | |
| | | TTXT_AVL | | 0 | | | | | | | | Teletext not detected | |
| | | 1 | | | | | | | | Teletext detected | | | |
| VDP_STATUS_CLEAR (write only) | VDP_STATUS_CLEAR (write only) | CC_CLEAR | | | | | | | | 0 | Does not reinitialize the CCAP readback registers | This is a self-clearing bit | |
| | | | | | | | | | | 1 | Reinitializes the CCAP readback registers | | |
| | | Reserved | | | | | | | | 0 | | | |
| | | CGMS_WSS_CLEAR | | | | | | | 0 | | Does not reinitialize the CGMS/WSS readback registers | This is a self-clearing bit | |
| | | | | | | | | | 1 | | Reinitializes the CGMS/WSS readback registers | | |
| | | Reserved | | | | | | 0 | | | | | |
| | | GS_PDC_VPS_UTC_CLEAR | | | | 0 | | | | | Does not reinitialize the GS/PDC/VPS/UTC readback registers | This is a self-clearing bit | |
| | | | | | | 1 | | | | | Refreshes the GS/PDC/VPS/UTC readback registers | | |
| Reserved | | | 0 | | | | | | | | | | |
| VITC_CLEAR | | 0 | | | | | | | Does not reinitialize the VITC readback registers | This is a self-clearing bit | | | |
| | | 1 | | | | | | | Reinitializes the VITC readback registers | | | | |
| Reserved | | 0 | | | | | | | | | | | |
| 0x79 | VDP_CCAP_DATA_0 (read only) | CCAP_BYTE_1[7:0] | x | x | x | x | x | x | x | x | Decoded Byte 1 of CCAP | | |
| 0x7A | VDP_CCAP_DATA_1 (read only) | CCAP_BYTE_2[7:0] | x | x | x | x | x | x | x | x | Decoded Byte 2 of CCAP | | |
| 0x7D | VDP_CGMS_WSS_DATA_0 (read only) | CGMS_CRC[5:2] | | | | | x | x | x | x | Decoded CRC sequence for CGMS | | |
| | | Reserved | 0 | 0 | 0 | 0 | | | | | | | |
| 0x7E | VDP_CGMS_WSS_DATA_1 (read only) | CGMS_WSS[13:8] | | | x | x | x | x | x | x | Decoded CGMS/WSS data | | |
| | | CGMS_CRC[1:0] | x | x | | | | | | | Decoded CRC sequence for CGMS | | |
| 0x7F | VDP_CGMS_WSS_DATA_2 (read only) | CGMS_WSS[7:0] | x | x | x | x | x | x | x | x | Decoded CGMS/WSS data | | |
| 0x84 | VDP_GS_VPS_PDC_UTC_0 (read only) | GS_VPS_PDC_UTC_BYTE_0[7:0] | x | x | x | x | x | x | x | x | Decoded Gemstar/VPS/PDC/UTC data | | |
| 0x85 | VDP_GS_VPS_PDC_UTC_1 (read only) | GS_VPS_PDC_UTC_BYTE_1[7:0] | x | x | x | x | x | x | x | x | Decoded Gemstar/VPS/PDC/UTC data | | |

| User Sub Map | | | Bit (Shading Indicates Default State) | | | | | | | | Comments | Notes |
|--------------|-------------------------------------|----------------------------|---------------------------------------|---|---|---|---|-----|---|---|---|--|
| Address | Register | Bit Description | 7 | 6 | 5 | 4 | 3 | 2 | 1 | 0 | | |
| 0x86 | VDP_GS_VPS_PDC_UTC_2 (read only) | GS_VPS_PDC_UTC_BYTE_2[7:0] | x | x | x | x | x | x | x | x | Decoded Gemstar/VPS/PDC/UTC data | |
| 0x87 | VDP_GS_VPS_PDC_UTC_3 (read only) | GS_VPS_PDC_UTC_BYTE_3[7:0] | x | x | x | x | x | x | x | x | Decoded Gemstar/VPS/PDC/UTC data | |
| 0x88 | VDP_VPS_PDC_UTC_4 (read only) | VPS_PDC_UTC_BYTE_4[7:0] | x | x | x | x | x | x | x | x | Decoded VPS/PDC/UTC data | |
| 0x89 | VDP_VPS_PDC_UTC_5 (read only) | VPS_PDC_UTC_BYTE_5[7:0] | x | x | x | x | x | x | x | x | Decoded VPS/PDC/UTC data | |
| 0x8A | VDP_VPS_PDC_UTC_6 (read only) | VPS_PDC_UTC_BYTE_6[7:0] | x | x | x | x | x | x | x | x | Decoded VPS/PDC/UTC data | |
| 0x8B | VDP_VPS_PDC_UTC_7 (read only) | VPS_PDC_UTC_BYTE_7[7:0] | x | x | x | x | x | x | x | x | Decoded VPS/PDC/UTC data | |
| 0x8C | VDP_VPS_PDC_UTC_8 (read only) | VPS_PDC_UTC_BYTE_8[7:0] | x | x | x | x | x | x | x | x | Decoded VPS/PDC/UTC data | |
| 0x8D | VDP_VPS_PDC_UTC_9 (read only) | VPS_PDC_UTC_BYTE_9[7:0] | x | x | x | x | x | x | x | x | Decoded VPS/PDC/UTC data | |
| 0x8E | VDP_VPS_PDC_UTC_10 (read only) | VPS_PDC_UTC_BYTE_10[7:0] | x | x | x | x | x | x | x | x | Decoded VPS/PDC/UTC data | |
| 0x8F | VDP_VPS_PDC_UTC_11 (read only) | VPS_PDC_UTC_BYTE_11[7:0] | x | x | x | x | x | x | x | x | Decoded VPS/PDC/UTC data | |
| 0x90 | VDP_VPS_PDC_UTC_12 (read only) | VPS_PDC_UTC_BYTE_12[7:0] | x | x | x | x | x | x | x | x | Decoded VPS/PDC/UTC data | |
| 0x92 | VDP_VITC_DATA_0 (read only) | VITC_DATA_0[7:0] | x | x | x | x | x | x | x | x | Decoded VITC data | |
| 0x93 | VDP_VITC_DATA_1 (read only) | VITC_DATA_1[7:0] | x | x | x | x | x | x | x | x | Decoded VITC data | |
| 0x94 | VDP_VITC_DATA_2 (read only) | VITC_DATA_2[7:0] | x | x | x | x | x | x | x | x | Decoded VITC data | |
| 0x95 | VDP_VITC_DATA_3 (read only) | VITC_DATA_3[7:0] | x | x | x | x | x | x | x | x | Decoded VITC data | |
| 0x96 | VDP_VITC_DATA_4 (read only) | VITC_DATA_4[7:0] | x | x | x | x | x | x | x | x | Decoded VITC data | |
| 0x97 | VDP_VITC_DATA_5 (read only) | VITC_DATA_5[7:0] | x | x | x | x | x | x | x | x | Decoded VITC data | |
| 0x98 | VDP_VITC_DATA_6 (read only) | VITC_DATA_6[7:0] | x | x | x | x | x | x | x | x | Decoded VITC data | |
| 0x99 | VDP_VITC_DATA_7 (read only) | VITC_DATA_7[7:0] | x | x | x | x | x | x | x | x | Decoded VITC data | |
| 0x9A | VDP_VITC_DATA_8 (read only) | VITC_DATA_8[7:0] | x | x | x | x | x | x | x | x | Decoded VITC data | |
| 0x9B | VDP_VITC_CALC_CRC (read only) | VITC_CRC[7:0] | x | x | x | x | x | x | x | x | Decoded VITC CRC data | |
| 0x9C | VDP_OUTPUT_SEL | Reserved | | | | | 0 | 0 | 0 | 0 | | |
| | | WSS_CGMS_CB_CHANGE | | | | 0 | | | | | Disable content-based updating of CGMS and WSS data | The available bit shows the availability of data only when its content has changed |
| | | | | | 1 | | | | | Enable content-based updating of CGMS and WSS data | | |
| | | GS_VPS_PDC_UTC_CB_CHANGE | | | 0 | | | | | Disable content-based updating of Gemstar, VPS, PDC, and UTC data | | |
| | | | | | 1 | | | | | Enable content-based updating of Gemstar, VPS, PDC, and UTC data | | |
| | | IC_GS_VPS_PDC_UTC[1:0] | 0 | 0 | | | | | | Gemstar_1x/Gemstar_2x | Standard expected to be decoded | |
| | | | 0 | 1 | | | | | | VPS | | |
| | 1 | 0 | | | | | | PDC | | | | |
| | 1 | 1 | | | | | | UTC | | | | |

¹ x indicates a bit that keeps the last written value.

² Shading indicates default values.

I²C PROGRAMMING EXAMPLES

64-LEAD LQFP

Mode 1 CVBS Input (Composite Video on A_{IN2})

All standards are supported through autodetect, 8-bit, 4:2:2 ITU-R BT.656 output on P15 to P8 for the 64-lead LQFP.

Table 109. Mode 1 CVBS Input

| Register Address (Hex) | Register Value (Hex) | Notes |
|------------------------|----------------------|--|
| 00 | 01 | INSEL = CVBS in on A _{IN2} |
| 04 | 57 | Enable SFL |
| 17 | 41 | Select SH1 |
| 31 | 02 | Clear NEWAV_MODE, SAV/EAV to suit ADV video encoders |
| 3D | A2 | MWE enable manual window, color kill threshold to 2 |
| 3E | 6A | BLM optimization |
| 3F | A0 | BGB optimization |
| 0E | 80 | Hidden space |
| 55 | 81 | ADC configuration |
| 0E | 00 | User space |

Mode 2 S-Video Input (Y on A_{IN3} and C on A_{IN6})

All standards are supported through autodetect, 8-bit, ITU-R BT.656 output on P15 to P8 for the 64-lead LQFP.

Table 110. Mode 2 S-Video Input

| Register Address (Hex) | Register Value (Hex) | Notes |
|------------------------|----------------------|---|
| 00 | 08 | INSEL = Y/C, Y = A _{IN3} , C = A _{IN6} |
| 04 | 57 | Enable SFL |
| 31 | 02 | Clear NEWAVMODE, SAV/EAV to suit ADV video encoders |
| 3D | A2 | MWE enable manual window, color kill threshold to 2 |
| 3E | 6A | BLM optimization |
| 3F | A0 | BGB optimization |
| 58 | 04 | Mandatory write; this must be performed for correct operation |
| 0E | 80 | Hidden space |
| 55 | 81 | ADC configuration |
| 0E | 00 | User space |

Mode 3 525i/625i YPrPb Input (Y on A_{IN1}, Pr on A_{IN4}, and Pb on A_{IN5})

All standards are supported through autodetect, 8-bit, ITU-R BT.656 output on P15 to P8 for the 64-lead LQFP.

Table 111. Mode 3 YPrPb Input

| Register Address (Hex) | Register Value (Hex) | Notes |
|------------------------|----------------------|---|
| 00 | 09 | INSEL = YPrPb, Y = A _{IN1} , Pr = A _{IN4} , Pb = A _{IN5} |
| 31 | 02 | Clear NEWAV_MODE, SAV/EAV to suit ADV video encoders |
| 3D | A2 | MWE enable manual window |
| 3E | 6A | BLM optimization |
| 3F | A0 | ADI recommended |
| 0E | 80 | Hidden space |
| 55 | 81 | ADC configuration |
| 0E | 00 | User space |

48-LEAD LQFP**Mode 1 CVBS Input (Composite Video on A_{IN2})**

All standards are supported through autodetect, 8-bit, 4:2:2 ITU-R BT.656 output on P0 to P7 for the 32-lead LQFP.

Table 112. Mode 1 CVBS Input

| Register Address (Hex) | Register Value (Hex) | Notes |
|------------------------|----------------------|--|
| 00 | 01 | INSEL = CVBS in on A _{IN2} |
| 04 | 57 | Enable SFL |
| 17 | 41 | Select SH1 |
| 31 | 02 | Clear NEWAV_MODE, SAV/EAV to suit ADV video encoders |
| 3D | A2 | MWE enable manual window, color kill threshold to 2 |
| 3E | 6A | BLM optimization |
| 3F | A0 | BGB optimization |
| 0E | 80 | Hidden space |
| 55 | 81 | ADC configuration |
| 0E | 00 | User space |

Mode 2 S-Video Input (Y on A_{IN3} and C on A_{IN6})

All standards are supported through autodetect, 8-bit, ITU-R BT.656 output on P0 to P7 for the 32-lead LQFP.

Table 113. Mode 2 S-Video Input

| Register Address (Hex) | Register Value (Hex) | Notes |
|------------------------|----------------------|---|
| 00 | 08 | INSEL = Y/C, Y = A _{IN3} , C = A _{IN6} |
| 04 | 57 | Enable SFL |
| 31 | 02 | Clear NEWAVMODE, SAV/EAV to suit ADV video encoders |
| 3D | A2 | MWE enable manual window, color kill threshold to 2 |
| 3E | 6A | BLM optimization |
| 3F | A0 | BGB optimization |
| 58 | 04 | Mandatory write; this must be performed for correct operation |
| 0E | 80 | Hidden space |
| 55 | 81 | ADC configuration |
| 0E | 00 | User space |

Mode 3 525i/625i YPrPb Input (Y on A_{IN1}, Pr on A_{IN4}, and Pb on A_{IN5})

All standards are supported through autodetect, 8-bit, ITU-R BT.656 output on P0 to P7 for the 32-lead LQFP.

Table 114. Mode 3 YPrPb Input

| Register Address (Hex) | Register Value (Hex) | Notes |
|------------------------|----------------------|---|
| 00 | 09 | INSEL = YPrPb, Y = A _{IN1} , Pr = A _{IN4} , Pb = A _{IN5} |
| 31 | 02 | Clear NEWAV_MODE, SAV/EAV to suit ADV video encoders |
| 3D | A2 | MWE enable manual window |
| 3E | 6A | BLM optimization |
| 3F | A0 | ADI recommended |
| 54 | 4E | ADI recommended |
| 0E | 80 | Hidden space |
| 55 | 81 | ADC configuration |
| 0E | 00 | User space |

40-LEAD LFCSP**Mode 1 CVBS Input (Composite Video on A_{IN1})**

All standards are supported through autodetect, 8-bit, 4:2:2, ITU-R BT.656 output on P0 to P7.

Table 115. Mode 1 CVBS Input

| Register Address (Hex) | Register Value (Hex) | Notes |
|------------------------|----------------------|---|
| 00 | 00 | INSEL = CVBS in on A _{IN1} |
| 04 | 57 | Enable SFL |
| 17 | 41 | Select SH1 |
| 31 | 02 | Clear NEWAVMODE, SAV/EAV to suit ADV video encoders |
| 3D | A2 | MWE enable manual window, color kill threshold to 2 |
| 3E | 6A | BLM optimization |
| 3F | A0 | BGB optimization |
| 0E | 80 | Hidden space |
| 55 | 81 | ADC configuration |
| 0E | 00 | User space |

Mode 2 S-Video Input (Y on A_{IN1} and C on A_{IN2})

All standards are supported through autodetect, 8-bit, ITU-R BT.656 output on P0 to P7.

Table 116. Mode 2 S-Video Input

| Register Address (Hex) | Register Value (Hex) | Notes |
|------------------------|----------------------|---|
| 00 | 06 | INSEL = Y/C, Y = A _{IN1} , C = A _{IN2} |
| 04 | 57 | Enable SFL |
| 31 | 02 | Clear NEWAVMODE, SAV/EAV to suit ADV video encoders |
| 3D | A2 | MWE enable manual window, color kill threshold to 2 |
| 3E | 6A | BLM optimization |
| 3F | A0 | BGB optimization |
| 58 | 04 | Mandatory write; this must be performed for correct operation |
| 0E | 80 | Hidden space |
| 55 | 81 | ADC configuration |
| 0E | 00 | User space |

Mode 3 525i/625i YPrPb Input (Y on A_{IN1}, Pb on A_{IN2}, and Pr on A_{IN3})

All standards are supported through autodetect, 8-bit, ITU-R BT.656 output on P0 to P7.

Table 117. Mode 3 YPrPb Input

| Register Address (Hex) | Register Value (Hex) | Notes |
|------------------------|----------------------|---|
| 00 | 09 | INSEL = YPrPb, Y = A _{IN1} , Pb = A _{IN2} , Pr = A _{IN3} |
| 31 | 02 | Clear NEWAVMODE, SAV/EAV to suit ADV video encoders |
| 3D | A2 | MWE enable manual window |
| 3E | 6A | BLM optimization |
| 3F | A0 | ADI recommended |
| 0E | 80 | Hidden space |
| 55 | 81 | ADC configuration |
| 0E | 00 | User space |

32-LEAD LFCSP**Mode 1 CVBS Input (Composite Video on A_{IN1})**

All standards are supported through autodetect, 8-bit, 4:2:2, ITU-R BT.656 output on P0 to P7.

Table 118. Mode 1 CVBS Input

| Register Address (Hex) | Register Value (Hex) | Notes |
|------------------------|----------------------|---|
| 00 | 00 | INSEL = CVBS in on A _{IN1} |
| 04 | 57 | Enable SFL |
| 17 | 41 | Select SH1 |
| 31 | 02 | Clear NEWAVMODE, SAV/EAV to suit ADV video encoders |
| 3D | A2 | MWE enable manual window, color kill threshold to 2 |
| 3E | 6A | BLM optimization |
| 3F | A0 | BGB optimization |
| 0E | 80 | Hidden space |
| 55 | 81 | ADC configuration |
| 0E | 00 | User space |

Mode 2 S-Video Input (Y on A_{IN1} and C on A_{IN2})

All standards are supported through autodetect, 8-bit, ITU-R BT.656 output on P0 to P7.

Table 119. Mode 2 S-Video Input

| Register Address (Hex) | Register Value (Hex) | Notes |
|------------------------|----------------------|---|
| 00 | 06 | INSEL = Y/C, Y = A _{IN1} , C = A _{IN2} |
| 04 | 57 | Enable SFL |
| 31 | 02 | Clear NEWAVMODE, SAV/EAV to suit ADV video encoders |
| 3D | A2 | MWE enable manual window, color kill threshold to 2 |
| 3E | 6A | BLM optimization |
| 3F | A0 | BGB optimization |
| 58 | 04 | Mandatory write; this must be performed for correct operation |
| 0E | 80 | Hidden space |
| 55 | 81 | ADC configuration |
| 0E | 00 | User space |

Mode 3 525i/625i YPrPb Input (Y on A_{IN1}, Pb on A_{IN2}, and Pr on A_{IN3})

All standards are supported through autodetect, 8-bit, ITU-R BT.656 output on P0 to P7.

Table 120. Mode 3 YPrPb Input

| Register Address (Hex) | Register Value (Hex) | Notes |
|------------------------|----------------------|---|
| 00 | 09 | INSEL = YPrPb, Y = A _{IN1} , Pb = A _{IN2} , Pr = A _{IN3} |
| 31 | 02 | Clear NEWAVMODE, SAV/EAV to suit ADV video encoders |
| 3D | A2 | MWE enable manual window |
| 3E | 6A | BLM optimization |
| 3F | A0 | ADI recommended |
| 54 | 4E | ADI recommended |
| 0E | 80 | Hidden space |
| 55 | 81 | ADC configuration |
| 0E | 00 | User space |

PCB LAYOUT RECOMMENDATIONS

The ADV7180 is a high precision, high speed, mixed-signal device. To achieve the maximum performance from the part, it is important to have a well laid out PCB. The following is a guide for designing a board using the ADV7180.

ANALOG INTERFACE INPUTS

Care should be taken when routing the inputs on the PCB. Track lengths should be kept to a minimum, and $75\ \Omega$ trace impedances should be used when possible. In addition, trace impedances other than $75\ \Omega$ increase the chance of reflections.

POWER SUPPLY DECOUPLING

It is recommended to decouple each power supply pin with $0.1\ \mu\text{F}$ and $10\ \text{nF}$ capacitors. The fundamental idea is to have a decoupling capacitor within about $0.5\ \text{cm}$ of each power pin. In addition, avoid placing the capacitor on the opposite side of the PCB from the ADV7180 because doing so interposes inductive vias in the path. The decoupling capacitors should be located between the power plane and the power pin. Current should flow from the power plane to the capacitor and then to the power pin. Do not apply the power connection between the capacitor and the power pin. Placing a via underneath the $100\ \text{nF}$ capacitor pads, down to the power plane, is the best approach (see Figure 54).

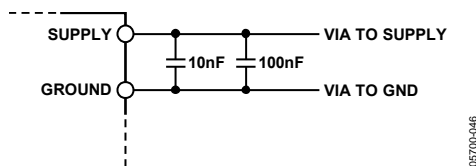


Figure 54. Recommended Power Supply Decoupling

It is particularly important to maintain low noise and good stability of P_{VDD} . Careful attention must be paid to regulation, filtering, and decoupling. It is highly desirable to provide separate regulated supplies for each of the analog circuitry groups (A_{VDD} , D_{VDD} , D_{VDDIO} , and P_{VDD}).

Some graphic controllers use substantially different levels of power when active (during active picture time) and when idle (during horizontal and vertical sync periods). This can result in a measurable change in the voltage supplied to the analog supply regulator, which can in turn produce changes in the regulated analog supply voltage. This can be mitigated by regulating the analog supply, or at least P_{VDD} , from a different, cleaner power source, for example, from a $12\ \text{V}$ supply.

Using a single ground plane for the entire board is also recommended.

Experience has repeatedly shown that the noise performance is the same or better with a single ground plane. Using multiple ground planes can be detrimental because each separate ground plane is smaller, and long ground loops can result.

PLL

Place the PLL loop filter components as close as possible to the ELPF pin. It should also be placed on the same side of the PCB as the ADV7180. Do not place any digital or other high frequency traces near these components. Use the values suggested in this data sheet with tolerances of 10% or less.

VREFN AND VREFP

The circuit associated with these pins should be placed as close as possible and on the same side of the PCB as the ADV7180.

DIGITAL OUTPUTS (BOTH DATA AND CLOCKS)

Try to minimize the trace length that the digital outputs have to drive. Longer traces have higher capacitance, requiring more current and, in turn, causing more internal digital noise. Shorter traces reduce the possibility of reflections.

Adding a $30\ \Omega$ to $50\ \Omega$ series resistor can suppress reflections, reduce EMI, and reduce the current spikes inside the ADV7180. If series resistors are used, place them as close as possible to the ADV7180 pins. However, try not to add vias or extra length to the output trace to place the resistors closer.

If possible, limit the capacitance that each of the digital outputs drives to less than $15\ \text{pF}$. This can easily be accomplished by keeping traces short and by connecting the outputs to only one device. Loading the outputs with excessive capacitance increases the current transients inside the ADV7180, creating more digital noise on its power supplies.

The 40-lead and 32-lead LFCSP have an exposed metal paddle on the bottom of the package. This paddle must be soldered to PCB ground for proper heat dissipation and for noise and mechanical strength benefits.

DIGITAL INPUTS

The digital inputs on the ADV7180 are designed to work with $1.8\ \text{V}$ to $3.3\ \text{V}$ signals and are not tolerant of $5\ \text{V}$ signals. Extra components are needed if $5\ \text{V}$ logic signals are required to be applied to the decoder.

TYPICAL CIRCUIT CONNECTION

Examples of how to connect the 40-lead LFCSP, 64-lead LQFP, 48-lead LQFP, and 32-lead LFCSP video decoders are shown in Figure 55, Figure 56, Figure 57, and Figure 58. For a detailed schematic of the ADV7180 evaluation boards, contact a local Analog Devices field applications engineer or Analog Devices distributor.

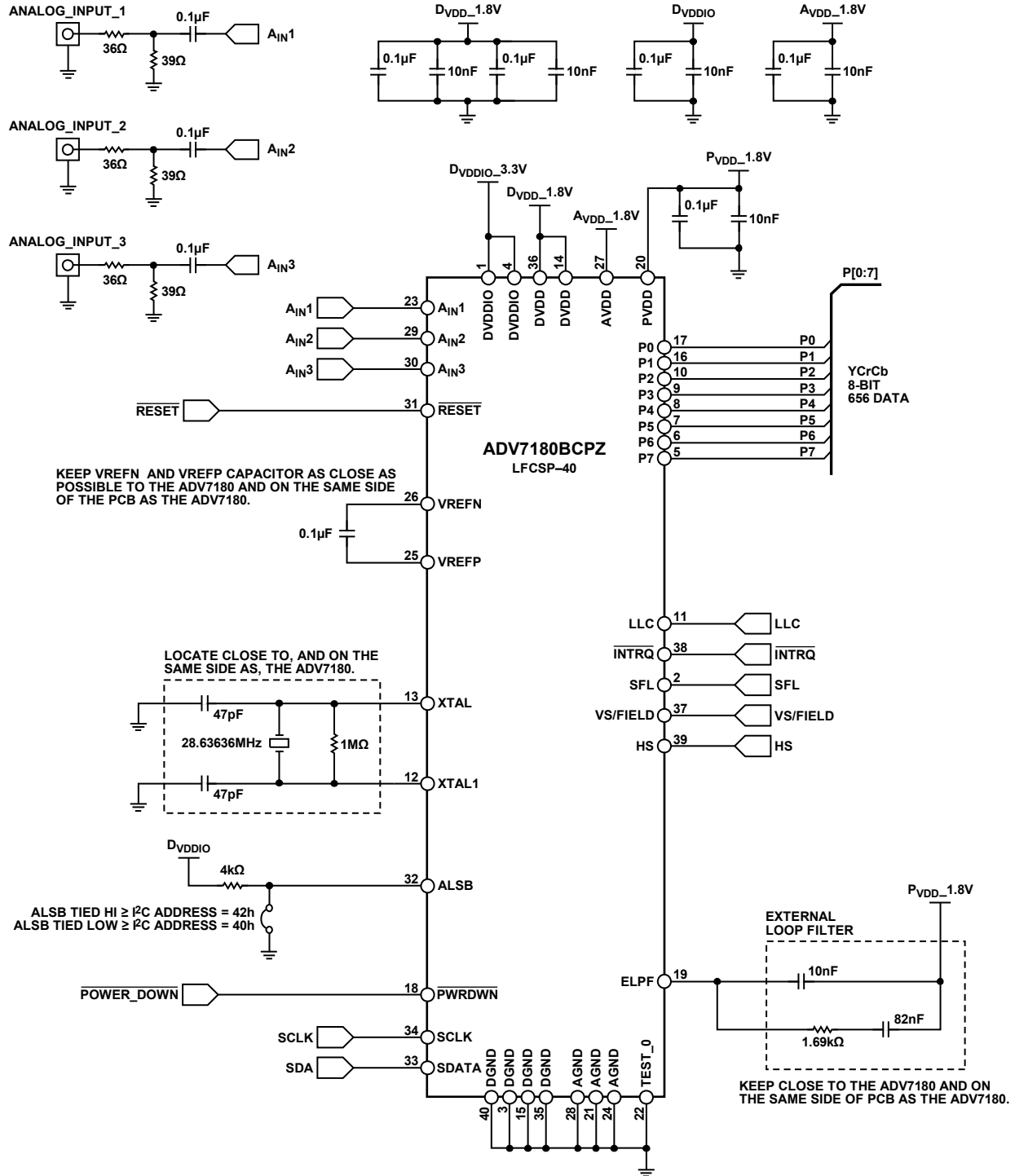


Figure 55. 40-Lead LFCSP Typical Connection Diagram

05700-048

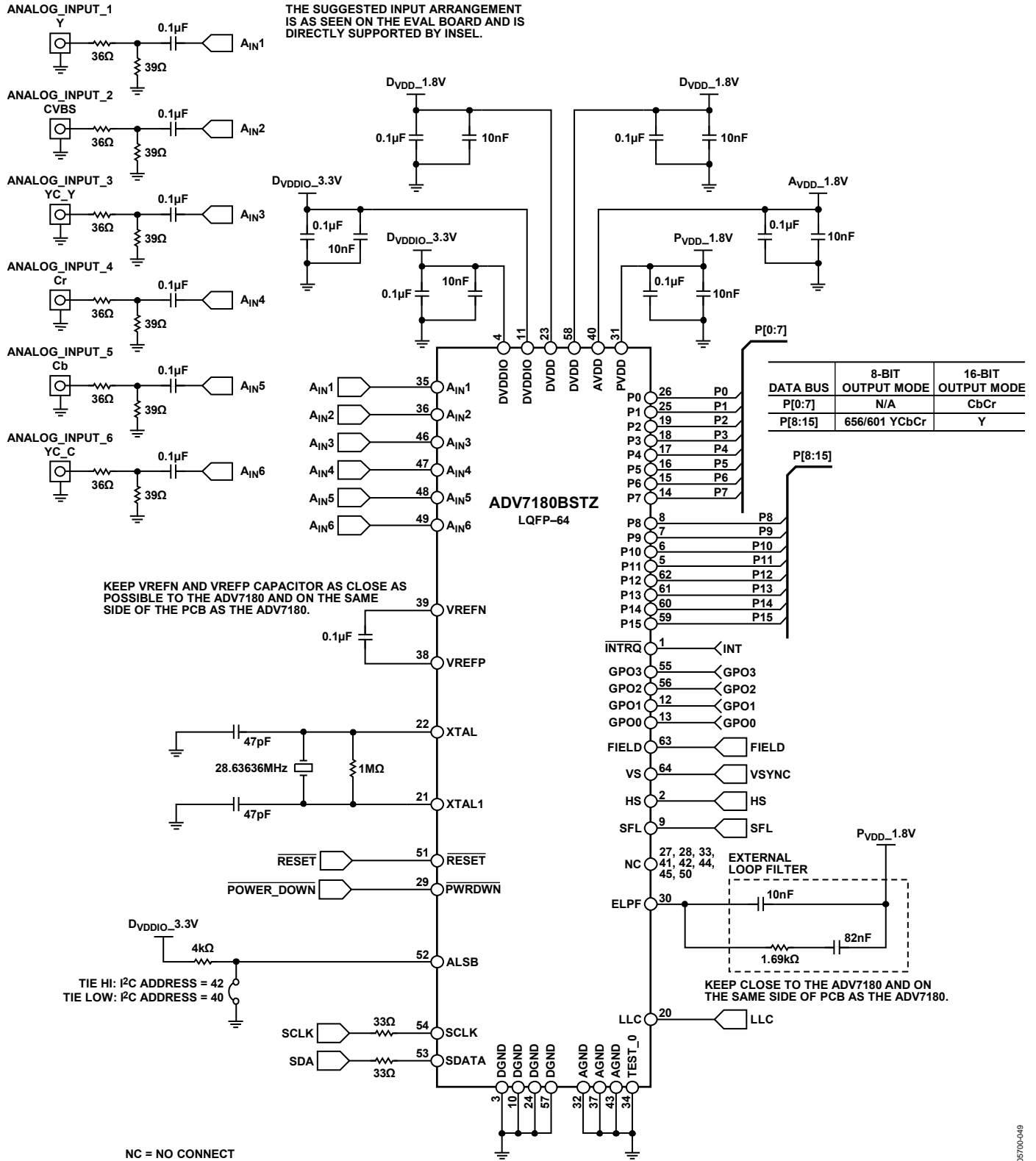


Figure 56. 64-Lead LQFP Typical Connection Diagram

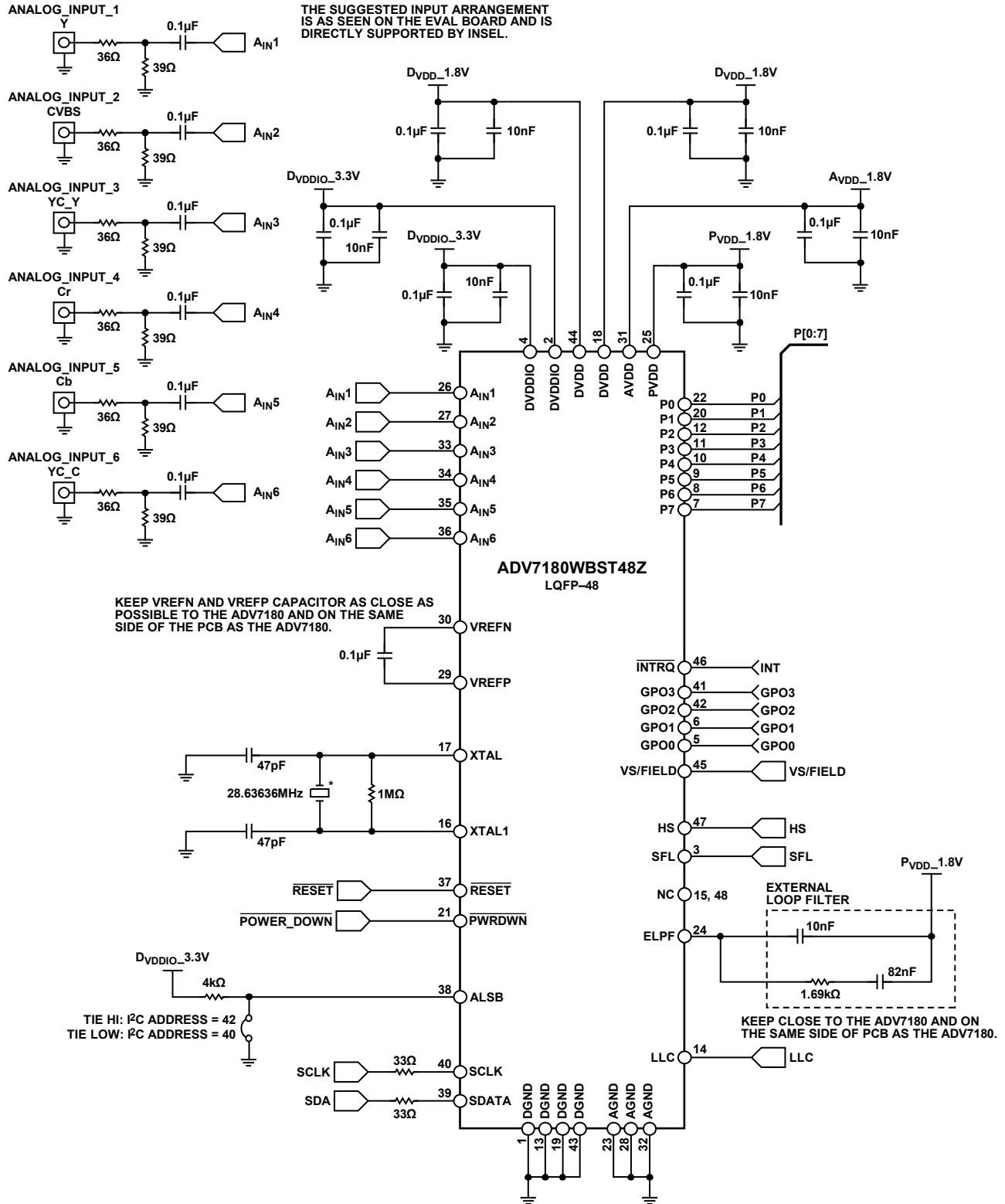


Figure 57. 48-Lead LQFP Typical Connection Diagram

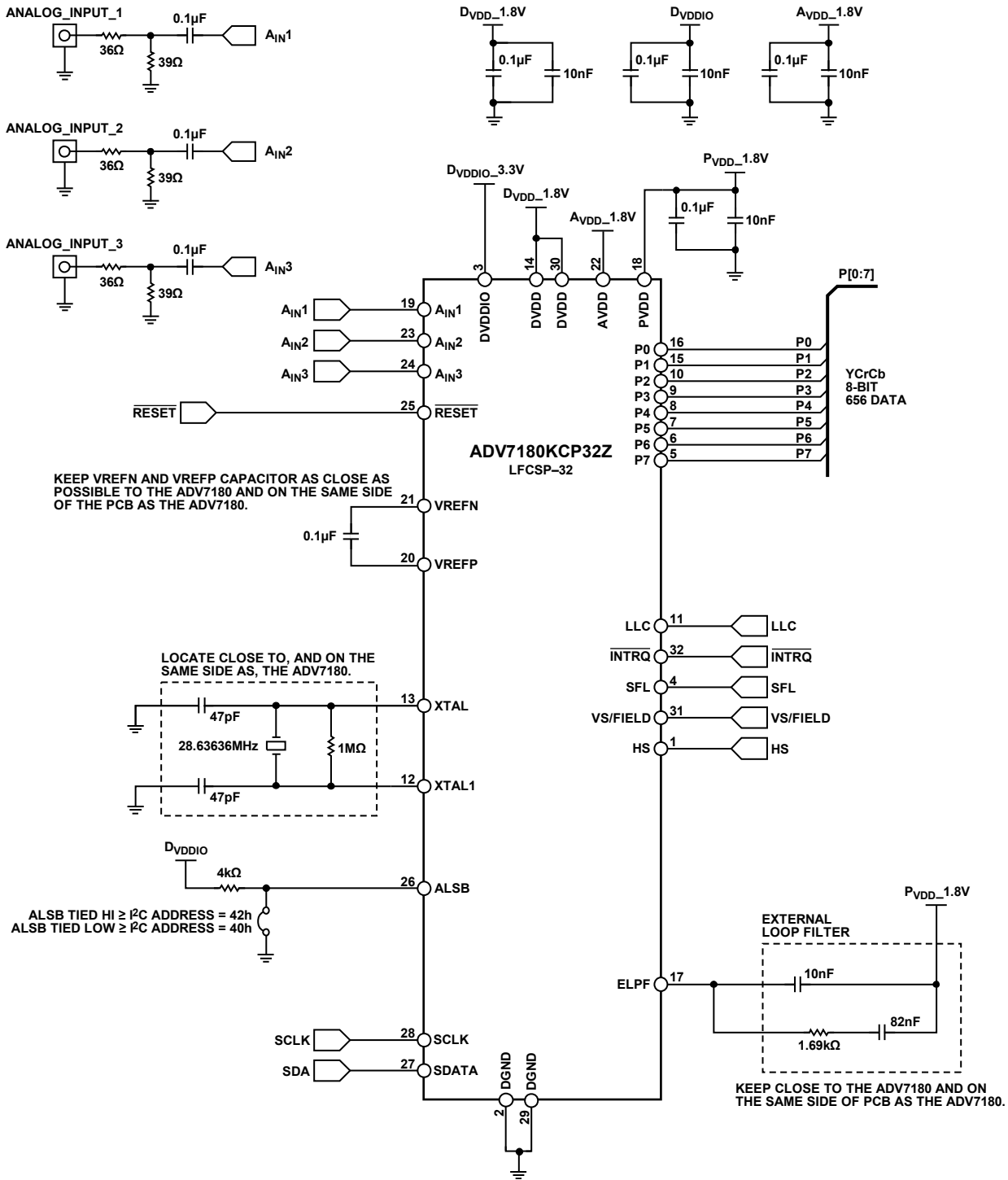
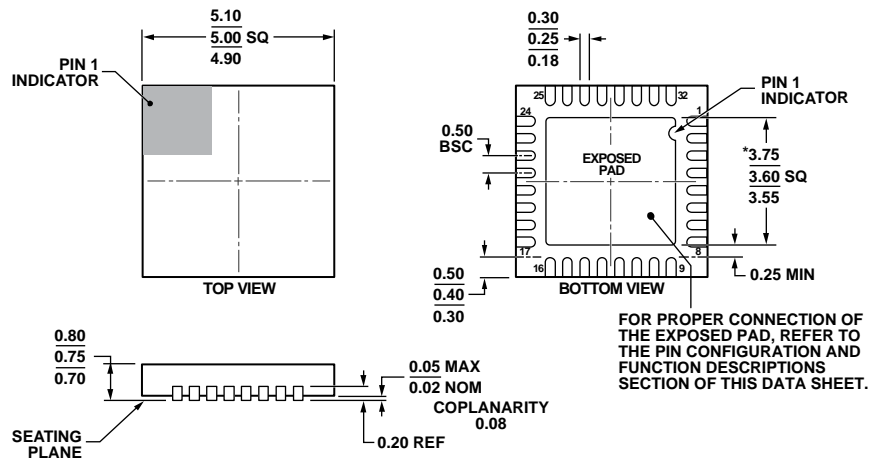


Figure 58. 32-Lead LFCSP Typical Connection Diagram

05700-956

OUTLINE DIMENSIONS

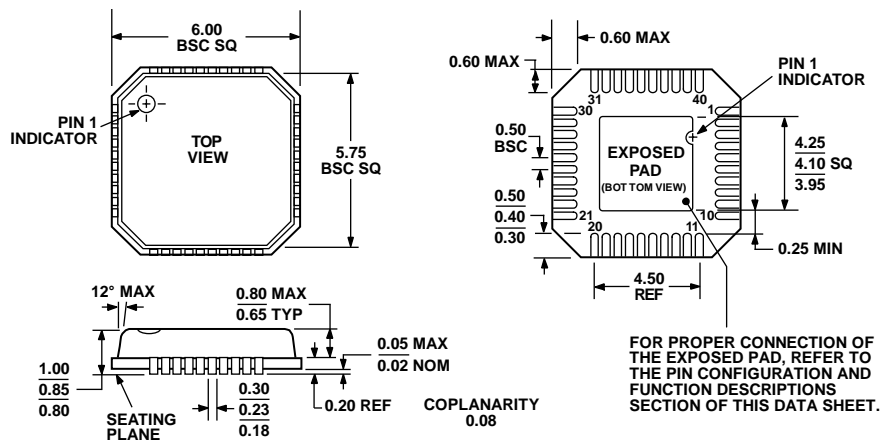


*COMPLIANT TO JEDEC STANDARDS MO-220-WHHD-5 WITH EXCEPTION TO EXPOSED PAD DIMENSION.

Figure 59. 32-Lead Lead Frame Chip Scale Package [LFCSP_WQ]
5 mm x 5 mm Body, Very Very Thin Quad
(CP-32-12)

Dimensions shown in millimeters

09-16-2010-B

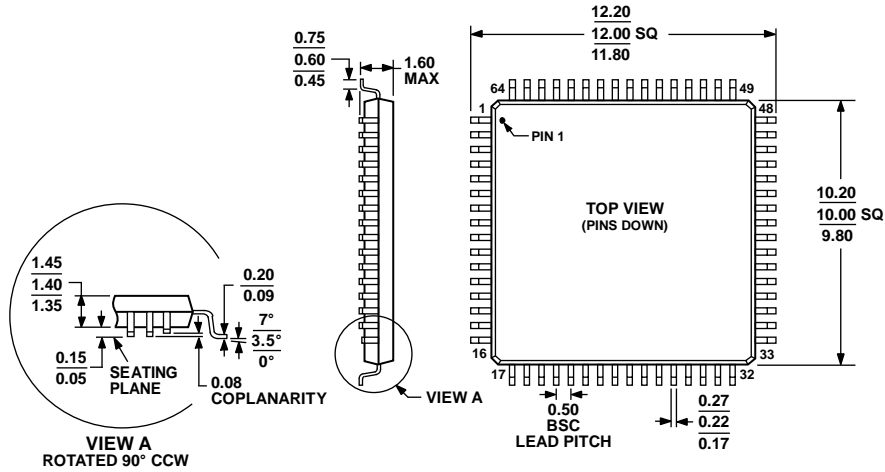


COMPLIANT TO JEDEC STANDARDS MO-220-VJJD-2

Figure 60. 40-Lead Lead Frame Chip Scale Package [LFCSP_VQ]
6 mm x 6 mm Body, Very Thin Quad
(CP-40-1)

Dimensions shown in millimeters

072108-A

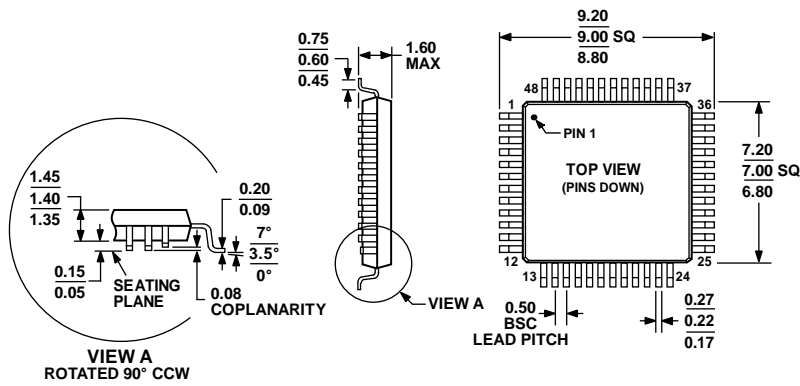


COMPLIANT TO JEDEC STANDARDS MS-026-BCD

Figure 61. 64-Lead Low Profile Quad Flat Package [LQFP]
10 mm × 10 mm Body
(ST-64-2)

Dimensions shown in millimeters

051706-A



COMPLIANT TO JEDEC STANDARDS MS-026-BBC

Figure 62. 48-Lead Low Profile Quad Flat Package [LQFP]
7 mm × 7 mm Body
(ST-48)

Dimensions shown in millimeters

051706-A

ORDERING GUIDE

| Model ^{1, 2} | Temperature Range | Package Description | Package Option |
|-----------------------|-------------------|--|----------------|
| ADV7180KCP32Z | -10°C to +70°C | 32-Lead Lead Frame Chip Scale Package [LFCSP_WQ] | CP-32-12 |
| ADV7180KCP32Z-RL | -10°C to +70°C | 32-Lead Lead Frame Chip Scale Package [LFCSP_WQ] | CP-32-12 |
| ADV7180BCPZ | -40°C to +85°C | 40-Lead Lead Frame Chip Scale Package [LFCSP_VQ] | CP-40-1 |
| ADV7180BCPZ-REEL | -40°C to +85°C | 40-Lead Lead Frame Chip Scale Package [LFCSP_VQ] | CP-40-1 |
| ADV7180BSTZ | -40°C to +85°C | 64-Lead Low Profile Quad Flat Package [LQFP] | ST-64-2 |
| ADV7180BSTZ-REEL | -40°C to +85°C | 64-Lead Low Profile Quad Flat Package [LQFP] | ST-64-2 |
| ADV7180WBBCP32Z | -40°C to +85°C | 32-Lead Lead Frame Chip Scale Package [LFCSP_WQ] | CP-32-12 |
| ADV7180WBBCP32Z-RL | -40°C to +85°C | 32-Lead Lead Frame Chip Scale Package [LFCSP_WQ] | CP-32-12 |
| ADV7180WBBCPZ | -40°C to +125°C | 40-Lead Lead Frame Chip Scale Package [LFCSP_VQ] | CP-40-1 |
| ADV7180WBBCPZ-REEL | -40°C to +125°C | 40-Lead Lead Frame Chip Scale Package [LFCSP_VQ] | CP-40-1 |
| ADV7180WBSTZ | -40°C to +125°C | 64-Lead Low Profile Quad Flat Package [LQFP] | ST-64-2 |
| ADV7180WBSTZ-REEL | -40°C to +125°C | 64-Lead Low Profile Quad Flat Package [LQFP] | ST-64-2 |
| ADV7180WBST48Z | -40°C to +85°C | 48-Lead Low Profile Quad Flat Package [LQFP] | ST-48 |
| ADV7180WBST48Z-RL | -40°C to +85°C | 48-Lead Low Profile Quad Flat Package [LQFP] | ST-48 |
| ADV7180KST48Z | -10°C to +70°C | 48-Lead Low Profile Quad Flat Package [LQFP] | ST-48 |
| ADV7180KST48Z-RL | -10°C to +70°C | 48-Lead Low Profile Quad Flat Package [LQFP] | ST-48 |
| ADV7180BST48Z | -40°C to +85°C | 48-Lead Low Profile Quad Flat Package [LQFP] | ST-48 |
| ADV7180BST48Z-RL | -40°C to +85°C | 48-Lead Low Profile Quad Flat Package [LQFP] | ST-48 |
| ADV7180BCP32Z | -40°C to +85°C | 32-Lead Lead Frame Chip Scale Package [LFCSP_WQ] | CP-32-12 |
| ADV7180BCP32Z-RL | -40°C to +85°C | 32-Lead Lead Frame Chip Scale Package [LFCSP_WQ] | CP-32-12 |
| EVAL-ADV7180LQEBZ | | Evaluation Board for the 64-Lead LQFP | |
| EVAL-ADV7180LFEBZ | | Evaluation Board for the 40-Lead LFCSP | |
| EVAL-ADV7180-32EBZ | | Evaluation Board for the 32-Lead LFCSP | |
| EVAL-ADV7180-48EBZ | | Evaluation Board for the 48-Lead LQFP | |

¹ Z = RoHS Compliant Part.

² W = Qualified for Automotive Applications.

AUTOMOTIVE PRODUCTS

The ADV7180W models are available with controlled manufacturing to support the quality and reliability requirements of automotive applications. Note that these automotive models may have specifications that differ from the commercial models, and designers should review the product Specifications section of this data sheet carefully. Only the automotive grade products shown are available for use in automotive applications. Contact your local Analog Devices account representative for specific product ordering information and to obtain the specific automotive reliability reports for these models.

Note that the ADV7180 is a Pb-free, environmentally friendly product. It is manufactured using the most up-to-date materials and processes. The coating on the leads of each device is 100% pure Sn electroplate. The device is suitable for Pb-free applications and can withstand surface-mount soldering at up to 255°C (±5°C).

In addition, it is backward-compatible with conventional SnPb soldering processes. This means that the electroplated Sn coating can be soldered with Sn/Pb solder pastes at conventional reflow temperatures of 220°C to 235°C.

NOTES

NOTES

NOTES

I²C refers to a communications protocol originally developed by Philips Semiconductors (now NXP Semiconductors).



Стандарт Электрон Связь

Мы молодая и активно развивающаяся компания в области поставок электронных компонентов. Мы поставляем электронные компоненты отечественного и импортного производства напрямую от производителей и с крупнейших складов мира.

Благодаря сотрудничеству с мировыми поставщиками мы осуществляем комплексные и плановые поставки широчайшего спектра электронных компонентов.

Собственная эффективная логистика и склад в обеспечивает надежную поставку продукции в точно указанные сроки по всей России.

Мы осуществляем техническую поддержку нашим клиентам и предпродажную проверку качества продукции. На все поставляемые продукты мы предоставляем гарантию .

Осуществляем поставки продукции под контролем ВП МО РФ на предприятия военно-промышленного комплекса России , а также работаем в рамках 275 ФЗ с открытием отдельных счетов в уполномоченном банке. Система менеджмента качества компании соответствует требованиям ГОСТ ISO 9001.

Минимальные сроки поставки, гибкие цены, неограниченный ассортимент и индивидуальный подход к клиентам являются основой для выстраивания долгосрочного и эффективного сотрудничества с предприятиями радиоэлектронной промышленности, предприятиями ВПК и научно-исследовательскими институтами России.

С нами вы становитесь еще успешнее!

Наши контакты:

Телефон: +7 812 627 14 35

Электронная почта: sales@st-electron.ru

Адрес: 198099, Санкт-Петербург,
Промышленная ул, дом № 19, литера Н,
помещение 100-Н Офис 331