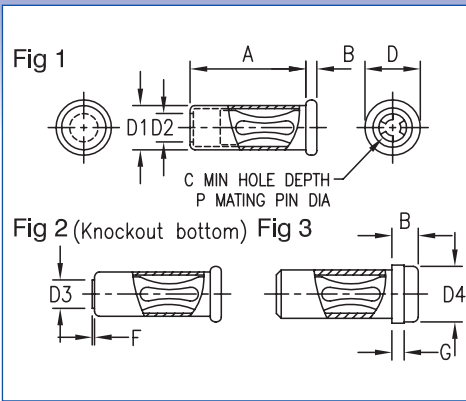


SINGLE POLE SOCKETS - SOLDER MOUNT

Dimensions in inches (mm)



How to order code

450 - XXXX - XX - XX - 00

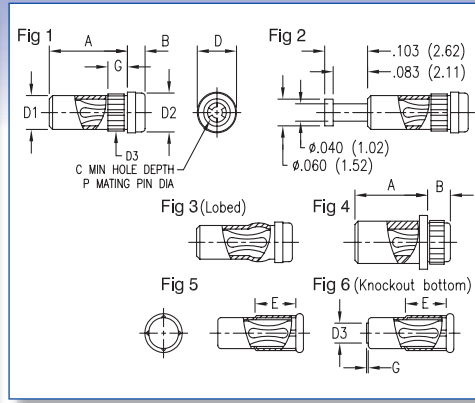
Basic Part No. | Finish

| Material Code Table | | |
|---------------------|---------------------------------|------|
| Component | Material | RoHS |
| Body | Brass | ✓ |
| | Copper* | ✓ |
| Spring | Beryllium Copper (Heat Treated) | ✓ |

| Finish Code Table | | | |
|-------------------|------------------|------------------|------|
| Dash No. | Body Finish | Spring Finish | RoHS |
| -03 | Gold over Nickel | Gold over Nickel | ✓ |
| -04 | Electro-Tin | Electro-Tin | ✓ |
| -06 | Electro-Tin | Gold over Nickel | ✓ |

| Fig. | Basic Part No. | P | A | B | C | D | D1 | D2 | D4 | G | Mtg. Hole Diameter |
|------|----------------|-------------|-------------|-------------|-------------|-------------|-------------|-------------|-------------|-------------|--------------------|
| 1 | 450-2598 -01 | .019 (0.48) | .208 (5.28) | .032 (0.81) | - | .063 (1.60) | .049 (1.24) | .026 (0.66) | - | - | .052 (1.32) |
| | 450-3268 -01 | .019 (0.48) | .208 (5.28) | .032 (0.81) | .215 (5.46) | .063 (1.60) | .049 (1.24) | - | - | - | .052 (1.32) |
| | 450-3772 -01* | .019 (0.48) | .212 (5.38) | .015 (0.38) | .207 (5.26) | .060 (1.52) | .049 (1.24) | - | - | - | .052 (1.32) |
| | -02* | .019 (0.48) | .208 (5.28) | .015 (0.38) | - | .060 (1.52) | .049 (1.24) | .030 (0.76) | - | - | .052 (1.32) |
| | 450-3703 -01* | .025 (0.64) | .142 (3.61) | .020 (0.51) | .141 (3.58) | .074 (1.88) | .053 (1.35) | - | - | - | .055 (1.40) |
| | 450-3718 -01* | .031 (0.79) | .188 (4.78) | .018 (0.46) | .190 (4.83) | .090 (2.29) | .073 (1.85) | - | - | - | .076 (1.93) |
| | 450-7004 -01 | .031 (0.79) | .235 (5.97) | .030 (0.76) | .182 (4.62) | .091 (2.31) | .068 (1.73) | - | - | - | .073 (1.85) |
| | 450-3704 -01* | .040 (1.02) | .188 (4.78) | .018 (0.46) | .190 (4.83) | .090 (2.29) | .073 (1.85) | - | - | - | .076 (1.93) |
| | 450-3722 -01 | .050 (1.27) | .195 (4.95) | .018 (0.46) | .200 (5.08) | .120 (3.05) | .098 (2.49) | - | - | - | .102 (2.59) |
| | 450-1813 -01 | .061 (1.55) | .195 (4.95) | .018 (0.46) | - | .120 (3.05) | .098 (2.49) | .071 (1.80) | - | - | .102 (2.59) |
| | 450-3326 -01 | .061 (1.55) | .195 (4.95) | .018 (0.46) | .200 (5.08) | .120 (3.05) | .098 (2.49) | - | - | - | .102 (2.59) |
| | 450-1812 -01 | .065 (1.65) | .195 (4.95) | .018 (0.46) | - | .120 (3.05) | .098 (2.49) | .071 (1.80) | - | - | .102 (2.59) |
| | 450-3708 -01 | .080 (2.03) | .350 (8.89) | .020 (0.51) | .360 (9.14) | .143 (3.63) | .114 (2.90) | - | - | - | .116 (2.95) |
| 2 | 450-3716 -01* | .040 (1.02) | .190 (4.83) | .018 (0.46) | .190 (4.83) | .090 (2.29) | .073 (1.85) | .046 (1.17) | - | .013 (0.33) | .076 (1.93) |
| 3 | 450-3230 -01 | .025 (0.64) | .112 (2.84) | .080 (2.03) | .150 (3.81) | .080 (2.03) | .058 (1.47) | - | .073 (1.85) | .030 (0.76) | .062 (1.57) |
| | 450-3293 -01 | .025 (0.64) | .102 (2.59) | .080 (2.03) | - | .080 (2.03) | .058 (1.47) | .046 (1.17) | .073 (1.85) | .030 (0.76) | .062 (1.57) |
| | 450-3286 -01 | .040 (1.02) | .200 (5.08) | .036 (0.91) | - | .125 (3.18) | .085 (2.16) | .062 (1.57) | .092 (2.34) | .020 (0.51) | .089 (2.26) |
| | 450-3366 -01 | .040 (1.02) | .125 (3.18) | .192 (4.88) | .192 (4.88) | .125 (3.18) | .085 (2.16) | - | .091 (2.31) | .032 (0.81) | .089 (2.26) |
| | 450-3388 -01 | .040 (1.02) | .200 (5.08) | .036 (0.91) | .190 (4.83) | .125 (3.18) | .085 (2.16) | - | .092 (2.34) | .020 (0.51) | .089 (2.26) |
| | 450-5301 -01 | .040 (1.02) | .112 (2.85) | .108 (2.75) | .185 (4.70) | .102 (2.59) | .074 (1.88) | - | .092 (2.34) | .030 (0.76) | .076 (1.93) |
| | 450-3256 -01 | .080 (2.03) | .312 (7.92) | .100 (2.54) | - | .188 (4.78) | .142 (3.61) | .104 (2.64) | .143 (3.63) | .047 (1.19) | .144 (3.66) |
| | 450-3398 -01 | .080 (2.03) | .312 (7.92) | .100 (2.54) | .333 (8.46) | .188 (4.78) | .142 (3.61) | - | .143 (3.63) | .047 (1.19) | .144 (3.66) |

SINGLE POLE SOCKETS - PRESS MOUNT



Dimensions in inches (mm)
See page 91 for recommended Anvil and Punch

How to order code

450 - XXXX - XX - XX - 00

Basic Part No.

Finish

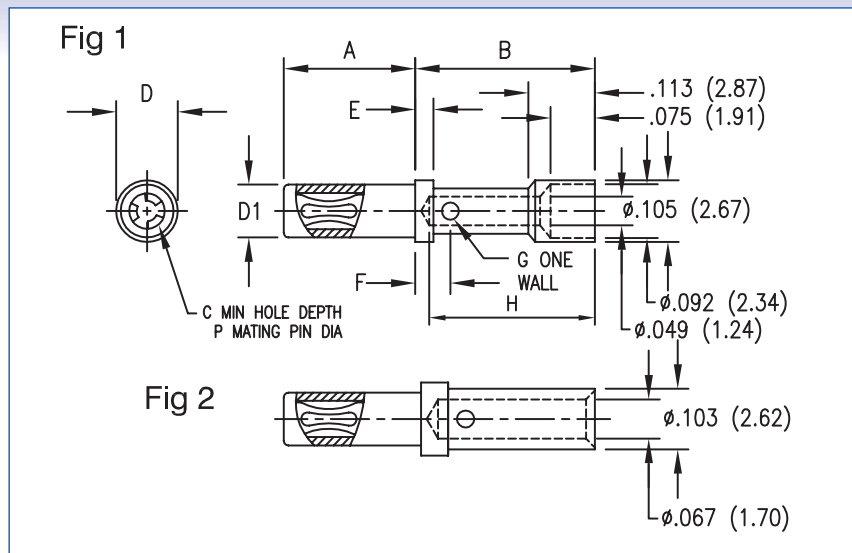
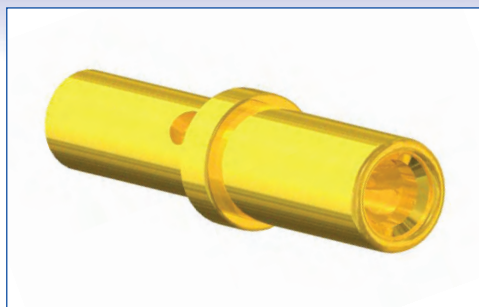
| Material Code Table | | |
|---------------------|---------------------------------|------|
| Component | Material | RoHS |
| Body | Brass | ✓ |
| | Copper* | ✓ |
| Spring | Beryllium Copper (Heat Treated) | ✓ |

| Finish Code Table | | | |
|-------------------|------------------|------------------|------|
| Dash No. | Body Finish | Spring Finish | RoHS |
| -03 | Gold over Nickel | Gold over Nickel | ✓ |
| -04 | Electro-Tin | Electro-Tin | ✓ |
| -06 | Electro-Tin | Gold over Nickel | ✓ |

| Fig. | Basic Part No. | P | A | B | C | D | D1 | D2 | D3 | E | G | Board Thickness | Mtg. Hole Diameter |
|------|----------------|-------------|-------------|-------------|-------------|-------------|-------------|-------------|-------------|-------------|-------------|-----------------|--------------------|
| 1 | 450-3720 -01 | .031 (0.79) | .213 (5.41) | .037 (0.94) | .185 (4.70) | .110 (2.79) | .080 (2.03) | .092 (2.34) | .092 (2.34) | - | .070 (1.78) | .062 (1.57) | .089 (2.26) |
| | 450-3954 -01 | .040 (1.02) | .140 (3.56) | .080 (2.03) | .185 (4.70) | .102 (2.59) | .072 (1.83) | .092 (2.34) | .081 (2.06) | - | .052 (1.32) | - | .076 (1.93) |
| | 450-3721 -01 | .040 (1.02) | .213 (5.41) | .037 (0.94) | .185 (4.70) | .110 (2.79) | .080 (2.03) | .092 (2.34) | .092 (2.34) | - | .070 (1.78) | .062 (1.57) | .089 (2.26) |
| | 450-5348 -01 | .040 (1.02) | .090 (2.30) | .129 (3.29) | .185 (4.70) | .102 (2.59) | .072 (1.83) | .092 (2.34) | .081 (2.06) | - | .052 (1.32) | - | .076 (1.93) |
| 2 | 450-3755 -01 | .040 (1.02) | .200 (5.08) | .040 (1.02) | .185 (4.70) | .110 (2.79) | .082 (2.08) | .092 (2.34) | .092 (2.34) | - | .070 (1.78) | .062 (1.57) | .089 (2.26) |
| 3 | 450-3752 -01 | .040 (1.02) | .140 (3.56) | .080 (2.03) | .185 (4.70) | .102 (2.59) | .074 (1.88) | .092 (2.34) | - | - | - | - | .076 (1.93) |
| 4 | 450-1801 -01 | .040 (1.02) | .175 (4.45) | .055 (1.40) | .185 (4.70) | .125 (3.18) | .100 (2.54) | .092 (2.34) | .103 (2.62) | - | - | - | .099 (2.53) |
| 5 | 450-1804 -01 | .061 (1.55) | .195 (4.95) | .018 (0.46) | .200 (5.08) | .120 (3.05) | .098 (2.49) | - | - | .100 (2.54) | - | - | .102 (2.59) |
| | 450-1806 -01 | .080 (2.03) | .356 (9.04) | .015 (0.38) | .360 (9.14) | .143 (3.63) | .114 (2.90) | - | - | .150 (3.81) | - | - | .116 (2.95) |
| | 450-3983 -01* | .025 (0.64) | .138 (3.51) | .020 (0.51) | .141 (3.58) | .074 (1.88) | .053 (1.35) | - | - | .080 (2.03) | - | - | .055 (1.40) |
| | 450-3998 -01* | .031 (0.79) | .188 (4.78) | .018 (0.46) | .190 (4.83) | .090 (2.29) | .073 (1.85) | - | - | .100 (2.54) | - | - | .076 (1.93) |
| | 450-3729 -01* | .040 (1.02) | .188 (4.78) | .018 (0.46) | .190 (4.83) | .090 (2.29) | .073 (1.85) | - | - | .100 (2.54) | - | - | .076 (1.93) |
| 6 | 450-3723 -01* | .040 (1.02) | .188 (4.78) | .018 (0.46) | .190 (4.83) | .090 (2.29) | .073 (1.85) | - | .046 (1.17) | - | .005 (0.13) | - | .076 (1.93) |

SINGLE POLE SOCKETS - PATCHCORD CRIMP

Dimensions in inches (mm)
See page 91 for recommended Crimping Pliers



How to order code

450 - XXXX - 01 - XX - XX

Basic Part No. | Insulator Colour | Socket Finish

| Material Code Table | | |
|---------------------|---------------------------------|------|
| Component | Material | RoHS |
| Body | Brass | ✓ |
| Spring | Beryllium Copper (Heat Treated) | ✓ |
| Insulation | Polyolefin Plastic | ✓ |

| Finish Code Table | | | |
|-------------------|------------------|------------------|------|
| Dash No. | Body Finish | Spring Finish | RoHS |
| -03 | Gold over Nickel | Gold over Nickel | ✓ |
| -04 | Electro-Tin | Electro-Tin | ✓ |
| -06 | Electro-Tin | Gold over Nickel | ✓ |

| Insulation Colour Code Table | |
|------------------------------|--------|
| Dash No. | Colour |
| -00 | None |
| -10 | Black |

| Fig. | Basic Part No. | P | A | B | C | D | D1 | E | F | G | H |
|------|--|-------------|--------------|-------------|-------------|-------------|-------------|-------------|-------------|-------------|-------------|
| 1 | 450-3367 -01 | .040 (1.02) | .224 (5.69) | .306 (7.77) | .185 (4.70) | .105 (2.67) | .091 (2.29) | .031 (0.79) | .060 (1.52) | .029 (0.74) | .282 (7.16) |
| | Also available with black polyolefin sleeve as 450-3378-01-XX-10 | | | | | | | | | | |
| | 450-1807 -01 | .080 (2.03) | .420 (10.67) | .306 (7.77) | .375 (9.53) | .170 (4.32) | .143 (3.63) | .031 (0.79) | .060 (1.52) | .029 (0.74) | .282 (7.16) |
| 2 | 450-0016 -01 | .061 (1.55) | .234 (5.94) | .296 (7.52) | .190 (4.83) | .141 (3.58) | .119 (3.02) | .046 (1.17) | .076 (1.93) | .039 (0.99) | .267 (6.78) |
| | Also available with black polyolefin sleeve as 450-3413-01-XX-10 | | | | | | | | | | |

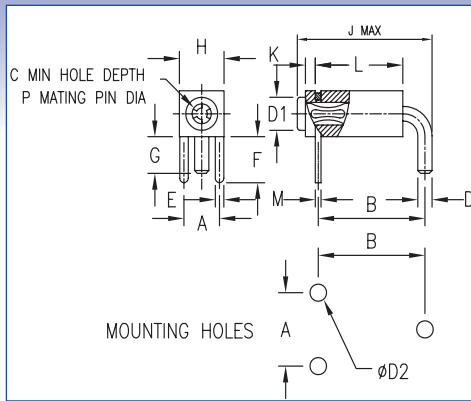
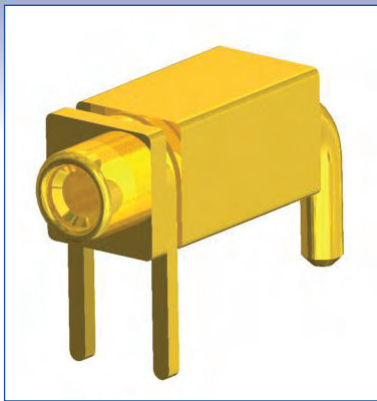
450-3367/450-3378/450-1807

Recommended hook-up wire size - #22AWG, 7 strands #30 AWG copper wire PTFE insulated
Sockets also accommodate #20 AWG, 7 strands #28 AWG copper wire
#24 AWG, 7 strands #32 AWG copper wire

450-0016/450-3413

Recommended hook-up wire size - #20 AWG, 7 strands #28 AWG copper wire PTFE insulated
Sockets also accommodate #18 AWG, 7 strands #26 AWG copper wire
#16 AWG, 19 strands #29 AWG copper wire

SINGLE POLE SOCKETS - PCB MOUNT SOLDER



Dimensions in inches (mm)

How to order code

450 - 3XXX - 01 - XX - 00

Basic Part No. | Finish

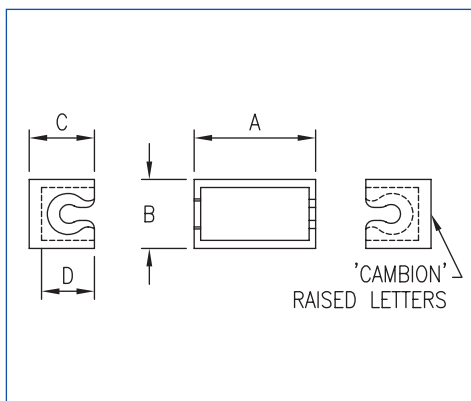
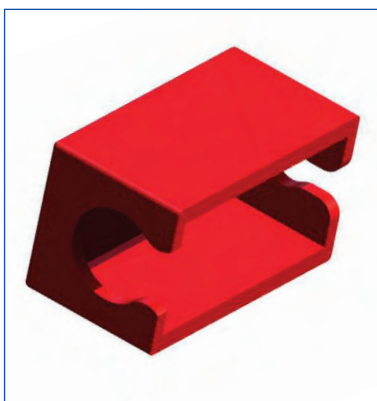
| Material Code Table | | |
|---------------------|---------------------------------|------|
| Component | Material | RoHS |
| Body | Brass | ✓ |
| Spring | Beryllium Copper (Heat Treated) | ✓ |
| Clip | Brass | ✓ |

| Finish Code Table | | | | |
|-------------------|------------------|------------------|------------------|------|
| Dash No. | Body Finish | Spring Finish | Clip | RoHS |
| -03 | Gold over Nickel | Gold over Nickel | Gold over Nickel | ✓ |
| -04 | Electro-Tin | Electro-Tin | Electro-Tin | ✓ |
| -06 | Electro-Tin | Gold over Nickel | Electro-Tin | ✓ |

| Basic Part No. | P | A | B | C | D | D1 | D2 | E |
|----------------|-------------|-------------|--------------|-------------|-------------|-------------|-------------|-------------|
| 450-3422 -01 | .040 (1.02) | .100 (2.54) | .300 (7.62) | .211 (5.36) | .040 (1.02) | .092 (2.34) | .047 (1.19) | .024 (0.61) |
| 450-3888 -01 | .080 (2.03) | .200 (5.08) | .400 (10.16) | .325 (8.26) | .056 (1.42) | .142 (3.61) | .062 (1.57) | .046 (1.17) |

| Basic Part No. | F | G | H | J | K | L | M |
|----------------|-------------|-------------|-------------|--------------|-------------|-------------|-------------|
| 450-3422 -01 | .125 (3.18) | .100 (2.54) | .125 (3.18) | .416 (10.57) | .028 (0.71) | .229 (5.82) | .016 (0.41) |
| 450-3888 -01 | .218 (5.54) | .156 (3.96) | .188 (4.78) | .537 (13.64) | .038 (0.97) | .325 (8.26) | .020 (0.51) |

SNAP ON COLOUR CODE INSULATOR



Dimensions in inches (mm)

How to order code

506 - 44XX - 01 - 00 - XX

Basic Part No. | Colour

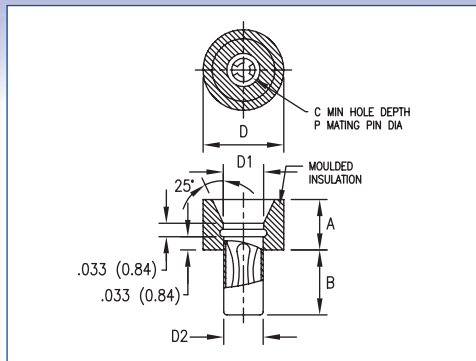
| Material Code Table | | |
|---------------------|----------|------|
| Component | Material | RoHS |
| Cover | Nylon | ✓ |

| Colour Code Table | | | |
|-------------------|--------|----------|--------|
| Dash No. | Colour | Dash No. | Colour |
| -10 | Black | -15 | Green |
| -11 | Brown | -16 | Blue |
| -12 | Red | -17 | Violet |
| -13 | Orange | -18 | Grey |
| -14 | Yellow | -19 | White |

| Basic Part No. | Used on Part | A | B | C | D |
|----------------|--------------|--------------|-------------|-------------|-------------|
| 506-4422 -01 | 450-3422 | .301 (7.65) | .172 (4.37) | .162 (4.11) | .131 (3.33) |
| 506-4488 -01 | 450-3888 | .415 (10.54) | .276 (7.01) | .268 (6.81) | .194 (4.93) |

SINGLE POLE SOCKETS - SOLDER MOUNT - MOULDED GUIDED ENTRY

Dimensions in inches (mm)



How to order code

450 - 1826 - 01 - 03 - 20

Basic Part No. | Insulator Colour | Socket Finish

| Material Code Table | | Material |
|---------------------|--------|---------------------------------|
| Jack: | Body | Brass |
| | Spring | Beryllium Copper (Heat Treated) |
| Insulator | | Nylon |

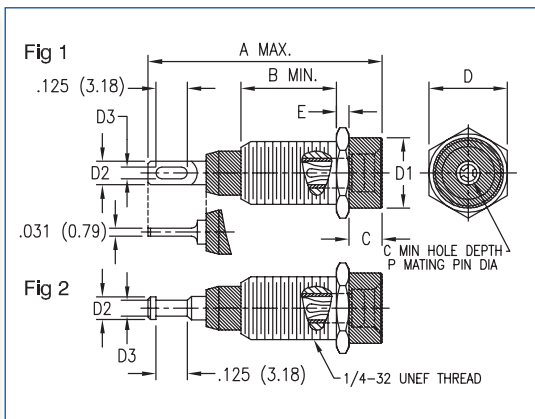
| Finish Code Table | | | |
|-------------------|------------------|------------------|------|
| Dash No. | Body Finish | Spring Finish | RoHS |
| -03 | Gold over Nickel | Gold over Nickel | ✓ |

| Insulation Colour Code Table | |
|------------------------------|---------|
| Dash No. | Colour |
| -20 | Natural |

| Basic Part No. | P | A | B | D | D1 | D2 | C | Mtg. Hole Diameter |
|----------------|-------------|-------------|-------------|-------------|-------------|-------------|-------------|--------------------|
| 450-1826 -01 | .061 (1.55) | .125 (3.18) | .162 (4.11) | .200 (5.08) | .093 (2.36) | .098 (2.49) | .250 (6.35) | .102 (2.59) |

SINGLE POLE SOCKETS - INSULATED - THREAD MOUNT

Dimensions in inches (mm)



How to order code

450 - XXXX - 01 - 03 - XX

Basic Part No. | Insulator Colour | Terminal Finish

| Material Code Table | | |
|---------------------------------|---------------------------------|------|
| Component | Material | RoHS |
| Insulator (450-3358 & 450-3381) | Nylon | ✓ |
| Insulator (450-3359 & 450-3382) | PTFE | ✓ |
| Metal Sleeve | Brass | ✓ |
| Socket Body | Brass | ✓ |
| Socket Spring | Beryllium Copper (Heat Treated) | ✓ |
| Mounting Hex Nut | Brass | ✓ |
| Internal Tooth Lockwasher | Phosphor Bronze | ✓ |

| Finish Code Table | | | | | | | |
|-------------------|--------------------|----------------------|---------------------|---------------------|-------------------|------|--|
| Dash No. | Socket Body Finish | Socket Spring Finish | Metal Sleeve Finish | Mtg. Hex Nut Finish | Lockwasher Finish | RoHS | |
| -03 | Gold over Nickel | Gold over Nickel | Nickel | Nickel | Nickel | ✓ | |

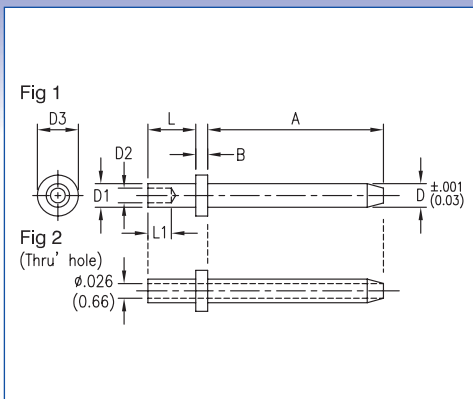
| Insulation Colour Code Table | |
|------------------------------|--------|
| Dash No. | Colour |
| -10 | Black |
| -12 | Red* |
| -16 | Blue |
| -19 | White |

| Fig. | Basic Part No. | A | B | C | D | D1 | D2 | D3 | E | C | P | Dielectric Withstand Voltage (rms) | Insulator |
|------|----------------|--------------|-------------|-------------|-------------|-------------|-------------|-------------|-------------|--------------|-------------|------------------------------------|-----------|
| 1 | 450-3358 -01 | 1.000 (25.4) | .375 (9.53) | .131 (3.33) | .312 (7.92) | .281 (7.14) | .093 (2.36) | .047 (1.19) | .050 (1.27) | .540 (13.72) | .080 (2.03) | 3000 | Nylon |
| | 450-3359 -01 | 1.000 (25.4) | .375 (9.53) | .131 (3.33) | .312 (7.92) | .281 (7.14) | .093 (2.36) | .047 (1.19) | .050 (1.27) | .540 (13.72) | .080 (2.03) | 3000 | PTFE |
| 2 | 450-3381 -01 | 1.000 (25.4) | .375 (9.53) | .131 (3.33) | .312 (7.92) | .281 (7.14) | .090 (2.29) | .062 (1.57) | .050 (1.27) | .540 (13.72) | .080 (2.03) | 3000 | Nylon |
| | 450-3382 -01 | 1.000 (25.4) | .375 (9.53) | .131 (3.33) | .312 (7.92) | .281 (7.14) | .090 (2.29) | .062 (1.57) | .050 (1.27) | .540 (13.72) | .080 (2.03) | 3000 | PTFE |

Mounting Hardware supplied un-assembled. *Red PTFE is NOT RoHS compliant

CONNECTOR PINS - STRAIGHT

Dimensions in inches (mm)
See page 91/92 for recommended
Anvil and Punch



How to order code

460 - XXXX - XX - XX - 00

Basic Part No. | 'L' Length | Finish

| Material Code Table | | |
|---------------------|----------|------|
| Component | Material | RoHS |
| Pin | Brass | ✓ |

| Finish Code Table | | |
|-------------------|------------------|------|
| Dash No. | Pin Finish | RoHS |
| -03 | Gold over Nickel | ✓ |
| -04 | Electro-Tin | ✓ |

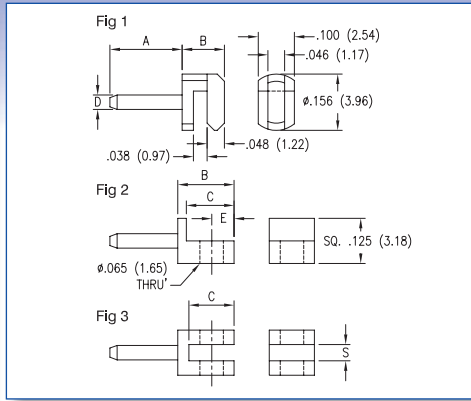
| Fig. | Basic Part No. | 'L' Length | Board Thickness | L1 | A | B | D | D1 | D2 | D3 | Mtg. Hole Diameter |
|--------------|----------------|------------|-----------------|------------|-------------|-------------|------------|------------|------------|------------|--------------------|
| 1 | 460-2599 -01 | .051(1.30) | .031(0.79) | .035(0.89) | .156(3.96) | .030(0.76) | .017(0.43) | .049(1.24) | .033(0.84) | .078(1.98) | .052(1.32) |
| | -02 | .082(2.08) | .062(1.57) | .062(1.57) | | | | | | | |
| | -03 | .113(2.87) | .094(2.39) | | | | | | | | |
| | -04 | .145(3.68) | .125(3.18) | | | | | | | | |
| | 460-5247 -01 | .061(1.55) | .025(0.64) | - | .157(3.99) | .016(0.41) | .017(0.43) | .019(0.48) | - | .039(0.99) | .025(0.64) |
| | -02 | .075(1.91) | .040(1.02) | | | | | | | | |
| | 460-2620 -01 | .051(1.30) | .031(0.79) | .040(1.02) | .150(3.81) | .020(0.51) | .025(0.64) | .031(0.79) | .020(0.51) | .050(1.27) | .035(0.89) |
| | -02 | .082(2.08) | .062(1.57) | | | | | | | | |
| | 460-2621 -01 | .051(1.30) | .031(0.79) | .040(1.02) | .300(7.62) | .020(0.51) | .025(0.64) | .031(0.79) | .020(0.51) | .050(1.27) | .035(0.89) |
| | -02 | .082(2.08) | .062(1.57) | | | | | | | | |
| | 460-2625 -01 | .051(1.30) | .031(0.79) | .040(1.02) | .150(3.81) | .170(4.32) | .025(0.64) | .031(0.79) | .020(0.51) | .050(1.27) | .035(0.89) |
| | -02 | .082(2.08) | .062(1.57) | | | | | | | | |
| | 460-2626 -01 | .051(1.30) | .031(0.79) | .040(1.02) | .150(3.81) | .420(10.67) | .025(0.64) | .031(0.79) | .020(0.51) | .050(1.27) | .035(0.89) |
| | -02 | .082(2.08) | .062(1.57) | | | | | | | | |
| | 460-3231 -01 | .051(1.30) | .031(0.79) | .035(0.89) | .125(3.18) | .025(0.64) | .025(0.64) | .040(1.02) | .025(0.64) | .062(1.57) | .043(1.09) |
| | -02 | .082(2.08) | .062(1.57) | | | | | | | | |
| | -03 | .113(2.87) | .094(2.39) | | | | | | | | |
| | 460-3393 -01 | .062(1.57) | .031(0.79) | .040(1.02) | .125(3.18) | .030(0.76) | .025(0.64) | .058(1.47) | .040(1.02) | .078(1.98) | .062(1.57) |
| | -02 | .094(2.39) | .062(1.57) | | | | | | | | |
| | -03 | .125(3.18) | .094(2.39) | | | | | | | | |
| | -04 | .156(3.96) | .125(3.18) | | | | | | | | |
| | 460-2983 -01 | .051(1.30) | .031(0.79) | .040(1.02) | .300(7.62) | .020(0.51) | .031(0.79) | .040(1.02) | .025(0.64) | .070(1.78) | .043(1.09) |
| | -02 | .082(2.08) | .062(1.57) | | | | | | | | |
| | -03 | .113(2.87) | .094(2.39) | | | | | | | | |
| 460-2984 -01 | .051(1.30) | .031(0.79) | .040(1.02) | .150(3.81) | .020(0.51) | .031(0.79) | .040(1.02) | .025(0.64) | .070(1.78) | .043(1.09) | |
| -02 | .082(2.08) | .062(1.57) | | | | | | | | | |
| -03 | .113(2.87) | .094(2.39) | | | | | | | | | |
| 460-2627 -01 | .051(1.30) | .031(0.79) | .040(1.02) | .150(3.81) | .170(4.32) | .040(1.02) | .040(1.02) | .025(0.64) | .070(1.78) | .043(1.09) | |
| -02 | .082(2.08) | .062(1.57) | | | | | | | | | |
| -03 | .113(2.87) | .094(2.39) | | | | | | | | | |
| 460-2628 -01 | .051(1.30) | .031(0.79) | .040(1.02) | .150(3.81) | .420(10.67) | .040(1.02) | .040(1.02) | .025(0.64) | .070(1.78) | .043(1.09) | |
| -02 | .082(2.08) | .062(1.57) | | | | | | | | | |
| -03 | .113(2.87) | .094(2.39) | | | | | | | | | |

CONNECTOR PINS - STRAIGHT

| Fig. | Basic Part No. | 'L' Length | Board Thickness | L1 | A | B | D | D1 | D2 | D3 | Mtg. Hole Diameter |
|--------------|----------------|------------|-----------------|-------------|--------------|------------|------------|------------|------------|------------|--------------------|
| 1 | 460-2946 -01 | .051(1.30) | .031(0.79) | .040(1.02) | .500(12.70) | .020(0.51) | .040(1.02) | .040(1.02) | .025(0.64) | .070(1.78) | .043(1.09) |
| | -02 | .082(2.08) | .062(1.57) | | | | | | | | |
| | -03 | .113(2.87) | .094(2.39) | | | | | | | | |
| | 460-2947 -01 | .051(1.30) | .031(0.79) | .040(1.02) | .750(19.05) | .020(0.51) | .040(1.02) | .040(1.02) | .025(0.64) | .070(1.78) | .043(1.09) |
| | -02 | .082(2.08) | .062(1.57) | | | | | | | | |
| | -03 | .113(2.87) | .094(2.39) | | | | | | | | |
| | 460-2948 -01 | .051(1.30) | .031(0.79) | .040(1.02) | 1.000(25.40) | .020(0.51) | .040(1.02) | .040(1.02) | .025(0.64) | .070(1.78) | .043(1.09) |
| | -02 | .082(2.08) | .062(1.57) | | | | | | | | |
| | -03 | .113(2.87) | .094(2.39) | | | | | | | | |
| | 460-2970 -01 | .051(1.30) | .031(0.79) | .040(1.02) | .300(7.62) | .020(0.51) | .040(1.02) | .040(1.02) | .025(0.64) | .070(1.78) | .043(1.09) |
| | -02 | .082(2.08) | .062(1.57) | | | | | | | | |
| | -03 | .113(2.87) | .094(2.39) | | | | | | | | |
| | 460-2971 -01 | .051(1.30) | .031(0.79) | .040(1.02) | .150(3.81) | .020(0.51) | .040(1.02) | .040(1.02) | .025(0.64) | .070(1.78) | .043(1.09) |
| | -02 | .082(2.08) | .062(1.57) | | | | | | | | |
| | -03 | .113(2.87) | .094(2.39) | | | | | | | | |
| | 460-2976 -01 | .051(1.30) | .031(0.79) | .040(1.02) | .188(4.78) | .020(0.51) | .040(1.02) | .040(1.02) | .025(0.64) | .070(1.78) | .043(1.09) |
| | -02 | .082(2.08) | .062(1.57) | | | | | | | | |
| | -03 | .113(2.87) | .094(2.39) | | | | | | | | |
| | 460-3220 -01 | .062(1.57) | .031(0.79) | .040(1.02) | .188(4.78) | .020(0.51) | .045(1.14) | .060(1.52) | .042(1.07) | .094(2.39) | .064(1.63) |
| | -02 | .094(2.39) | .062(1.57) | | | | | | | | |
| | -03 | .125(3.18) | .094(2.39) | | | | | | | | |
| | -04 | .155(3.94) | .125(3.18) | | | | | | | | |
| | 460-3342 -01 | .053(1.35) | .031(0.79) | .050(1.27) | .188(4.78) | .025(0.64) | .062(1.57) | .062(1.57) | .043(1.09) | .094(2.39) | .067(1.70) |
| | -02 | .084(2.13) | .062(1.57) | | | | | | | | |
| -03 | .115(2.92) | .094(2.39) | | | | | | | | | |
| 460-1524 -01 | .051(1.30) | .031(0.79) | .040(1.02) | .500(12.70) | .030(0.76) | .080(2.03) | .090(2.29) | .067(1.70) | .156(3.96) | .094(2.39) | |
| -02 | .082(2.08) | .062(1.57) | | | | | | | | | |
| -03 | .113(2.87) | .094(2.39) | | | | | | | | | |
| 460-2629 -02 | .094(2.39) | .062(1.57) | .062(1.57) | .375(9.53) | .025(0.64) | .080(2.03) | .090(2.29) | .064(1.63) | .125(3.18) | .094(2.39) | |
| -03 | .125(3.18) | .094(2.39) | | | | | | | | | |
| -04 | .156(3.96) | .125(3.18) | | | | | | | | | |
| 2 | 460-2956 -01 | .051(1.30) | .031(0.79) | - | .500(12.70) | .020(0.51) | .040(1.02) | .040(1.02) | - | .070(1.78) | .043(1.09) |
| | -02 | .082(2.08) | .062(1.57) | | | | | | | | |
| | -03 | .113(2.87) | .094(2.39) | | | | | | | | |
| | 460-2957 -01 | .051(1.30) | .031(0.79) | - | .750(19.05) | .020(0.51) | .040(1.02) | .040(1.02) | - | .070(1.78) | .043(1.09) |
| | -02 | .082(2.08) | .062(1.57) | | | | | | | | |
| | -03 | .113(2.87) | .094(2.39) | | | | | | | | |
| | 460-2958 -01 | .051(1.30) | .031(0.79) | - | 1.000(25.40) | .020(0.51) | .040(1.02) | .040(1.02) | - | .070(1.78) | .043(1.09) |
| | -02 | .082(2.08) | .062(1.57) | | | | | | | | |
| | -03 | .113(2.87) | .094(2.39) | | | | | | | | |
| | 460-3232 -01 | .051(1.30) | .031(0.79) | - | .300(7.62) | .020(0.51) | .040(1.02) | .040(1.02) | - | .070(1.78) | .043(1.09) |
| | -02 | .082(2.08) | .062(1.57) | | | | | | | | |
| | -03 | .113(2.87) | .094(2.39) | | | | | | | | |
| | 460-3233 -01 | .051(1.30) | .031(0.79) | - | .150(3.81) | .020(0.51) | .040(1.02) | .040(1.02) | - | .070(1.78) | .043(1.09) |
| | -02 | .082(2.08) | .062(1.57) | | | | | | | | |
| | -03 | .113(2.87) | .094(2.39) | | | | | | | | |
| | 460-3241 -01 | .051(1.30) | .031(0.79) | - | .100(2.54) | .020(0.51) | .040(1.02) | .040(1.02) | - | .070(1.78) | .043(1.09) |
| | -02 | .082(2.08) | .062(1.57) | | | | | | | | |
| | -03 | .113(2.87) | .094(2.39) | | | | | | | | |

CONNECTOR PINS - EDGE MOUNT

Dimensions in inches (mm)



How to order code

46X - XXXX - XX - XX - 00

Basic Part No. | Finish

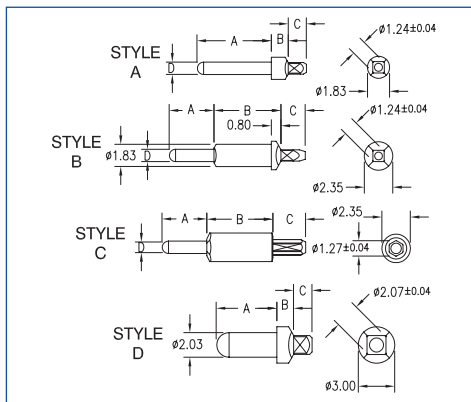
| Material Code Table | | |
|---------------------|----------|------|
| Component | Material | RoHS |
| Pin | Brass | ✓ |

| Finish Code Table | | |
|-------------------|------------------|------|
| Dash No. | Pin Finish | RoHS |
| -03 | Gold over Nickel | ✓ |
| -04 | Electro-Tin | ✓ |

| Fig. | Basic Part No. | A | Board Thickness | B | C | D | E | S |
|------|----------------|-------------|-----------------|-------------|-------------|-------------|-------------|-------------|
| 1 | 460-8250 -01 | .200 (5.08) | - | .117 (2.97) | - | .040 (1.02) | - | - |
| 2 | 461-2633 -01 | .188 (4.77) | - | .156 (3.96) | .132 (3.35) | .040 (1.02) | .062 (1.57) | - |
| 3 | 461-2634 -01 | .200 (5.08) | .031 (0.78) | .156 (3.96) | .125 (3.18) | .040 (1.02) | .062 (1.57) | .045 (1.15) |
| | -02 | | .062 (1.57) | | | | | .078 (1.98) |

CONNECTOR PINS - SOLDER MOUNT POLYGON

Dimensions in mm



How to order code

X - X - X - XXXX - XXXX - 3 - X

B - Brass | 'D' Dia | Style | 'A' Pin Length | Finish | 'B' Standoff Length | 'C' Mounting Length | T - Tellurium Copper

| Material Code Table | | | |
|---------------------|-------------|------------------|------|
| Component | Dash Letter | Material | RoHS |
| Pin | B | Brass | ✓ |
| | T | Tellurium Copper | ✓ |

| Finish Code Table | | |
|-------------------|------------------|------|
| Dash No. | Finish | RoHS |
| -03 | Gold over Nickel | ✓ |

| Mounting Code Table | |
|---------------------|-------------------|
| Dash No. | C Mounting Length |
| 1 | 0.90 |
| 2 | 1.50 |
| 3 | 2.00 |
| 4 | 2.70 |

| Pin Dia Code Table | |
|--------------------|----------------|
| Dash No. | D Pin Diameter |
| 1 | 1.02 |
| 2 | 1.57 |
| 3 | 2.03 |

| Example Part Number | Material | Pin dia D | Style | Pin Length A | Stand off Length B | Finish | Mounting Length C |
|---------------------|----------|-----------|-------|--------------|--------------------|--------|-------------------|
| B-1-B-0478-0432-3-4 | Brass | 1.02 | B | 4.78 | 4.32 | Gold | 2.70 |

CONNECTOR PINS - PATCHCORD CRIMP

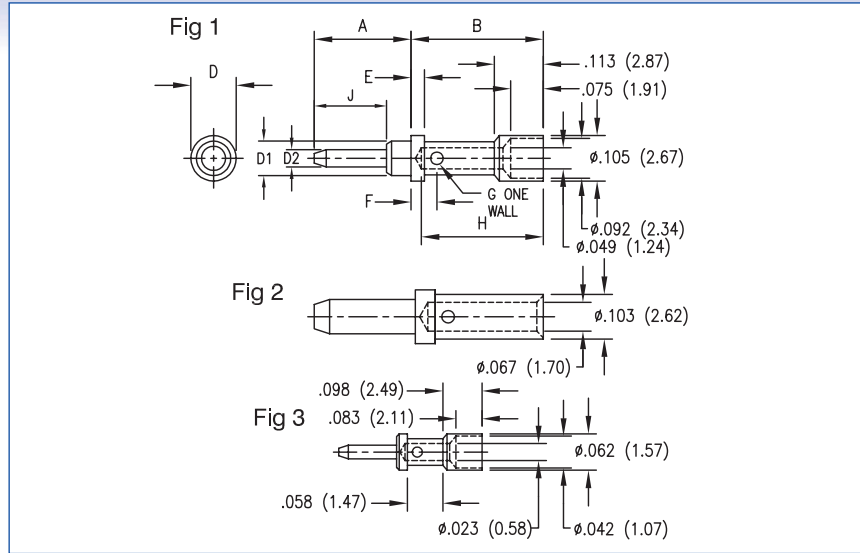
Dimensions in inches (mm)
See page 92 for recommended Crimping Pliers



How to order code

46X - 3XXX - XX - XX - XX

Basic Part No. | Insulator Colour | Socket Finish



| Material Code Table | | | Finish Code Table | | | Insulation Colour Code Table | |
|---------------------|--------------------|------|-------------------|------------------|------|------------------------------|--------|
| Component | Material | RoHS | Dash No. | Pin Finish | RoHS | Dash No. | Colour |
| Pin | Brass | ✓ | -03 | Gold over Nickel | ✓ | -00 | None |
| Insulation | Polyolefin Plastic | ✓ | -04 | Electro-Tin | ✓ | -10 | Black |

| Fig. | Basic Part No. | A | B | D | D1 | D2 | E | F | G | H | J |
|--|----------------|--------------|-------------|-------------|-------------|-------------|-------------|-------------|-------------|-------------|-------------|
| 1 | 460-3308 -01 | .282 (7.16) | .306 (7.77) | .105 (2.67) | .077 (1.96) | .040 (1.02) | .031 (0.79) | .060 (1.50) | .029 (0.74) | .282 (7.16) | .188 (4.78) |
| | 460-3368 -01 | .282 (7.16) | .306 (7.77) | .105 (2.67) | .077 (1.96) | .062 (1.57) | .031 (0.79) | .060 (1.52) | .029 (0.74) | .282 (7.16) | .188 (4.78) |
| | 460-3369 -01 | .200 (5.08) | .306 (7.77) | .105 (2.67) | - | .080 (2.03) | .031 (0.79) | .060 (1.52) | .029 (0.74) | .282 (7.16) | - |
| | -02 | .375 (9.53) | | | | | | | | | |
| -03 | .500 (12.70) | | | | | | | | | | |
| 2 | 460-3299 -01 | .200 (5.08) | 2.96 (7.52) | .141 (3.58) | - | .080 (2.03) | .046 (1.17) | .076 (1.93) | .040 (1.02) | .267 (6.78) | - |
| | -02 | .375 (9.53) | | | | | | | | | |
| | -03 | .500 (12.70) | | | | | | | | | |
| 3 | 460-3050 -01 | .125 (3.18) | .188 (4.78) | .062 (1.57) | - | .025 (0.64) | .032 (0.81) | .048 (1.22) | .025 (0.64) | .166 (4.22) | - |
| Also available with black Polyolefin Sleeve as 461-3102-01-XX-10 | | | | | | | | | | | |

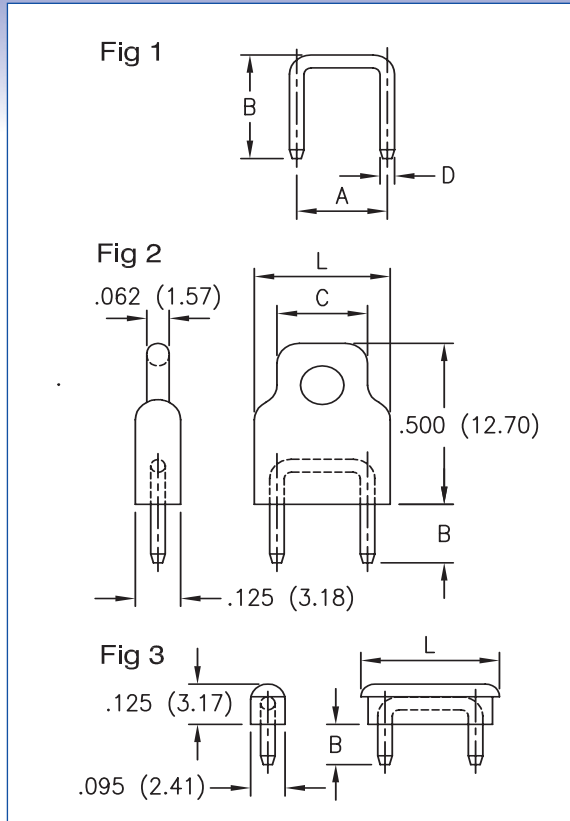
460-3050 / 461-3102
Recommended hook-up wire size - # 28AWG, 7 strands # 36 AWG copper wire plastic insulated
.039 (0.99) Max. Diameter over Insulation

460-3308 / 460-3368 / 460-3369
Recommended hook-up wire size - # 22AWG, 7 strands # 30 AWG copper wire PTFE insulated
.053 (1.37) Max. Diameter over Insulation
Socket also accommodates # 20 AWG, 7 strands # 28 AWG copper wire insulated
24 AWG, 7 strands # 32 AWG copper wire insulated

460-3299
Recommended hook-up wire size - # 20AWG, 7 strands # 28 AWG copper wire PTFE insulated
Socket also accommodates # 18 AWG, 7 strands # 26 AWG copper wire, insulated
16 AWG, 19 strands # 29 AWG copper wire, insulated

SHORTING LINKS - PLUG

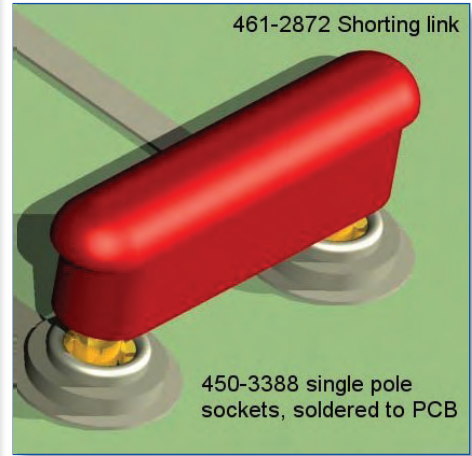
Dimensions in inches (mm)



How to order code

XXX - XXXX - XX - 03 - XX

Basic Part No. | Insulator Colour (where applicable) | Pin Finish



Typical application

| Material Code Table | | |
|---------------------|---------------|------|
| Component | Material | RoHS |
| Pin | Brass | ✓ |
| Insulation | Polypropylene | ✓ |

| Finish Code Table | | |
|-------------------|------------------|------|
| Dash No. | Pin Finish | RoHS |
| -03 | Gold over Nickel | ✓ |

| Insulation Colour Code Table | |
|------------------------------|--------|
| Dash No. | Colour |
| -00 | None |
| -10 | Black |
| -12 | Red |
| -16 | Blue |

| Fig. | Basic Part No. | A | L | B | C | D |
|------|----------------|--------------|--------------|-------------|--------------|-------------|
| 1 | 360-0004 -01 | .200 (5.08) | - | .200 (5.08) | - | .025 (0.64) |
| | -02 | .250 (6.35) | - | - | - | - |
| | -03 | .300 (7.62) | - | - | - | - |
| | -04 | .400 (10.16) | - | - | - | - |
| | -05 | .500 (12.70) | - | - | - | - |
| | 360-0017 -01 | .200 (5.08) | - | .261 (6.63) | - | .040 (1.02) |
| | -02 | .250 (6.35) | - | - | - | - |
| | -03 | .300 (7.62) | - | - | - | - |
| | -04 | .400 (10.16) | - | - | - | - |
| | -05 | .500 (12.70) | - | - | - | - |
| 2 | 461-2871 -01 | .200 (5.08) | .375 (9.53) | .181 (4.60) | .250 (6.35) | .040 (1.02) |
| | -02 | .250 (6.35) | - | - | - | - |
| | 461-3771 -01 | .400 (10.16) | .620 (15.75) | .181 (4.60) | .432 (10.97) | .040 (1.02) |
| | -02 | .500 (12.70) | - | - | - | - |
| 3 | 461-2251 -01 | .200 (5.08) | .334 (8.48) | .125 (3.18) | - | .025 (0.64) |
| | -02 | .250 (6.35) | .384 (9.75) | - | - | - |
| | -03 | .300 (7.62) | .434 (11.02) | - | - | - |
| | -04 | .400 (10.16) | .534 (13.56) | - | - | - |
| | -05 | .500 (12.70) | .634 (16.10) | - | - | - |
| | 461-2872 -01 | .200 (5.08) | .334 (8.48) | .181 (4.60) | - | .040 (1.02) |
| | -02 | .250 (6.35) | .384 (9.75) | - | - | - |
| | -03 | .300 (7.62) | .434 (11.02) | - | - | - |
| | -04 | .400 (10.16) | .534 (13.56) | - | - | - |
| | -05 | .500 (12.70) | .634 (16.10) | - | - | - |



Стандарт Электрон Связь

Мы молодая и активно развивающаяся компания в области поставок электронных компонентов. Мы поставляем электронные компоненты отечественного и импортного производства напрямую от производителей и с крупнейших складов мира.

Благодаря сотрудничеству с мировыми поставщиками мы осуществляем комплексные и плановые поставки широчайшего спектра электронных компонентов.

Собственная эффективная логистика и склад в обеспечивает надежную поставку продукции в точно указанные сроки по всей России.

Мы осуществляем техническую поддержку нашим клиентам и предпродажную проверку качества продукции. На все поставляемые продукты мы предоставляем гарантию .

Осуществляем поставки продукции под контролем ВП МО РФ на предприятия военно-промышленного комплекса России , а также работаем в рамках 275 ФЗ с открытием отдельных счетов в уполномоченном банке. Система менеджмента качества компании соответствует требованиям ГОСТ ISO 9001.

Минимальные сроки поставки, гибкие цены, неограниченный ассортимент и индивидуальный подход к клиентам являются основой для выстраивания долгосрочного и эффективного сотрудничества с предприятиями радиоэлектронной промышленности, предприятиями ВПК и научно-исследовательскими институтами России.

С нами вы становитесь еще успешнее!

Наши контакты:

Телефон: +7 812 627 14 35

Электронная почта: sales@st-electron.ru

Адрес: 198099, Санкт-Петербург,
Промышленная ул, дом № 19, литера Н,
помещение 100-Н Офис 331