

PUSH-BUTTON PENDANT PRODUCTS



WOODHEAD® PUSH-BUTTON PENDANT PRODUCTS ARE ERGONOMICALLY DESIGNED HAND-HELD CONTROL BOXES, AVAILABLE IN A WIDE RANGE OF INDUSTRIAL-GRADE PENDANTS AND ENCLOSURES THAT FEATURE COMPACT WATERTITE® NYLON OR DURABLE NEÖTEX® RUBBER CONSTRUCTION

Watertite pendant stations are rugged enough to withstand the most hostile industrial environments, yet ergonomically designed to fit an operator's hand. Super-Safeway® pushbutton pendant stations feature NEÖTEX rubber construction to protect buttons from industrial elements. Weather-resistant pushbutton covers transform your F.S./F.D. box into a pendant station. Constructed of NEÖTEX rubber, the cover includes integral push buttons that can be wired normally-open or normally-closed.

FEATURES AND BENEFITS

| | |
|--|---|
| Ergonomic design | Increased user comfort and satisfaction |
| Available in Watertite and Super-Safeway constructions | Suitable for a wide range of applications |
| NEÖTEX rubber construction | Optimum resistance to the effects of heat, cold, abrasion and chemicals |

APPLICATIONS

- Automated assembly equipment
- Automatic doors
- Automation controllers
- Automation equipment
- Automotive plants
- Workstations

Pushbuttons Watertite® Pendant Station



Features and Benefits

- Lightweight, polycarbonate pendant enclosure is double insulated, UV stabilized and chemically resistant to provide long life
- Ergonomic design fits easily in the palm of your hand for greater comfort and reduced fatigue
- Single and two-speed button pairs have mechanical interlocks for improved safety
- The common circuit is pre-wired to save installation time
- An elastic, chemically resistant gasket ensures a tight seal between front and back
- MAX-LOC® strain relief included as standard to provide maximum cord pull-out resistance

Reference Information

UL File No.: E70531



Physical

Pendant Housing: Polycarbonate

Switches: 3A, 125/250V

Single and Two-Speed Switch Pairs: Mechanically interlocked

Cover Face Screws: Stainless Steel

Gasket and O-Ring Seal: Rubber

Cord Connection; MAX-LOC nylon strain relief with rubber grommet

Cord Grip Body Size: F3 ¾"

Cord Diameter: 9.53 to 20.63mm (.375 to .812")

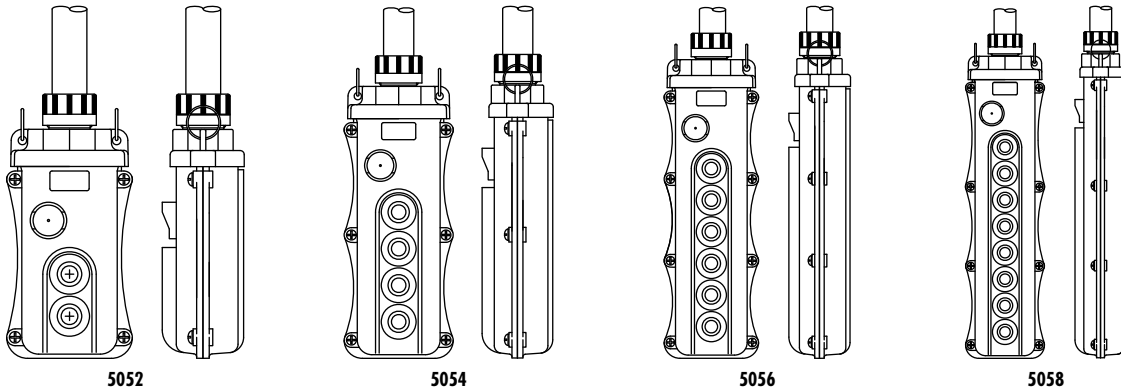
Environmental

Rating: Wet industrial duty

NEMA Enclosure Rating: NEMA 4X, IP56

Temperature Rating: -10 to 150°F

Test/Control



| Number of Buttons | Number of Speeds | M = Momentary; N = Maintained | Woodhead No.* | Order No. |
|-------------------|------------------|----------------------------------|---------------|-------------|
| 2 | 1 | | 5052-1 | 130126-0243 |
| 2 | N/A | M | 5052-M | 130126-0246 |
| 2 | N/A | N | 5052-N | 130126-0247 |
| 4 | 1 | | 5054-1 | 130126-0248 |
| 4 | 1 | M | 5054-1M | 130126-0249 |
| 4 | 1 | N | 5054-1N | 130126-0250 |
| 4 | 2 | | 5054-2 | 130126-0251 |
| 6 | 1 | | 5056-1 | 130126-0256 |
| 6 | 1 | M | 5056-1M | 130126-0257 |
| 6 | 1 | N | 5056-1N | 130126-0258 |
| 6 | 2 | M | 5056-2M | 130126-0260 |
| 8 | 1 | | 5058-1 | 130126-0262 |
| 8 | 1 | M | 5058-1M | 130126-0263 |
| 8 | 1 | N | 5058-1N | 130126-0264 |
| 8 | 2 | M | 5058-2M | 130126-0266 |
| 8 | 3 | M | 5058-3M | 130126-0268 |

* Momentary and Maintained refer to On/Off buttons only in first and second positions.

Accessory/Replacement Parts†

| Description | Woodhead No. | Order No. |
|--|--------------|-------------|
| 2-position selector switch† | 505SS-2 | 130126-0025 |
| 3-position selector switch—NO In Center† | 505SS-3NO | 130126-0027 |
| 2-button single speed switch—1 NO | 505SW-1 | 130126-0028 |
| 2-button single speed switch—2 NO | 505SW-12NO | 130126-0029 |
| 2-button single speed switch—NO/NC | 505SW-1NONC | 130126-0030 |
| 2-button 2-speed switch—1 NO | 505SW-2 | 130126-0031 |
| 2-button switch Momentary On/Off—NO/NC | 505SW-M | 130126-0033 |
| 2-button switch Maintained On/Off—NO/NC | 505SW-N | 130126-0034 |
| Pilot light, green, shroud mount | 505PL-GS | 130126-0021 |
| Pilot light, red, shroud mount | 505PL-RS | 130126-0022 |
| Pilot light, white, shroud mount | 505PL-YS | 130126-0023 |
| Red mushroom On/Off switch† | 505B-RM | 130126-0012 |
| Button cover, Black high ambient chemical resistance | 505BC-C | 130126-0008 |
| Button cover legend sheet | 505BC-L | 130126-0009 |

† See Strain Relief Grips for wiring device, enclosure boxes for additional support

† Requires larger hole in enclosure if done as a retrofit

Dimensions

| Length with MAX-LOC | Width | Depth | Woodhead Series No. |
|---------------------|------------|------------|---------------------|
| 18.8cm 7.4" | 8.9cm 3.5" | 5.8cm 2.3" | 5052 |
| 24.9cm 9.8" | | | 5054 |
| 30.7cm 12.1" | | | 5056 |
| 36.8cm 14.5" | | | 5058 |

Pushbuttons Watertite® Pendant Station

Test/Control



Features and Benefits

- Lightweight, polycarbonate pendant enclosure is double insulated, UV stabilized and chemically resistant to provide long life
- Ergonomic design fits easily in the palm of your hand for greater comfort and reduced fatigue
- Single speed, double-throw, momentary contacts can be wired either normally-open or normally-closed for complete application flexibility
- An elastic, chemically resistant gasket ensures a tight seal between front and back
- MAX-LOC® strain relief included as standard to provide maximum cord pull-out resistance

Reference Information

UL File No.: See switch rating
CSA File No.: LR32400



Physical

Pendant Housing: Nylon
Switches: Single-speed, double throw, momentary type, fine sliver, SPDT-DB
Cover Face Screws: Stainless Steel
Pushbutton Diaphragm Seal: Rubber
Cover Gasket Seal: Neoprene
Cord Connection: MAX-LOC nylon strain relief with rubber grommet
Nameplate Set: 35 self-adhesive, pre-printed labels on one acetate sheet
Cord Grip Body Size: F2 1/2"
Cord Diameter: 7.92 to 15.88mm (.312 to .625")

Environmental

Rating: Wet industrial duty
NEMA Enclosure Rating: NEMA IP67

| Number of Buttons | Body Color | Woodhead No. | Order No. |
|-------------------|------------|--------------|-------------|
| 2 | Yellow | 4052 | 130126-0231 |
| 2 | Black | 4052BLK | 130126-0232 |

Switch Characteristics

| Dimensions | Contact Arrangement: Single speed SPDT-DB | |
|-------------------------------|--|--|
| | Continuous | Control |
| <p>Dimensions — Inch.(cm)</p> | 10A @ 125 to 250V AC* 1/2 HP @ 125V AC* 3/4 HP @ 250V AC* 1 HP @ 125V AC or 250V AC 10A 28V DC Inductive 15A 28V DC Resistive | 120VAC 60A Make 6A Break 240VAC 30A Make 3A Break A-300 Contact rating Per U.L. Std. 508 |

* UL listed and CSA certified

Replacement Parts†

| Description | Woodhead No. | Order No. |
|--|--------------|-------------|
| Replacement switch—one speed, momentary | 42-2190 | 130186-0318 |
| Rubber switch diaphragm | 00-5150 | 130180-0468 |
| Legend kit—labels, function pushbutton station | 31-5800 | 130228-0721 |

† See Strain Relief Grips for wiring device/enclosure boxes for additional support

Pushbuttons Super-Safeway™ Pendant Station



Features and Benefits

- Unique, industry-leading, NEOTEX® Paracril OZO rubber pendant stations yield the best performance for abrasion, chemical exposure and temperature extremes
- Ergonomic design fits easily in the palm of your hand for greater comfort and reduced fatigue
- Housing to cover fitted with tongue and groove design for best sealing performance
- Pushbuttons are not exposed beyond enclosure face to prevent unwanted activation and button protection
- Single and two-speed buttons can be wired as an electrical interlock for improved safety
- An elastic, chemically resistant gasket ensures a tight seal between front and back
- MAX-LOC® strain relief included as standard to provide maximum cord pull-out resistance
- Built-in ground connection saves installation time

Reference Information

CSA certified switches: LR32400



Physical

Pendant Cover and Housing: : NEOTEX Paracril OZO rubber
Messenger Cable Bracket and Cover Screws: Steel Zinc-plated
Gasket and O-Ring Seal: Neoprene
Cord Connection; MAX-LOC nylon strain relief with rubber grommet
Nameplate Set: 35 self-adhesive, pre-printed labels on one acetate sheet

Environmental

Rating: 4022—Rain Tight
4024, 4026, 4028—Testing pending

Test/Control



| Number of Buttons | Cord Grip Body Size* | Number of Speeds | Emergency Stop | Cord Diameter | Woodhead No. | Order No. |
|-------------------|----------------------|------------------|----------------|----------------------------|--------------|-------------|
| 2 | F3 3/4" | 1 | | 12.70–17.45mm (.500–.687") | 4022 | 130126-0199 |
| 2 | F3 3/4" | 1 | Yes | 12.70–17.45mm (.500–.687") | 4022ES | 130126-0204 |
| 2 | F3 3/4" | 2 | | 12.70–17.45mm (.500–.687") | 4022-2 | 130126-0200 |
| 3 | F3 3/4" | 1 | | 12.70–19.05mm (.500–.750") | 4023 | 130126-0207 |
| 3 | F3 3/4" | 1 | Yes | 12.70–19.05mm (.500–.750") | 4023ES | 130126-0209 |
| 3 | F3 3/4" | 2 | | 12.70–19.05mm (.500–.750") | 4023-2 | 130126-0208 |
| 4 | F3 3/4" | 1 | | 12.70–19.05mm (.500–.750") | 4024 | 130126-0212 |
| 4 | F3 3/4" | 1 | Yes | 12.70–19.05mm (.500–.750") | 4024ES | 130126-0214 |
| 4 | F3 3/4" | 2 | | 12.70–19.05mm (.500–.750") | 4024-2 | 130126-0213 |
| 6 | F3 3/4" | 1 | | 14.27–20.63mm (.562–.812") | 4026 | 130126-0218 |
| 6 | F4 1" | 1 | Yes | 17.45–23.80mm (.687–.937") | 4026ES | 130126-0222 |
| 6 | F3 3/4" | 2 | | 14.27–20.63mm (.562–.812") | 4026-2 | 130126-0219 |
| 8 | F4 1" | 1 | | 17.45–23.80mm (.687–.937") | 4028 | 130126-0036 |
| 8 | F3 3/4" | 1 | Yes | 14.27–20.63mm (.562–.812") | 4028ES | 130126-0226 |
| 8 | F4 1" | 2 | | 17.45–23.80mm (.687–.937") | 4028-2 | 130126-0224 |

* F3 nut is non-metallic. F4 nut is metallic.

Switch Ratings

| Single Speed | Two Speed | Maintain |
|----------------------|----------------------|-----------------------|
| 20A @ 125 to 250V AC | 10A @ 125 or 250V AC | 16A @ 125V AC |
| 25A @ 24V DC | 1/3 HP @ 125V | 8A @ 250V AC |
| 0.5A @ 250V DC | 1/2 HP @ 250V | 1 HP @ 125 or 250V AC |
| 1 HP @ 125V AC | | |
| 2 HP @ 250V AC | | |

Dimensions

| Pendant Pushbutton Station | Length | Width | Depth | Woodhead No. | Order No. |
|----------------------------|-----------------|---------------|---------------|--------------|-------------|
| | 14.9cm (5.88") | 7.6cm (3.00") | 6.7cm (2.66") | 4022 | 130126-0199 |
| | 19.0cm (7.50") | 7.6cm (3.00") | 6.7cm (2.66") | 4023 | 130126-0207 |
| | 23.1cm (9.13") | 7.6cm (3.00") | 6.7cm (2.66") | 4022ES | 130126-0204 |
| | 27.3cm (10.75") | 7.6cm (3.00") | 6.7cm (2.66") | 4024 | 130126-0212 |
| | 40.0cm (15.75") | 7.6cm (3.00") | 6.7cm (2.66") | 4023ES | 130126-0209 |
| | 46.3cm (18.25") | 7.6cm (3.00") | 6.7cm (2.66") | 4026 | 130126-0218 |
| | | | | 4024ES | 130126-0214 |
| | | | | 4028 | 130126-0036 |
| | | | | 4026ES | 130126-0222 |
| | | | | 4028ES | 130126-0226 |

Replacement Gasket Kits

| Number of Buttons | Woodhead No. | Order No. |
|-------------------|--------------|-------------|
| 2 | 4022G | 130126-0205 |
| 3 | 4023G | 130126-0210 |
| 4 | 4024G | 130126-0216 |
| 6 | 4026G | 130126-0223 |
| 8 | 4028G | 130126-0227 |

Replacement Switches

| Description | Emergency Stop | Enclosure Rating | Number of Speeds | Woodhead No. | Order No. |
|------------------------------------|----------------|------------------|------------------|--------------|-------------|
| Red mushroom on/off switch | Yes | NEMA 4X | | 505B-RM | 130126-0012 |
| 4020 replacement switch | | | 1 | 4020 | 130128-0100 |
| 4020-2 replacement switch, 2-speed | | | 2 | 4020-2 | 130128-0101 |
| Legend Kit | | | | 71-4220 | 130203-1295 |

Replacement Covers

| Description | Number of Buttons | Woodhead No. | Order No. |
|------------------------|-------------------|--------------|-------------|
| Replacement cover 4022 | 2 | 00-3063 | 130128-0079 |
| Replacement cover 4023 | 3 | 00-3823 | 130128-0082 |
| Replacement cover 4024 | 4 | 00-3073 | 130128-0080 |
| Replacement cover 4026 | 6 | 00-3083 | 130128-0081 |
| Replacement cover 4028 | 8 | 00-0463 | 130128-0078 |

Pushbuttons Super-Safeway™ Pushbutton Covers for FS/FD Boxes

Test/Control

F



Features and Benefits

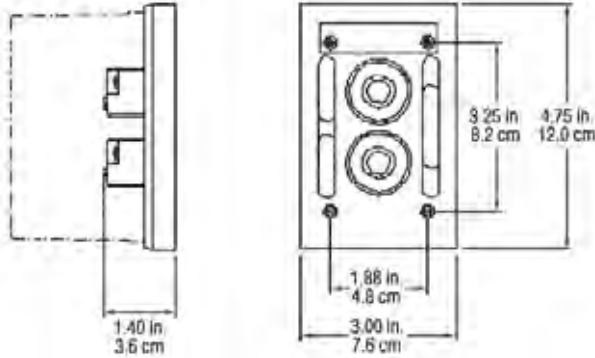
- Unique, industry-leading, NEoTEX® Paracril OZO rubber pendant covers yield the best performance for abrasion, chemical exposure and temperature extremes
- Switches can be wired as normally open or normally closed for flexibility of application
- The cover has integral pushbuttons which operate mechanically coupled pushbutton contact blocks for time-saving installation
- Switches function as single speed or two speed momentary contact operation for flexibility of application
- Single speed function can be wired as electrically interlocked for improved safety
- Switches mounted on molded-in steel mounting plate

Physical

Pendant Cover: NEoTEX Paracril OZO rubber
Nameplate Set: 35 self-adhesive, pre-printed labels on one acetate sheet

Environmental

Rating: Indoor damp location



Switch Ratings

| Single Speed | Two Speed |
|---------------------|---------------------|
| 20A @ 125 to 480VAC | 10A @ 125 or 250VAC |
| 5A @ 600VAC | 1/3 HP @ 125V |
| 1 HP @ 125VAC | 1/2 HP @ 250V |
| 2 HP @ 250VAC | |

Covers for FS/FD Boxes*

| Color | Number of Speeds | Woodhead No. | Order No. |
|--------|------------------|--------------|-------------|
| Yellow | 1 | 4032 | 130126-0228 |
| Yellow | 2 | 4032-2 | 130126-0229 |
| Black | 1 | 4032BLK | 130126-0230 |

* For FS/FD boxes, see Power Distribution FS/FD Boxes and Coverplates

Pushbuttons Super-Safeway™ Pendant Pushbutton Enclosures



Features and Benefits

- Unique, industry-leading, NEōTEX® Paracril OZO rubber pendant enclosures yield the best performance for abrasion, chemical exposure and temperature extremes
- Accepts industry standard 30mm and 22mm pushbutton and pilot devices
- Protective ribs provide recess for pushbutton operators and pilot lights preventing unintended operation and device protection
- Metal suspension bracket allows for messenger cable to support pendant and provide longer operational life of the system
- MAX-LOC® strain relief included as standard to provide maximum cord pull-out resistance
- Internal ground strap common to all pilot devices and cord entry provides for safe electrical operation

Reference Information

CSA File No.: LR32400



Physical

Pendant Housing and Cover: NEōTEX Paracril OZO rubber
Messenger Cable Bracket and Cover Screws: Steel Zinc-plated
Cord Connection; MAX-LOC nylon Strain Relief with rubber grommet

Cover to Housing Screws: Stainless Steel
Ground Strip: Brass

Environmental

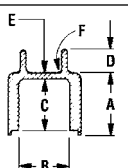
Rating: Industrial duty

Test/Control

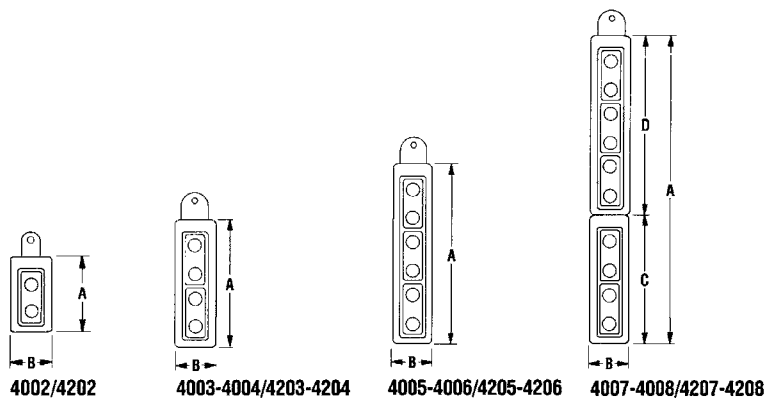
F

| Super-Safeway Pushbutton Enclosure | Opening Size | A | B | C | D | Woodhead No. | Order No. |
|--|--------------|-----------------|---------------|-----------------|-----------------|--------------|-------------|
| Dimensional data for enclosure with 2 openings | 30mm | 15.9cm (6.25") | 8.9cm (3.50") | | | 4002 | 130126-0186 |
| Dimensional data for enclosure with 2 openings | 22mm | | | | | 4202 | 130126-0235 |
| Dimensional data for enclosure with 3 openings | 30mm | 27.3cm (10.75") | | | | 4003 | 130126-0187 |
| Dimensional data for enclosure with 3 openings | 22mm | | | | | 4203 | 130126-0236 |
| Dimensional data for enclosure with 4 openings | 30mm | | | | | 4004 | 130126-0188 |
| Dimensional data for enclosure with 4 openings | 22mm | | | | | 4204 | 130148-0072 |
| Dimensional data for enclosure with 5 openings | 30mm | 38.7cm (15.25") | | 4005 | 130126-0189 | | |
| Dimensional data for enclosure with 5 openings | 22mm | | | 4205 | 130148-0073 | | |
| Dimensional data for enclosure with 6 openings | 30mm | | | 4006 | 130126-0190 | | |
| Dimensional data for enclosure with 6 openings | 22mm | | | 4206 | 130126-0237 | | |
| Dimensional data for enclosure with 7 openings | 30mm | 54.6cm (21.50") | | 38.7cm (15.25") | 38.7cm (15.25") | 4007 | 130126-0192 |
| Dimensional data for enclosure with 7 openings | 22mm | | | | | 4207 | 130126-0238 |
| Dimensional data for enclosure with 8 openings | 30mm | | 4008 | | | 130126-0193 | |
| Dimensional data for enclosure with 8 openings | 22mm | | 4208 | | | 130126-0239 | |

Dimensional Data for Enclosure Cross Section

| Cross Section | A | B | C | D | E | F |
|---|---------------|--------------|---------------|---------------|---------------|-----------------------|
|  | 7.3cm (2.88") | 6.4cm (2.5") | 6.2cm (2.44") | 2.9cm (1.13") | 0.64cm (.25") | 0.48cm (.187") radius |

Dimensional Data for Enclosure



| Super-Safeway Pushbutton Enclosure | A | B | C | D | Woodhead No. |
|---|-----------------|---------------|-----------------|-----------------|---------------------------|
| Dimensional data for enclosure with 2 openings | 15.9cm (6.25") | 8.9cm (3.50") | | | 4002/4202 |
| Dimensional data for enclosure with 3 or 4 openings | 27.3cm (10.75") | 8.9cm (3.50") | | | 4003 to 4004/4203 to 4204 |
| Dimensional data for enclosure with 5 or 6 openings | 38.7cm (15.25") | 8.9cm (3.50") | | | 4005 to 4006/4205 to 4206 |
| Dimensional data for enclosure with 7 or 8 openings | 54.6cm (21.50") | 8.9cm (3.50") | 27.3cm (10.75") | 27.3cm (10.75") | 4007 to 4008/4207 to 4208 |

Pushbuttons Super-Safeway™ Pendant Pushbutton Enclosures

Test/Control

F



- Unique, industry-leading, NEōTEX® Paracril OZO rubber pendant enclosures yield the best performance for abrasion, chemical exposure and temperature extremes
- Accepts industry standard 30mm and 22mm pushbutton and pilot devices
- Protective ribs provide recess for pushbutton operators and pilot lights preventing unintended operation and device protection
- Metal suspension bracket allows for messenger cable to support pendant and provide longer operational life of the system
- MAX-LOC® strain relief included as standard to provide maximum cord pull-out resistance
- Internal ground strap common to all pilot devices and cord entry provides for safe electrical operation

Physical

Pendant Housing and Cover: NEōTEX Paracril OZO rubber
Messenger Cable Bracket and Cover Screws: Steel Zinc-plated
Cord Connection; MAX-LOC nylon Strain Relief with rubber grommet
Cover to Housing Screws: Stainless Steel
Ground Strip: Brass

Environmental

Rating: Wet industrial duty

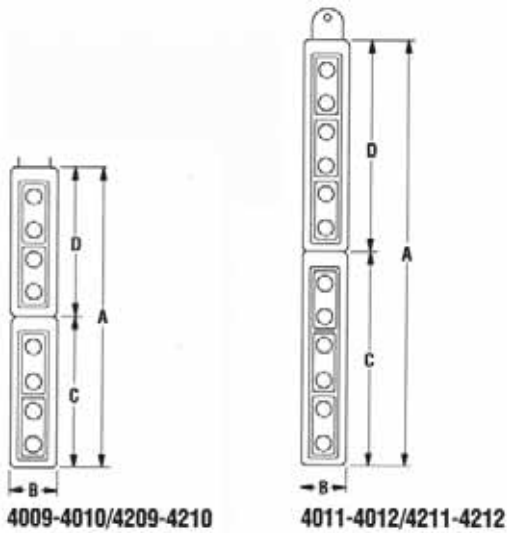
Reference Information

CSA File No.: LR32400



Features and Benefits

Dimensional Data for Enclosure



| Super-Safeway Pushbutton Enclosure | Opening Size | A | B | C | D | Woodhead No. | Order No. |
|---|--------------|-----------------|---------------|-----------------|-----------------|--------------|-------------|
| Dimensional data for enclosure with 9 openings | 30mm | 66.0cm (26.00") | 8.9cm (3.50") | 27.3cm (10.75") | 38.7cm (15.25") | 4009 | 130126-0195 |
| Dimensional data for enclosure with 9 openings | 22mm | | | | | 4209 | 130126-0240 |
| Dimensional data for enclosure with 10 openings | 30mm | | | 4010 | | 130126-0196 | |
| Dimensional data for enclosure with 10 openings | 22mm | | | 4210 | | 130126-0241 | |
| Dimensional data for enclosure with 11 openings | 30mm | 77.5cm (30.50") | | 38.7cm (15.25") | | 4011 | 130126-0197 |
| Dimensional data for enclosure with 12 openings | 30mm | | | | | 4012 | 130126-0198 |
| Dimensional data for enclosure with 12 openings | 22mm | | | | | 4212 | 130126-0242 |

Dimensional Data for Enclosure Cross Section

| Cross Section | A | B | C | D | E | F |
|---------------|---------------|---|---------------|----------------|---------------|--------------------------------|
| | 5.7cm (2.25") | 3.1cm (1.22") for 30mm models, 2.2cm (.866") for 22mm models | 2.9cm (1.13") | 10.8cm (4.25") | 4.4cm (1.75") | .32cm (.125") inside radius |



Стандарт Электрон Связь

Мы молодая и активно развивающаяся компания в области поставок электронных компонентов. Мы поставляем электронные компоненты отечественного и импортного производства напрямую от производителей и с крупнейших складов мира.

Благодаря сотрудничеству с мировыми поставщиками мы осуществляем комплексные и плановые поставки широчайшего спектра электронных компонентов.

Собственная эффективная логистика и склад в обеспечивает надежную поставку продукции в точно указанные сроки по всей России.

Мы осуществляем техническую поддержку нашим клиентам и предпродажную проверку качества продукции. На все поставляемые продукты мы предоставляем гарантию .

Осуществляем поставки продукции под контролем ВП МО РФ на предприятия военно-промышленного комплекса России , а также работаем в рамках 275 ФЗ с открытием отдельных счетов в уполномоченном банке. Система менеджмента качества компании соответствует требованиям ГОСТ ISO 9001.

Минимальные сроки поставки, гибкие цены, неограниченный ассортимент и индивидуальный подход к клиентам являются основой для выстраивания долгосрочного и эффективного сотрудничества с предприятиями радиоэлектронной промышленности, предприятиями ВПК и научно-исследовательскими институтами России.

С нами вы становитесь еще успешнее!

Наши контакты:

Телефон: +7 812 627 14 35

Электронная почта: sales@st-electron.ru

Адрес: 198099, Санкт-Петербург,
Промышленная ул, дом № 19, литера Н,
помещение 100-Н Офис 331