

## Dual J-K̄ Flip-Flop with Set and Reset Positive-Edge Trigger

### Features

- Asynchronous Set and Reset
- Schmitt Trigger Clock Inputs
- Typical  $f_{MAX} = 54\text{MHz}$  at  $V_{CC} = 5\text{V}$ ,  $C_L = 15\text{pF}$ ,  $T_A = 25^\circ\text{C}$
- Fanout (Over Temperature Range)
  - Standard Outputs . . . . . 10 LSTTL Loads
  - Bus Driver Outputs . . . . . 15 LSTTL Loads
- Wide Operating Temperature Range . . .  $-55^\circ\text{C}$  to  $125^\circ\text{C}$
- Balanced Propagation Delay and Transition Times
- Significant Power Reduction Compared to LSTTL Logic ICs
- HC Types
  - 2V to 6V Operation
  - High Noise Immunity:  $N_{IL} = 30\%$ ,  $N_{IH} = 30\%$  of  $V_{CC}$  at  $V_{CC} = 5\text{V}$
- HCT Types
  - 4.5V to 5.5V Operation
  - Direct LSTTL Input Logic Compatibility,  $V_{IL} = 0.8\text{V}$  (Max),  $V_{IH} = 2\text{V}$  (Min)
  - CMOS Input Compatibility,  $I_I \leq 1\mu\text{A}$  at  $V_{OL}$ ,  $V_{OH}$

### Description

The 'HC109 and 'HCT109 are dual J-K̄ flip-flops with set and reset. The flip-flop changes state with the positive transition of Clock (1CP and 2CP).

The flip-flop is set and reset by active-low  $\bar{S}$  and  $\bar{R}$ , respectively. A low on both the set and reset inputs simultaneously will force both Q and  $\bar{Q}$  outputs high. However, both set and reset going high simultaneously results in an unpredictable output condition.

### Ordering Information

| PART NUMBER   | TEMP. RANGE (°C) | PACKAGE      |
|---------------|------------------|--------------|
| CD54HC109F3A  | -55 to 125       | 16 Ld CERDIP |
| CD54HCT109F3A | -55 to 125       | 16 Ld CERDIP |
| CD74HC109E    | -55 to 125       | 16 Ld PDIP   |
| CD74HC109M    | -55 to 125       | 16 Ld SOIC   |
| CD74HC109MT   | -55 to 125       | 16 Ld SOIC   |
| CD74HC109M96  | -55 to 125       | 16 Ld SOIC   |
| CD74HCT109E   | -55 to 125       | 16 Ld PDIP   |
| CD74HCT109M   | -55 to 125       | 16 Ld SOIC   |
| CD74HCT109MT  | -55 to 125       | 16 Ld SOIC   |
| CD74HCT109M96 | -55 to 125       | 16 Ld SOIC   |

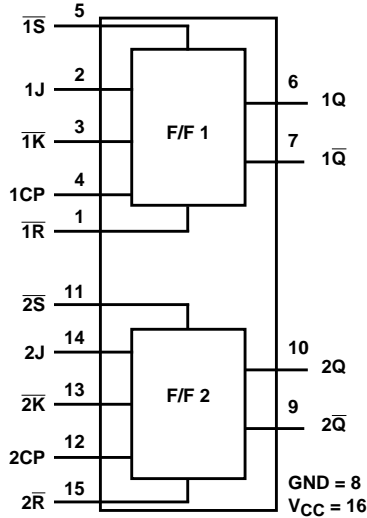
### Pinout

CD54HC109, CD54HCT109  
(CERDIP)  
CD74HC109, CD74HCT109  
(PDIP, SOIC)  
TOP VIEW



NOTE: When ordering, use the entire part number. The suffix 96 denotes tape and reel. The suffix T denotes a small-quantity reel of 250.

**Functional Diagram**



**TRUTH TABLE**

| INPUTS    |           |            |   |           | OUTPUTS    |            |
|-----------|-----------|------------|---|-----------|------------|------------|
| $\bar{S}$ | $\bar{R}$ | CP         | J | $\bar{K}$ | Q          | $\bar{Q}$  |
| L         | H         | X          | X | X         | H          | L          |
| H         | L         | X          | X | X         | L          | H          |
| L         | L         | X          | X | X         | H (Note 1) | H (Note 1) |
| H         | H         | $\uparrow$ | L | L         | L          | H          |
| H         | H         | $\uparrow$ | H | L         | Toggle     |            |
| H         | H         | $\uparrow$ | L | H         | No Change  |            |
| H         | H         | $\uparrow$ | H | H         | H          | L          |
| H         | H         | L          | X | X         | No Change  |            |

H= High Level (Steady State)

L= Low Level (Steady State)

X= Don't Care

$\uparrow$ = Low-to-High Transition

NOTE:

1. Unpredictable and unstable condition if both  $\bar{S}$  and  $\bar{R}$  go high simultaneously

**Logic Diagram**



# CD54HC109, CD74HC109, CD54HCT109, CD74HCT109

## Absolute Maximum Ratings

|  |             |
|--|-------------|
| DC Supply Voltage, $V_{CC}$ .....                      | -0.5V to 7V |
| DC Input Diode Current, $I_{IK}$                       |             |
| For $V_I < -0.5V$ or $V_I > V_{CC} + 0.5V$ .....       | $\pm 20mA$  |
| DC Drain Current, per Output, $I_O$                    |             |
| For $-0.5V < V_O < V_{CC} + 0.5V$ .....                | $\pm 25mA$  |
| DC Output Diode Current, $I_{OK}$                      |             |
| For $V_O < -0.5V$ or $V_O > V_{CC} + 0.5V$ .....       | $\pm 20mA$  |
| DC Output Source or Sink Current per Output Pin, $I_O$ |             |
| For $V_O > -0.5V$ or $V_O < V_{CC} + 0.5V$ .....       | $\pm 25mA$  |
| DC $V_{CC}$ or Ground Current, $I_{CC}$ .....          | $\pm 50mA$  |

## Thermal Information

|  |  |
|--|--|
| Thermal Resistance (Typical, Note 2)                         | $\theta_{JA}$ ( $^{\circ}C/W$ )            |
| E (PDIP) Package .....                                       | 67   |
| M (SOIC) Package .....                                       | 73   |
| Maximum Junction Temperature (Hermetic Package or Die) . . . | 175 $^{\circ}C$                            |
| Maximum Junction Temperature (Plastic Package) .....         | 150 $^{\circ}C$                            |
| Maximum Storage Temperature Range .....                      | -65 $^{\circ}C$ to 150 $^{\circ}C$         |
| Maximum Lead Temperature (Soldering 10s) .....               | 300 $^{\circ}C$<br>(SOIC - Lead Tips Only) |

## Operating Conditions

|   |                                    |
|---|------------------------------------|
| Temperature Range, $T_A$ .....                                  | -55 $^{\circ}C$ to 125 $^{\circ}C$ |
| Supply Voltage Range, $V_{CC}$                                  |                                    |
| HC Types .....  | .2V to 6V                          |
| HCT Types .....   | 4.5V to 5.5V                       |
| DC Input or Output Voltage, $V_I, V_O$ .....                    | 0V to $V_{CC}$                     |
| $C_P$ Input Rise and Fall Time, $t_r, t_f$                      |                                    |
| 2V .....  | 1.0ms (Max)                        |
| 4.5V .....  | 1.0ms (Max)                        |
| 6V .....  | 1.0ms (Max)                        |
| Input Rise and Fall Time (All Inputs Except $C_P$ ), $t_r, t_f$ |                                    |
| 2V .....  | 1000ns (Max)                       |
| 4.5V .....  | 500ns (Max)                        |
| 6V .....  | 400ns (Max)                        |

CAUTION: Stresses above those listed in "Absolute Maximum Ratings" may cause permanent damage to the device. This is a stress only rating and operation of the device at these or any other conditions above those indicated in the operational sections of this specification is not implied.

### NOTE:

- The package thermal impedance is calculated in accordance with JESD 51-7

## DC Electrical Specifications

| PARAMETER                               | SYMBOL   | TEST CONDITIONS         |            | $V_{CC}$ (V) | 25 $^{\circ}C$ |      |      | -40 $^{\circ}C$ TO 85 $^{\circ}C$ |      | -55 $^{\circ}C$ TO 125 $^{\circ}C$ |      | UNITS |   |
|---|----------|-------------------------|------------|--------------|----------------|------|------|-----------------------------------|------|------------------------------------|------|-------|---|
|   |          | $V_I$ (V)               | $I_O$ (mA) |              | MIN            | TYP  | MAX  | MIN                               | MAX  | MIN                                | MAX  |       |   |
| <b>HC TYPES</b>                         |          |                         |            |              |                |      |      |                                   |      |                                    |      |       |   |
| High Level Input Voltage                | $V_{IH}$ | -                       | -          | 2            | 1.5            | -    | -    | 1.5                               | -    | 1.5                                | -    | V     |   |
|   |          |                         |            | 4.5          | 3.15           | -    | -    | 3.15                              | -    | 3.15                               | -    | V     |   |
|   |          |                         |            | 6            | 4.2            | -    | -    | 4.2                               | -    | 4.2                                | -    | V     |   |
| Low Level Input Voltage                 | $V_{IL}$ | -                       | -          | 2            | -              | -    | 0.5  | -                                 | 0.5  | -                                  | 0.5  | V     |   |
|   |          |                         |            | 4.5          | -              | -    | 1.35 | -                                 | 1.35 | -                                  | 1.35 | V     |   |
|   |          |                         |            | 6            | -              | -    | 1.8  | -                                 | 1.8  | -                                  | 1.8  | V     |   |
| High Level Output Voltage<br>CMOS Loads | $V_{OH}$ | $V_{IH}$ or<br>$V_{IL}$ | -0.02      | 2            | 1.9            | -    | -    | 1.9                               | -    | 1.9                                | -    | V     |   |
|   |          |                         |            | 4.5          | 4.4            | -    | -    | 4.4                               | -    | 4.4                                | -    | V     |   |
|   |          |                         |            | 6            | 5.9            | -    | -    | 5.9                               | -    | 5.9                                | -    | V     |   |
| High Level Output Voltage<br>TTL Loads  |          |                         |            | -            | -              | -    | -    | -                                 | -    | -                                  | -    | V     |   |
|   |          |                         |            | -4           | 4.5            | 3.96 | -    | -                                 | 3.84 | -                                  | 3.7  | -     | V |
|   |          |                         |            | -5.2         | 6              | 5.48 | -    | -                                 | 5.34 | -                                  | 5.2  | -     | V |

**CD54HC109, CD74HC109, CD54HCT109, CD74HCT109**

**DC Electrical Specifications (Continued)**

| PARAMETER  | SYMBOL                    | TEST CONDITIONS                    |                     | V <sub>CC</sub> (V) | 25°C |     |      | -40°C TO 85°C |      | -55°C TO 125°C |     | UNITS |   |
|--|---------------------------|------------------------------------|---------------------|---------------------|------|-----|------|---------------|------|----------------|-----|-------|---|
|  |                           | V <sub>I</sub> (V)                 | I <sub>O</sub> (mA) |                     | MIN  | TYP | MAX  | MIN           | MAX  | MIN            | MAX |       |   |
| Low Level Output Voltage<br>CMOS Loads                         | V <sub>OL</sub>           | V <sub>IH</sub> or V <sub>IL</sub> | 0.02                | 2                   | -    | -   | 0.1  | -             | 0.1  | -              | 0.1 | V     |   |
|  |                           |                                    |                     | 4.5                 | -    | -   | 0.1  | -             | 0.1  | -              | 0.1 | V     |   |
|  |                           |                                    |                     | 6                   | -    | -   | 0.1  | -             | 0.1  | -              | 0.1 | V     |   |
| Low Level Output Voltage<br>TTL Loads                          | V <sub>OL</sub>           | V <sub>IH</sub> or V <sub>IL</sub> | -                   | -                   | -    | -   | -    | -             | -    | -              | -   | V     |   |
|  |                           |                                    |                     | 4                   | 4.5  | -   | -    | 0.26          | -    | 0.33           | -   | 0.4   | V |
|  |                           |                                    |                     | 5.2                 | 6    | -   | -    | 0.26          | -    | 0.33           | -   | 0.4   | V |
| Input Leakage Current  | I <sub>I</sub>            | V <sub>CC</sub> or GND             | -                   | 6                   | -    | -   | ±0.1 | -             | ±1   | -              | ±1  | μA    |   |
| Quiescent Device Current                                       | I <sub>CC</sub>           | V <sub>CC</sub> or GND             | 0                   | 6                   | -    | -   | 4    | -             | 40   | -              | 80  | μA    |   |
| <b>HCT TYPES</b>   |                           |                                    |                     |                     |      |     |      |               |      |                |     |       |   |
| High Level Input Voltage                                       | V <sub>IH</sub>           | -                                  | -                   | 4.5 to 5.5          | 2    | -   | -    | 2             | -    | 2              | -   | V     |   |
| Low Level Input Voltage  | V <sub>IL</sub>           | -                                  | -                   | 4.5 to 5.5          | -    | -   | 0.8  | -             | 0.8  | -              | 0.8 | V     |   |
| High Level Output Voltage<br>CMOS Loads                        | V <sub>OH</sub>           | V <sub>IH</sub> or V <sub>IL</sub> | -0.02               | 4.5                 | 4.4  | -   | -    | 4.4           | -    | 4.4            | -   | V     |   |
| High Level Output Voltage<br>TTL Loads                         |                           |                                    | -4                  | 4.5                 | 3.98 | -   | -    | 3.84          | -    | 3.7            | -   | V     |   |
| Low Level Output Voltage<br>CMOS Loads                         | V <sub>OL</sub>           | V <sub>IH</sub> or V <sub>IL</sub> | 0.02                | 4.5                 | -    | -   | 0.1  | -             | 0.1  | -              | 0.1 | V     |   |
| Low Level Output Voltage<br>TTL Loads                          |                           |                                    | 4                   | 4.5                 | -    | -   | 0.26 | -             | 0.33 | -              | 0.4 | V     |   |
| Input Leakage Current  | I <sub>I</sub>            | V <sub>CC</sub> and GND            | -                   | 5.5                 | -    | -   | ±0.1 | -             | ±1   | -              | ±1  | μA    |   |
| Quiescent Device Current                                       | I <sub>CC</sub>           | V <sub>CC</sub> or GND             | 0                   | 5.5                 | -    | -   | 4    | -             | 40   | -              | 80  | μA    |   |
| Additional Quiescent Device Current Per Input Pin: 1 Unit Load | ΔI <sub>CC</sub> (Note 3) | V <sub>CC</sub> - 2.1              | -                   | 4.5 to 5.5          | -    | 100 | 360  | -             | 450  | -              | 490 | μA    |   |

NOTE:

3. For dual-supply systems theoretical worst case (V<sub>I</sub> = 2.4V, V<sub>CC</sub> = 5.5V) specification is 1.8mA.

**HCT Input Loading Table**

| INPUT | UNIT LOADS |
|-------|------------|
| All   | 0.3        |

NOTE: Unit Load is ΔI<sub>CC</sub> limit specified in DC Electrical Specifications table, e.g., 360μA max at 25°C.

**CD54HC109, CD74HC109, CD54HCT109, CD74HCT109**

**Prerequisite For Switching Specifications**

| PARAMETER                                  | SYMBOL           | TEST CONDITIONS | V <sub>CC</sub> (V) | 25°C |     |     | -40°C TO 85°C |     | -55°C TO 125°C |     | UNITS |
|--|------------------|-----------------|---------------------|------|-----|-----|---------------|-----|----------------|-----|-------|
|  |                  |                 |                     | MIN  | TYP | MAX | MIN           | MAX | MIN            | MAX |       |
| <b>HC TYPES</b>                            |                  |                 |                     |      |     |     |               |     |                |     |       |
| Setup Time J, $\bar{K}$ , to CP            | t <sub>SU</sub>  | -               | 2                   | 80   | -   | -   | 100           | -   | 120            | -   | ns    |
|  |                  |                 | 4.5                 | 16   | -   | -   | 20            | -   | 24             | -   | ns    |
|  |                  |                 | 6                   | 14   | -   | -   | 17            | -   | 20             | -   | ns    |
| Hold Time J, $\bar{K}$ , to CP             | t <sub>H</sub>   | -               | 2                   | 5    | -   | -   | 5             | -   | 5              | -   | ns    |
|  |                  |                 | 4.5                 | 5    | -   | -   | 5             | -   | 5              | -   | ns    |
|  |                  |                 | 6                   | 5    | -   | -   | 5             | -   | 5              | -   | ns    |
| Removal Time $\bar{R}$ , $\bar{S}$ , to CP | t <sub>REM</sub> | -               | 2                   | 80   | -   | -   | 100           | -   | 120            | -   | ns    |
|  |                  |                 | 4.5                 | 16   | -   | -   | 20            | -   | 24             | -   | ns    |
|  |                  |                 | 6                   | 14   | -   | -   | 17            | -   | 20             | -   | ns    |
| Pulse Width CP, $\bar{R}$ , $\bar{S}$      | t <sub>W</sub>   | -               | 2                   | 80   | -   | -   | 100           | -   | 120            | -   | ns    |
|  |                  |                 | 4.5                 | 16   | -   | -   | 20            | -   | 24             | -   | ns    |
|  |                  |                 | 6                   | 14   | -   | -   | 17            | -   | 20             | -   | ns    |
| CP Frequency                               | f <sub>MAX</sub> | -               | 2                   | 6    | -   | -   | 5             | -   | 4              | -   | MHz   |
|  |                  |                 | 4.5                 | 30   | -   | -   | 25            | -   | 20             | -   | MHz   |
|  |                  |                 | 6                   | 35   | -   | -   | 29            | -   | 23             | -   | MHz   |
| <b>HCT TYPES</b>                           |                  |                 |                     |      |     |     |               |     |                |     |       |
| Setup Time J, $\bar{K}$ to CP              | t <sub>SU</sub>  | -               | 4.5                 | 18   | -   | -   | 23            | -   | 27             | -   | ns    |
| Hold Time J, $\bar{K}$ to CP               | t <sub>H</sub>   | -               | 4.5                 | 3    | -   | -   | 3             | -   | 3              | -   | ns    |
| Removal Time $\bar{R}$ , $\bar{S}$ , to CP | t <sub>REM</sub> | -               | 4.5                 | 18   | -   | -   | 23            | -   | 27             | -   | ns    |
| Pulse Width CP, $\bar{R}$ , $\bar{S}$      | t <sub>W</sub>   | -               | 4.5                 | 18   | -   | -   | 23            | -   | 27             | -   | ns    |
| CP Frequency                               | f <sub>MAX</sub> | -               | 4.5                 | 27   | -   | -   | 22            | -   | 18             | -   | MHz   |

**Switching Specifications** Input t<sub>r</sub>, t<sub>f</sub> = 6ns

| PARAMETER                                | SYMBOL                              | TEST CONDITIONS       | V <sub>CC</sub> (V) | 25°C |     |     | -40°C TO 85°C |     | -55°C TO 125°C |     | UNITS |
|--|-------------------------------------|-----------------------|---------------------|------|-----|-----|---------------|-----|----------------|-----|-------|
|  |                                     |                       |                     | MIN  | TYP | MAX | MIN           | MAX | MIN            | MAX |       |
| <b>HC TYPES</b>                          |                                     |                       |                     |      |     |     |               |     |                |     |       |
| Propagation Delay, CP → Q, $\bar{Q}$     | t <sub>PLH</sub> , t <sub>PHL</sub> | C <sub>L</sub> = 50pF | 2                   | -    | -   | 175 | -             | 220 | -              | 265 | ns    |
|  |                                     | C <sub>L</sub> = 50pF | 4.5                 | -    | -   | 35  | -             | 44  | -              | 53  | ns    |
|  |                                     | C <sub>L</sub> = 15pF | 5                   | -    | 14  | -   | -             | -   | -              | -   | ns    |
|  |                                     | C <sub>L</sub> = 50pF | 6                   | -    | -   | 30  | -             | 37  | -              | 45  | ns    |
| Propagation Delay, $\bar{S}$ → Q         | t <sub>PLH</sub> , t <sub>PHL</sub> | C <sub>L</sub> = 50pF | 2                   | -    | -   | 120 | -             | 150 | -              | 180 | ns    |
|  |                                     | C <sub>L</sub> = 50pF | 4.5                 | -    | -   | 24  | -             | 30  | -              | 36  | ns    |
|  |                                     | C <sub>L</sub> = 15pF | 5                   | -    | 9   | -   | -             | -   | -              | -   | ns    |
|  |                                     | C <sub>L</sub> = 50pF | 6                   | -    | -   | 20  | -             | 26  | -              | 31  | ns    |
| Propagation Delay, $\bar{S}$ → $\bar{Q}$ | t <sub>PLH</sub> , t <sub>PHL</sub> | C <sub>L</sub> = 50pF | 2                   | -    | -   | 155 | -             | 195 | -              | 235 | ns    |
|  |                                     | C <sub>L</sub> = 50pF | 4.5                 | -    | -   | 31  | -             | 39  | -              | 47  | ns    |
|  |                                     | C <sub>L</sub> = 15pF | 5                   | -    | 13  | -   | -             | -   | -              | -   | ns    |
|  |                                     | C <sub>L</sub> = 50pF | 6                   | -    | -   | 26  | -             | 33  | -              | 40  | ns    |

**CD54HC109, CD74HC109, CD54HCT109, CD74HCT109**

**Switching Specifications** Input  $t_r, t_f = 6\text{ns}$  (Continued)

| PARAMETER   | SYMBOL             | TEST CONDITIONS     | V <sub>CC</sub> (V) | 25°C |     |     | -40°C TO 85°C |     | -55°C TO 125°C |     | UNITS |
|---|--------------------|---------------------|---------------------|------|-----|-----|---------------|-----|----------------|-----|-------|
|   |                    |                     |                     | MIN  | TYP | MAX | MIN           | MAX | MIN            | MAX |       |
| Propagation Delay,<br>$\bar{R} \rightarrow Q$       | $t_{PLH}, t_{PHL}$ | $C_L = 50\text{pF}$ | 2                   | -    | -   | 185 | -             | 230 | -              | 280 | ns    |
|   |                    | $C_L = 50\text{pF}$ | 4.5                 | -    | -   | 37  | -             | 46  | -              | 56  | ns    |
|   |                    | $C_L = 15\text{pF}$ | 5                   | -    | 15  | -   | -             | -   | -              | -   | ns    |
|   |                    | $C_L = 50\text{pF}$ | 6                   | -    | -   | 31  | -             | 39  | -              | 48  | ns    |
| Propagation Delay,<br>$\bar{R} \rightarrow \bar{Q}$ | $t_{PLH}, t_{PHL}$ | $C_L = 50\text{pF}$ | 2                   | -    | -   | 170 | -             | 215 | -              | 255 | ns    |
|   |                    | $C_L = 50\text{pF}$ | 4.5                 | -    | -   | 34  | -             | 43  | -              | 51  | ns    |
|   |                    | $C_L = 15\text{pF}$ | 5                   | -    | 14  | -   | -             | -   | -              | -   | ns    |
|   |                    | $C_L = 50\text{pF}$ | 6                   | -    | -   | 29  | -             | 37  | -              | 43  | ns    |
| Transition Time                                     | $t_{TLH}, t_{THL}$ | $C_L = 50\text{pF}$ | 2                   | -    | -   | 75  | -             | 95  | -              | 110 | ns    |
|   |                    | $C_L = 50\text{pF}$ | 4.5                 | -    | -   | 15  | -             | 19  | -              | 22  | ns    |
|   |                    | $C_L = 50\text{pF}$ | 6                   | -    | -   | 13  | -             | 16  | -              | 19  | ns    |
| Input Capacitance                                   | $C_I$              | -                   | -                   | -    | 10  | -   | 10            | -   | 10             | pF  |       |
| CP Frequency  | $f_{MAX}$          | $C_L = 15\text{pF}$ | 5                   | -    | 60  | -   | -             | -   | -              | -   | MHz   |
| Power Dissipation Capacitance<br>(Notes 4, 5)       | $C_{PD}$           | -                   | 5                   | -    | 30  | -   | -             | -   | -              | -   | pF    |
| <b>HCT TYPES</b>                                    |                    |                     |                     |      |     |     |               |     |                |     |       |
| Propagation Delay,<br>$CP \rightarrow Q, \bar{Q}$   | $t_{PLH}, t_{PHL}$ | $C_L = 50\text{pF}$ | 4.5                 | -    | -   | 40  | -             | 50  | -              | 60  | ns    |
|   |                    | $C_L = 15\text{pF}$ | 5                   | -    | 17  | -   | -             | -   | -              | -   | ns    |
| Propagation Delay,<br>$\bar{S} \rightarrow Q$       | $t_{PLH}, t_{PHL}$ | $C_L = 50\text{pF}$ | 4.5                 | -    | -   | 30  | -             | 38  | -              | 45  | ns    |
|   |                    | $C_L = 15\text{pF}$ | 5                   | -    | 12  | -   | -             | -   | -              | -   | ns    |
| Propagation Delay,<br>$\bar{S} \rightarrow \bar{Q}$ | $t_{PLH}, t_{PHL}$ | $C_L = 50\text{pF}$ | 4.5                 | -    | -   | 45  | -             | 56  | -              | 68  | ns    |
|   |                    | $C_L = 15\text{pF}$ | 5                   | -    | 19  | -   | -             | -   | -              | -   | ns    |
| Propagation Delay,<br>$\bar{R} \rightarrow Q$       | $t_{PLH}, t_{PHL}$ | $C_L = 50\text{pF}$ | 4.5                 | -    | -   | 45  | -             | 56  | -              | 68  | ns    |
|   |                    | $C_L = 15\text{pF}$ | 5                   | -    | 19  | -   | -             | -   | -              | -   | ns    |
| Propagation Delay,<br>$\bar{R} \rightarrow \bar{Q}$ | $t_{PLH}, t_{PHL}$ | $C_L = 50\text{pF}$ | 4.5                 | -    | -   | 37  | -             | 46  | -              | 56  | ns    |
|   |                    | $C_L = 15\text{pF}$ | 5                   | -    | 15  | -   | -             | -   | -              | -   | ns    |
| Transition Time (Figure 5)                          | $t_{TLH}, t_{THL}$ | $C_L = 50\text{pF}$ | 4.5                 | -    | -   | 15  | -             | 19  | -              | 22  | ns    |
| Input Capacitance                                   | $C_I$              | -                   | -                   | -    | 10  | -   | 10            | -   | 10             | pF  |       |
| CP Frequency  | $f_{MAX}$          | $C_L = 15\text{pF}$ | 5                   | -    | 54  | -   | -             | -   | -              | -   | MHz   |
| Power Dissipation Capacitance<br>(Notes 4, 5)       | $C_{PD}$           | -                   | 5                   | -    | 33  | -   | -             | -   | -              | -   | pF    |

**NOTES:**

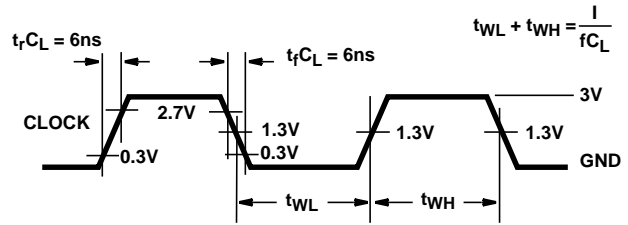
- $C_{PD}$  is used to determine the dynamic power consumption, per flip-flop.
- $P_D = C_{PD} V_{CC}^2 f_i + \sum C_L f_o$  where  $f_i$  = input frequency,  $f_o$  = output frequency,  $C_L$  = output load capacitance,  $V_{CC}$  = supply voltage.

Test Circuits and Waveforms



NOTE: Outputs should be switching from 10%  $V_{CC}$  to 90%  $V_{CC}$  in accordance with device truth table. For  $f_{MAX}$ , input duty cycle = 50%.

FIGURE 7. HC CLOCK PULSE RISE AND FALL TIMES AND PULSE WIDTH



NOTE: Outputs should be switching from 10%  $V_{CC}$  to 90%  $V_{CC}$  in accordance with device truth table. For  $f_{MAX}$ , input duty cycle = 50%.

FIGURE 8. HCT CLOCK PULSE RISE AND FALL TIMES AND PULSE WIDTH



FIGURE 9. HC AND HCU TRANSITION TIMES AND PROPAGATION DELAY TIMES, COMBINATION LOGIC

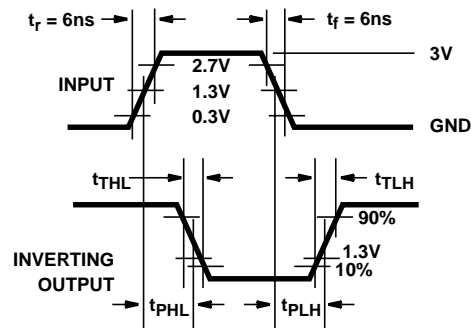


FIGURE 10. HCT TRANSITION TIMES AND PROPAGATION DELAY TIMES, COMBINATION LOGIC

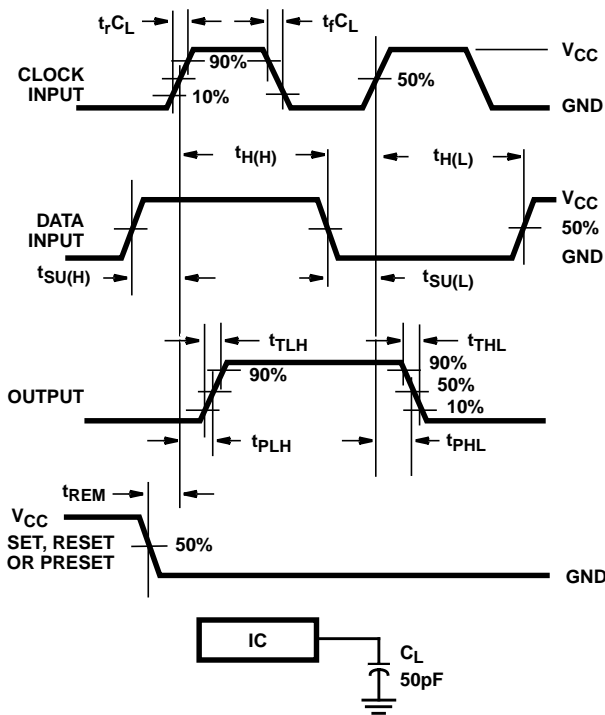


FIGURE 11. HC SETUP TIMES, HOLD TIMES, REMOVAL TIME, AND PROPAGATION DELAY TIMES FOR EDGE TRIGGERED SEQUENTIAL LOGIC CIRCUITS

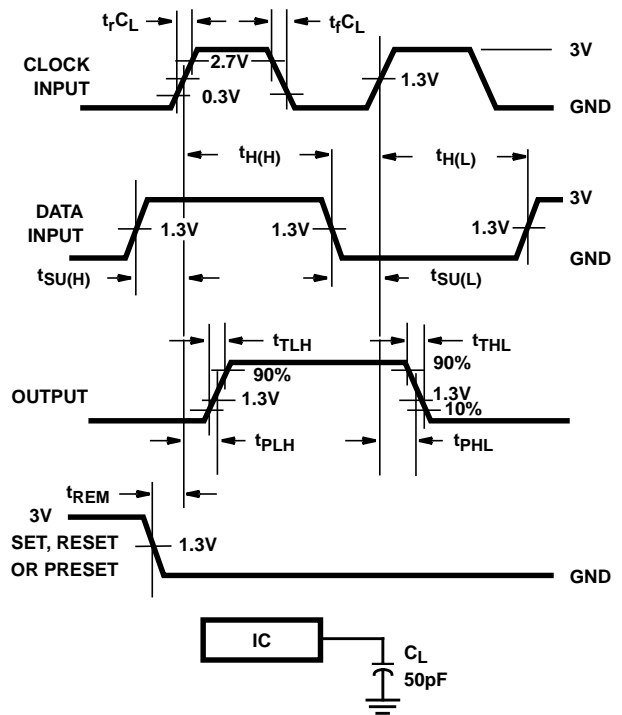


FIGURE 12. HCT SETUP TIMES, HOLD TIMES, REMOVAL TIME, AND PROPAGATION DELAY TIMES FOR EDGE TRIGGERED SEQUENTIAL LOGIC CIRCUITS

**PACKAGING INFORMATION**

| Orderable Device | Status <sup>(1)</sup> | Package Type | Package Drawing | Pins | Package Qty | Eco Plan <sup>(2)</sup>    | Lead/<br>Ball Finish | MSL Peak Temp <sup>(3)</sup> | Samples<br>(Requires Login) |
|------------------|-----------------------|--------------|-----------------|------|-------------|----------------------------|----------------------|------------------------------|-----------------------------|
| 5962-9070101MEA  | ACTIVE                | CDIP         | J               | 16   | 1           | TBD                        | Call TI              | Call TI                      |                             |
| CD54HC109F3A     | ACTIVE                | CDIP         | J               | 16   | 1           | TBD                        | A42                  | N / A for Pkg Type           |                             |
| CD54HCT109F3A    | ACTIVE                | CDIP         | J               | 16   | 1           | TBD                        | A42                  | N / A for Pkg Type           |                             |
| CD74HC109E       | ACTIVE                | PDIP         | N               | 16   | 25          | Pb-Free (RoHS)             | CU NIPDAU            | N / A for Pkg Type           |                             |
| CD74HC109EE4     | ACTIVE                | PDIP         | N               | 16   | 25          | Pb-Free (RoHS)             | CU NIPDAU            | N / A for Pkg Type           |                             |
| CD74HC109M       | ACTIVE                | SOIC         | D               | 16   | 40          | Green (RoHS<br>& no Sb/Br) | CU NIPDAU            | Level-1-260C-UNLIM           |                             |
| CD74HC109M96     | ACTIVE                | SOIC         | D               | 16   | 2500        | Green (RoHS<br>& no Sb/Br) | CU NIPDAU            | Level-1-260C-UNLIM           |                             |
| CD74HC109M96E4   | ACTIVE                | SOIC         | D               | 16   | 2500        | Green (RoHS<br>& no Sb/Br) | CU NIPDAU            | Level-1-260C-UNLIM           |                             |
| CD74HC109M96G4   | ACTIVE                | SOIC         | D               | 16   | 2500        | Green (RoHS<br>& no Sb/Br) | CU NIPDAU            | Level-1-260C-UNLIM           |                             |
| CD74HC109ME4     | ACTIVE                | SOIC         | D               | 16   | 40          | Green (RoHS<br>& no Sb/Br) | CU NIPDAU            | Level-1-260C-UNLIM           |                             |
| CD74HC109MG4     | ACTIVE                | SOIC         | D               | 16   | 40          | Green (RoHS<br>& no Sb/Br) | CU NIPDAU            | Level-1-260C-UNLIM           |                             |
| CD74HC109MT      | ACTIVE                | SOIC         | D               | 16   | 250         | Green (RoHS<br>& no Sb/Br) | CU NIPDAU            | Level-1-260C-UNLIM           |                             |
| CD74HC109MTE4    | ACTIVE                | SOIC         | D               | 16   | 250         | Green (RoHS<br>& no Sb/Br) | CU NIPDAU            | Level-1-260C-UNLIM           |                             |
| CD74HC109MTG4    | ACTIVE                | SOIC         | D               | 16   | 250         | Green (RoHS<br>& no Sb/Br) | CU NIPDAU            | Level-1-260C-UNLIM           |                             |
| CD74HCT109E      | ACTIVE                | PDIP         | N               | 16   | 25          | Pb-Free (RoHS)             | CU NIPDAU            | N / A for Pkg Type           |                             |
| CD74HCT109EE4    | ACTIVE                | PDIP         | N               | 16   | 25          | Pb-Free (RoHS)             | CU NIPDAU            | N / A for Pkg Type           |                             |
| CD74HCT109M      | ACTIVE                | SOIC         | D               | 16   | 40          | Green (RoHS<br>& no Sb/Br) | CU NIPDAU            | Level-1-260C-UNLIM           |                             |
| CD74HCT109M96    | ACTIVE                | SOIC         | D               | 16   | 2500        | Green (RoHS<br>& no Sb/Br) | CU NIPDAU            | Level-1-260C-UNLIM           |                             |
| CD74HCT109M96E4  | ACTIVE                | SOIC         | D               | 16   | 2500        | Green (RoHS<br>& no Sb/Br) | CU NIPDAU            | Level-1-260C-UNLIM           |                             |
| CD74HCT109M96G4  | ACTIVE                | SOIC         | D               | 16   | 2500        | Green (RoHS<br>& no Sb/Br) | CU NIPDAU            | Level-1-260C-UNLIM           |                             |



| Orderable Device | Status <sup>(1)</sup> | Package Type | Package Drawing | Pins | Package Qty | Eco Plan <sup>(2)</sup> | Lead/ Ball Finish | MSL Peak Temp <sup>(3)</sup> | Samples (Requires Login) |
|------------------|-----------------------|--------------|-----------------|------|-------------|-------------------------|-------------------|------------------------------|--------------------------|
| CD74HCT109ME4    | ACTIVE                | SOIC         | D               | 16   | 40          | Green (RoHS & no Sb/Br) | CU NIPDAU         | Level-1-260C-UNLIM           |                          |
| CD74HCT109MG4    | ACTIVE                | SOIC         | D               | 16   | 40          | Green (RoHS & no Sb/Br) | CU NIPDAU         | Level-1-260C-UNLIM           |                          |
| CD74HCT109MT     | ACTIVE                | SOIC         | D               | 16   | 250         | Green (RoHS & no Sb/Br) | CU NIPDAU         | Level-1-260C-UNLIM           |                          |
| CD74HCT109MTE4   | ACTIVE                | SOIC         | D               | 16   | 250         | Green (RoHS & no Sb/Br) | CU NIPDAU         | Level-1-260C-UNLIM           |                          |
| CD74HCT109MTG4   | ACTIVE                | SOIC         | D               | 16   | 250         | Green (RoHS & no Sb/Br) | CU NIPDAU         | Level-1-260C-UNLIM           |                          |

<sup>(1)</sup> The marketing status values are defined as follows:

**ACTIVE:** Product device recommended for new designs.

**LIFEBUY:** TI has announced that the device will be discontinued, and a lifetime-buy period is in effect.

**NRND:** Not recommended for new designs. Device is in production to support existing customers, but TI does not recommend using this part in a new design.

**PREVIEW:** Device has been announced but is not in production. Samples may or may not be available.

**OBSOLETE:** TI has discontinued the production of the device.

<sup>(2)</sup> Eco Plan - The planned eco-friendly classification: Pb-Free (RoHS), Pb-Free (RoHS Exempt), or Green (RoHS & no Sb/Br) - please check <http://www.ti.com/productcontent> for the latest availability information and additional product content details.

**TBD:** The Pb-Free/Green conversion plan has not been defined.

**Pb-Free (RoHS):** TI's terms "Lead-Free" or "Pb-Free" mean semiconductor products that are compatible with the current RoHS requirements for all 6 substances, including the requirement that lead not exceed 0.1% by weight in homogeneous materials. Where designed to be soldered at high temperatures, TI Pb-Free products are suitable for use in specified lead-free processes.

**Pb-Free (RoHS Exempt):** This component has a RoHS exemption for either 1) lead-based flip-chip solder bumps used between the die and package, or 2) lead-based die adhesive used between the die and leadframe. The component is otherwise considered Pb-Free (RoHS compatible) as defined above.

**Green (RoHS & no Sb/Br):** TI defines "Green" to mean Pb-Free (RoHS compatible), and free of Bromine (Br) and Antimony (Sb) based flame retardants (Br or Sb do not exceed 0.1% by weight in homogeneous material)

<sup>(3)</sup> MSL, Peak Temp. -- The Moisture Sensitivity Level rating according to the JEDEC industry standard classifications, and peak solder temperature.

**Important Information and Disclaimer:** The information provided on this page represents TI's knowledge and belief as of the date that it is provided. TI bases its knowledge and belief on information provided by third parties, and makes no representation or warranty as to the accuracy of such information. Efforts are underway to better integrate information from third parties. TI has taken and continues to take reasonable steps to provide representative and accurate information but may not have conducted destructive testing or chemical analysis on incoming materials and chemicals. TI and TI suppliers consider certain information to be proprietary, and thus CAS numbers and other limited information may not be available for release.

In no event shall TI's liability arising out of such information exceed the total purchase price of the TI part(s) at issue in this document sold by TI to Customer on an annual basis.

**OTHER QUALIFIED VERSIONS OF CD54HC109, CD54HCT109, CD74HC109, CD74HCT109 :**

- Catalog: [CD74HC109](#), [CD74HCT109](#)

- Military: [CD54HC109](#), [CD54HCT109](#)

NOTE: Qualified Version Definitions:

- Catalog - TI's standard catalog product
- Military - QML certified for Military and Defense Applications

**TAPE AND REEL INFORMATION**



**QUADRANT ASSIGNMENTS FOR PIN 1 ORIENTATION IN TAPE**



\*All dimensions are nominal

| Device        | Package Type | Package Drawing | Pins | SPQ  | Reel Diameter (mm) | Reel Width W1 (mm) | A0 (mm) | B0 (mm) | K0 (mm) | P1 (mm) | W (mm) | Pin1 Quadrant |
|---------------|--------------|-----------------|------|------|--------------------|--------------------|---------|---------|---------|---------|--------|---------------|
| CD74HC109M96  | SOIC         | D               | 16   | 2500 | 330.0              | 16.4               | 6.5     | 10.3    | 2.1     | 8.0     | 16.0   | Q1            |
| CD74HCT109M96 | SOIC         | D               | 16   | 2500 | 330.0              | 16.4               | 6.5     | 10.3    | 2.1     | 8.0     | 16.0   | Q1            |

**TAPE AND REEL BOX DIMENSIONS**



\*All dimensions are nominal

| Device        | Package Type | Package Drawing | Pins | SPQ  | Length (mm) | Width (mm) | Height (mm) |
|---------------|--------------|-----------------|------|------|-------------|------------|-------------|
| CD74HC109M96  | SOIC         | D               | 16   | 2500 | 333.2       | 345.9      | 28.6        |
| CD74HCT109M96 | SOIC         | D               | 16   | 2500 | 333.2       | 345.9      | 28.6        |

J (R-GDIP-T\*\*)

14 LEADS SHOWN

CERAMIC DUAL IN-LINE PACKAGE



| DIM \ PINS ** | 14                     | 16                     | 18                     | 20                     |
|---------------|------------------------|------------------------|------------------------|------------------------|
| A             | 0.300<br>(7,62)<br>BSC | 0.300<br>(7,62)<br>BSC | 0.300<br>(7,62)<br>BSC | 0.300<br>(7,62)<br>BSC |
| B MAX         | 0.785<br>(19,94)       | .840<br>(21,34)        | 0.960<br>(24,38)       | 1.060<br>(26,92)       |
| B MIN         | —                      | —                      | —                      | —                      |
| C MAX         | 0.300<br>(7,62)        | 0.300<br>(7,62)        | 0.310<br>(7,87)        | 0.300<br>(7,62)        |
| C MIN         | 0.245<br>(6,22)        | 0.245<br>(6,22)        | 0.220<br>(5,59)        | 0.245<br>(6,22)        |



4040083/F 03/03

- NOTES:
- All linear dimensions are in inches (millimeters).
  - This drawing is subject to change without notice.
  - This package is hermetically sealed with a ceramic lid using glass frit.
  - Index point is provided on cap for terminal identification only on press ceramic glass frit seal only.
  - Falls within MIL STD 1835 GDIP1-T14, GDIP1-T16, GDIP1-T18 and GDIP1-T20.

N (R-PDIP-T\*\*)

PLASTIC DUAL-IN-LINE PACKAGE

16 PINS SHOWN



- NOTES:
- A. All linear dimensions are in inches (millimeters).
  - B. This drawing is subject to change without notice.
  - Falls within JEDEC MS-001, except 18 and 20 pin minimum body length (Dim A).
  - The 20 pin end lead shoulder width is a vendor option, either half or full width.

D (R-PDSO-G16)

PLASTIC SMALL OUTLINE



4040047-6/M 06/11

- NOTES:
- A. All linear dimensions are in inches (millimeters).
  - B. This drawing is subject to change without notice.
  -  C. Body length does not include mold flash, protrusions, or gate burrs. Mold flash, protrusions, or gate burrs shall not exceed 0.006 (0,15) each side.
  -  D. Body width does not include interlead flash. Interlead flash shall not exceed 0.017 (0,43) each side.
  - E. Reference JEDEC MS-012 variation AC.

## IMPORTANT NOTICE

Texas Instruments Incorporated and its subsidiaries (TI) reserve the right to make corrections, modifications, enhancements, improvements, and other changes to its products and services at any time and to discontinue any product or service without notice. Customers should obtain the latest relevant information before placing orders and should verify that such information is current and complete. All products are sold subject to TI's terms and conditions of sale supplied at the time of order acknowledgment.

TI warrants performance of its hardware products to the specifications applicable at the time of sale in accordance with TI's standard warranty. Testing and other quality control techniques are used to the extent TI deems necessary to support this warranty. Except where mandated by government requirements, testing of all parameters of each product is not necessarily performed.

TI assumes no liability for applications assistance or customer product design. Customers are responsible for their products and applications using TI components. To minimize the risks associated with customer products and applications, customers should provide adequate design and operating safeguards.

TI does not warrant or represent that any license, either express or implied, is granted under any TI patent right, copyright, mask work right, or other TI intellectual property right relating to any combination, machine, or process in which TI products or services are used. Information published by TI regarding third-party products or services does not constitute a license from TI to use such products or services or a warranty or endorsement thereof. Use of such information may require a license from a third party under the patents or other intellectual property of the third party, or a license from TI under the patents or other intellectual property of TI.

Reproduction of TI information in TI data books or data sheets is permissible only if reproduction is without alteration and is accompanied by all associated warranties, conditions, limitations, and notices. Reproduction of this information with alteration is an unfair and deceptive business practice. TI is not responsible or liable for such altered documentation. Information of third parties may be subject to additional restrictions.

Resale of TI products or services with statements different from or beyond the parameters stated by TI for that product or service voids all express and any implied warranties for the associated TI product or service and is an unfair and deceptive business practice. TI is not responsible or liable for any such statements.

TI products are not authorized for use in safety-critical applications (such as life support) where a failure of the TI product would reasonably be expected to cause severe personal injury or death, unless officers of the parties have executed an agreement specifically governing such use. Buyers represent that they have all necessary expertise in the safety and regulatory ramifications of their applications, and acknowledge and agree that they are solely responsible for all legal, regulatory and safety-related requirements concerning their products and any use of TI products in such safety-critical applications, notwithstanding any applications-related information or support that may be provided by TI. Further, Buyers must fully indemnify TI and its representatives against any damages arising out of the use of TI products in such safety-critical applications.

TI products are neither designed nor intended for use in military/aerospace applications or environments unless the TI products are specifically designated by TI as military-grade or "enhanced plastic." Only products designated by TI as military-grade meet military specifications. Buyers acknowledge and agree that any such use of TI products which TI has not designated as military-grade is solely at the Buyer's risk, and that they are solely responsible for compliance with all legal and regulatory requirements in connection with such use.

TI products are neither designed nor intended for use in automotive applications or environments unless the specific TI products are designated by TI as compliant with ISO/TS 16949 requirements. Buyers acknowledge and agree that, if they use any non-designated products in automotive applications, TI will not be responsible for any failure to meet such requirements.

Following are URLs where you can obtain information on other Texas Instruments products and application solutions:

### Products

|                        |  |
|------------------------|--|
| Audio                  | <a href="http://www.ti.com/audio">www.ti.com/audio</a>                               |
| Amplifiers             | <a href="http://amplifier.ti.com">amplifier.ti.com</a>                               |
| Data Converters        | <a href="http://dataconverter.ti.com">dataconverter.ti.com</a>                       |
| DLP® Products          | <a href="http://www.dlp.com">www.dlp.com</a>   |
| DSP                    | <a href="http://dsp.ti.com">dsp.ti.com</a>   |
| Clocks and Timers      | <a href="http://www.ti.com/clocks">www.ti.com/clocks</a>                             |
| Interface              | <a href="http://interface.ti.com">interface.ti.com</a>                               |
| Logic                  | <a href="http://logic.ti.com">logic.ti.com</a>                                       |
| Power Mgmt             | <a href="http://power.ti.com">power.ti.com</a>                                       |
| Microcontrollers       | <a href="http://microcontroller.ti.com">microcontroller.ti.com</a>                   |
| RFID                   | <a href="http://www.ti-rfid.com">www.ti-rfid.com</a>                                 |
| OMAP Mobile Processors | <a href="http://www.ti.com/omap">www.ti.com/omap</a>                                 |
| Wireless Connectivity  | <a href="http://www.ti.com/wirelessconnectivity">www.ti.com/wirelessconnectivity</a> |

### Applications

|                               |  |
|-------------------------------|--|
| Communications and Telecom    | <a href="http://www.ti.com/communications">www.ti.com/communications</a>                 |
| Computers and Peripherals     | <a href="http://www.ti.com/computers">www.ti.com/computers</a>                           |
| Consumer Electronics          | <a href="http://www.ti.com/consumer-apps">www.ti.com/consumer-apps</a>                   |
| Energy and Lighting           | <a href="http://www.ti.com/energy">www.ti.com/energy</a>                                 |
| Industrial                    | <a href="http://www.ti.com/industrial">www.ti.com/industrial</a>                         |
| Medical                       | <a href="http://www.ti.com/medical">www.ti.com/medical</a>                               |
| Security                      | <a href="http://www.ti.com/security">www.ti.com/security</a>                             |
| Space, Avionics and Defense   | <a href="http://www.ti.com/space-avionics-defense">www.ti.com/space-avionics-defense</a> |
| Transportation and Automotive | <a href="http://www.ti.com/automotive">www.ti.com/automotive</a>                         |
| Video and Imaging             | <a href="http://www.ti.com/video">www.ti.com/video</a>                                   |

TI E2E Community Home Page

[e2e.ti.com](http://e2e.ti.com)

Mailing Address: Texas Instruments, Post Office Box 655303, Dallas, Texas 75265  
Copyright © 2011, Texas Instruments Incorporated





**Стандарт  
Электрон  
Связь**

Мы молодая и активно развивающаяся компания в области поставок электронных компонентов. Мы поставляем электронные компоненты отечественного и импортного производства напрямую от производителей и с крупнейших складов мира.

Благодаря сотрудничеству с мировыми поставщиками мы осуществляем комплексные и плановые поставки широчайшего спектра электронных компонентов.

Собственная эффективная логистика и склад в обеспечивает надежную поставку продукции в точно указанные сроки по всей России.

Мы осуществляем техническую поддержку нашим клиентам и предпродажную проверку качества продукции. На все поставляемые продукты мы предоставляем гарантию .

Осуществляем поставки продукции под контролем ВП МО РФ на предприятия военно-промышленного комплекса России , а также работаем в рамках 275 ФЗ с открытием отдельных счетов в уполномоченном банке. Система менеджмента качества компании соответствует требованиям ГОСТ ISO 9001.

Минимальные сроки поставки, гибкие цены, неограниченный ассортимент и индивидуальный подход к клиентам являются основой для выстраивания долгосрочного и эффективного сотрудничества с предприятиями радиоэлектронной промышленности, предприятиями ВПК и научно-исследовательскими институтами России.

С нами вы становитесь еще успешнее!

**Наши контакты:**

**Телефон:** +7 812 627 14 35

**Электронная почта:** [sales@st-electron.ru](mailto:sales@st-electron.ru)

**Адрес:** 198099, Санкт-Петербург,  
Промышленная ул, дом № 19, литера Н,  
помещение 100-Н Офис 331