

0.65-Ω DUAL SPDT ANALOG SWITCHES WITH NEGATIVE SIGNALING CAPABILITY

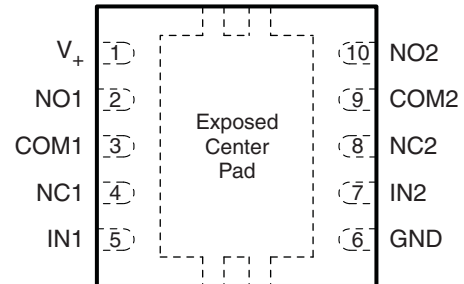
 Check for Samples: [TS5A22362](#), [TS5A22364](#)

FEATURES

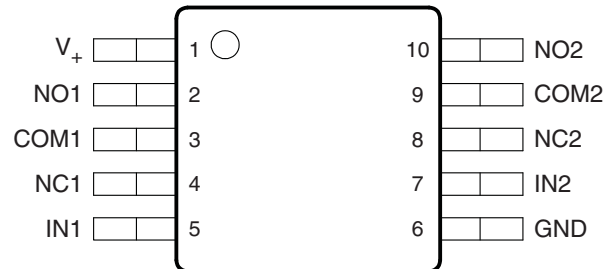
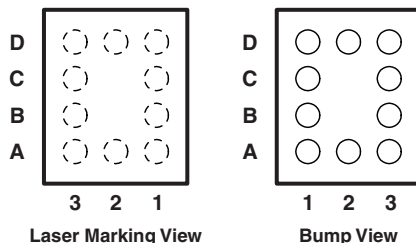
- Specified Break-Before-Make Switching
- Negative Signaling Capability: Maximum Swing From -2.75 V to 2.75 V ($V_+ = 2.75\text{ V}$)
- Internal Shunt Switch Prevents Audible Click-and-Pop When Switching Between Two Sources (TS5A22364)
- Low ON-State Resistance ($0.65\ \Omega$ Typical)
- Low Charge Injection
- Excellent ON-State Resistance Matching
- 2.3-V to 5.5-V Power Supply (V_+)
- Latch-Up Performance Exceeds 100 mA Per JESD 78, Class II
- ESD Performance Tested Per JESD 22
 - 2500-V Human-Body Model (A114-B, Class II)
 - 1500-V Charged-Device Model (C101)
 - 200-V Machine Model (A115-A)

APPLICATIONS

- Cell Phones
- PDAs
- Portable Instrumentation
- Audio Routing
- Medical Imaging

**DRC PACKAGE
(TOP VIEW)**


The exposed center pad, if used, must be connected as a secondary GND or left electrically open.

**DGS PACKAGE
(TOP VIEW)**

YZP PACKAGE

YZP PACKAGE TERMINAL ASSIGNMENTS

D	IN1	GND	IN2
C	NC1		NC2
B	COM1		COM2
A	NO1	V_+	NO2
	3	2	1



Please be aware that an important notice concerning availability, standard warranty, and use in critical applications of Texas Instruments semiconductor products and disclaimers thereto appears at the end of this data sheet.



This integrated circuit can be damaged by ESD. Texas Instruments recommends that all integrated circuits be handled with appropriate precautions. Failure to observe proper handling and installation procedures can cause damage.

ESD damage can range from subtle performance degradation to complete device failure. Precision integrated circuits may be more susceptible to damage because very small parametric changes could cause the device not to meet its published specifications.

DESCRIPTION

The TS5A22362 and TS5A22364 are single-pole double-throw (SPDT) analog switches designed to operate from 2.3 V to 5.5 V. The devices feature negative signal capability that allows signals below ground to pass through the switch without distortion. Additionally, the TS5A22364 includes an internal shunt switch, which automatically discharges any capacitance at the NC or NO terminals when they are unconnected to COM. This reduces the audible click/pop noise when switching between two sources. The break-before-make feature prevents signal distortion during the transferring of a signal from one path to another. Low ON-state resistance, excellent channel-to-channel ON-state resistance matching, and minimal total harmonic distortion (THD) performance are ideal for audio applications. The 3x3 mm DRC package is also available as a non-magnetic package for medical imaging application.

ORDERING INFORMATION

For package and ordering information, see the Package Option Addendum at the end of this document.

SUMMARY OF CHARACTERISTICS

$V_+ = 2.7 \text{ V}$, $T_A = 25^\circ\text{C}$

Configuration	2:1 Multiplexer/Demultiplexer (2 x SPDT)
Number of channels	2
ON-state resistance (r_{on})	0.65 Ω
ON-state resistance match (Δr_{on})	0.023 Ω
ON-state resistance flatness ($r_{on(flat)}$)	0.18 Ω
Turn-on/turn-off time (t_{ON}/t_{OFF})	80 ns/70 ns
Break-before-make time (t_{BBM})	7 ns
Charge injection (Q_C)	150 pC
Bandwidth (BW)	17 MHz
OFF isolation (O_{ISO})	-66 dB at 100 kHz
Crosstalk (X_{TALK})	-75 dB at 100 kHz
Total harmonic distortion (THD)	0.01%
Leakage current ($I_{NO(OFF)}$, $I_{NC(OFF)}$)	50 nA
Package options	10-pin WCSP (YZP), 10-pin VSSOP (DGS), and 10-pin SON (DRC)

FUNCTION TABLE

IN	NC TO COM, COM TO NC	NO TO COM, COM TO NO
L	ON	OFF
H	OFF	ON

APPLICATION BLOCK DIAGRAMS

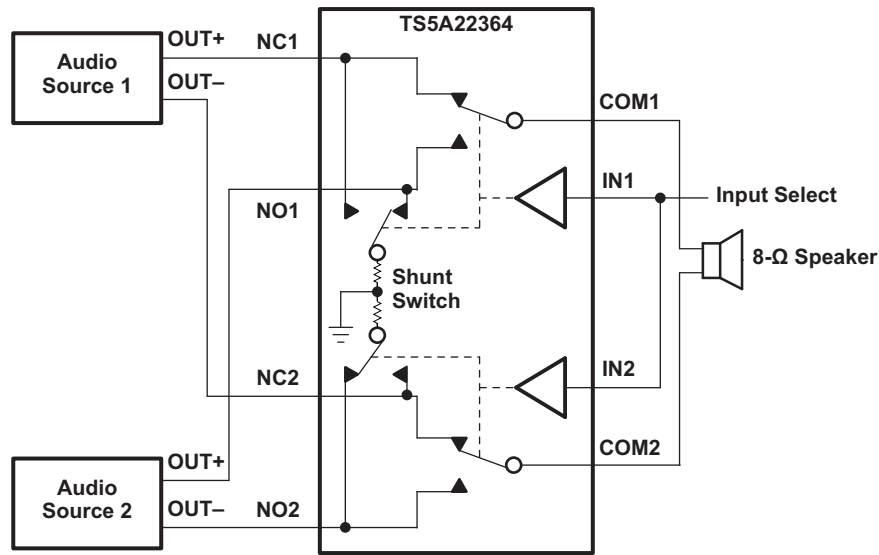


Figure 1. TS5A22364 Application Block Diagram

Shunt Switch (TS5A22364)

The 50- Ω shunt switches on the TS5A22364 automatically discharge any capacitance at the NC or NO terminals when they are unconnected to COM. This reduces audible click-and-pop sounds that occur when switching between audio sources. Audible clicks and pops are caused when a step DC voltage is switched into the speaker. By automatically discharging the side that is not connected, any residual DC voltage is removed, thereby reducing the clicks and pops.

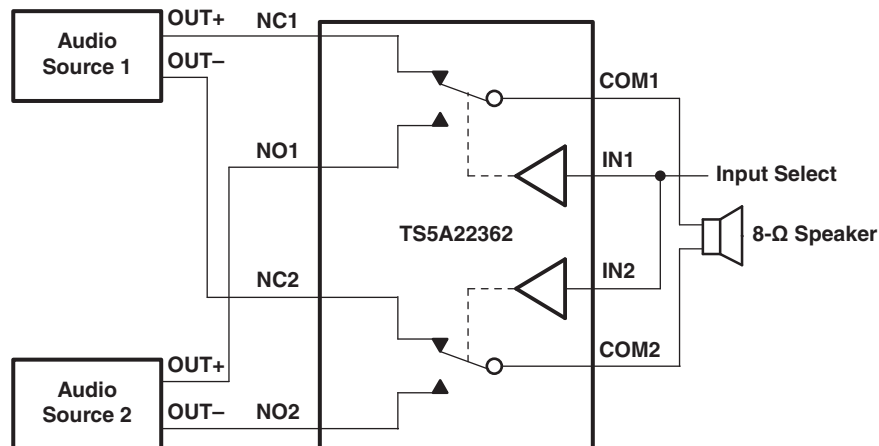


Figure 2. TS5A22362 Application Block Diagram

Negative Signaling Capacity

The TS5A22362 and TS5A22364 dual SPDT switches feature negative signal capability that allows signals below ground to pass through without distortion. These analog switches operate from a single +2.3-V to +5.5-V supply. The input/output signal swing of the device is dependant of the supply voltage V_+ : the devices pass signals as high as V_+ and as low as $V_+ - 5.5$ V, including signals below ground with minimal distortion.

Table 1 shows the input/output signal swing the user can get with different supply voltages.

Table 1. INPUT/OUTPUT SIGNAL SWING

SUPPLY VOLTAGE, V ₊	MINIMUM (V _{NC} , V _{NO} , V _{COM}) = V ₊ – 5.5	MAXIMUM (V _{NC} , V _{NO} , V _{COM}) = V ₊
5.5 V	0 V	5.5 V
4.2 V	–1.3 V	4.2 V
3.3 V	–2.2 V	3.3 V
3 V	–2.5 V	3 V
2.5 V	–3 V	2.5 V

ABSOLUTE MINIMUM AND MAXIMUM RATINGS⁽¹⁾⁽²⁾

over operating free-air temperature range (unless otherwise noted)

		MIN	MAX	UNIT
V ₊	Supply voltage range ⁽³⁾	–0.5	6	V
V _{NC} V _{NO} V _{COM}	Analog voltage range ^{(3) (4) (5)}	V ₊ – 6	V ₊ + 0.5	V
I _{I/O} K	Analog port diode current V _{NC} , V _{NO} , V _{COM} < 0 or V _{NC} , V _{NO} , V _{COM} > V ₊	–50	50	mA
I _{NC} I _{NO} I _{COM}	ON-state switch current ON-state peak switch current ⁽⁶⁾	–150 –300	150 300	mA
I _{NC} ⁽³⁾⁽⁷⁾⁽⁸⁾ I _{NO} ⁽³⁾⁽⁷⁾⁽⁸⁾ I _{COM} ⁽³⁾⁽⁷⁾⁽⁸⁾	ON-state switch current ON-state peak switch current ⁽⁶⁾	–350 –500	350 500	mA
V _I	Digital input voltage range	–0.5	6.5	V
I _I K	Digital input clamp current ⁽³⁾⁽⁴⁾ V _I < 0	–50	50	mA
I ₊ I _{GND}	Continuous current through V ₊ or GND	–100	100	mA
T _{stg}	Storage temperature range	–65	150	°C

- (1) Stresses above these ratings may cause permanent damage. Exposure to absolute maximum conditions for extended periods may degrade device reliability. These are stress ratings only, and functional operation of the device at these or any other conditions beyond those specified is not implied.
- (2) The algebraic convention, whereby the most negative value is a minimum and the most positive value is a maximum
- (3) All voltages are with respect to ground, unless otherwise specified.
- (4) The input and output voltage ratings may be exceeded if the input and output clamp-current ratings are observed.
- (5) This value is limited to 5.5 V maximum.
- (6) Pulse at 1-ms duration <10% duty cycle.
- (7) V₊ = 3.0 V to 5.0 V, T_A = –40°C to 85°C.
- (8) For YZP package only.

THERMAL IMPEDANCE RATINGS

			UNIT
θ _{JA}	Package thermal impedance ⁽¹⁾	DGS package	56.5
		DRC package	165.36
		YZP package	93

- (1) The package thermal impedance is calculated in accordance with JESD 51-7.

ELECTRICAL CHARACTERISTICS FOR 2.5-V SUPPLY⁽¹⁾
 $V_+ = 2.3 \text{ V to } 2.7 \text{ V}$, $T_A = -40^\circ\text{C to } 85^\circ\text{C}$ (unless otherwise noted)

PARAMETER	SYMBOL	TEST CONDITIONS		T_A	V_+	MIN	TYP	MAX	UNIT
Analog Switch									
Analog signal range	V_{COM}, V_{NO}, V_{NC}					$V_+ - 5.5$		V_+	V
ON-state resistance	r_{on}	V_{NC} or $V_{NO} = V_+, 1.5 \text{ V}$, $V_+ - 5.5 \text{ V}$ $I_{COM} = -100 \text{ mA}$,	COM to NO or NC, See Figure 16	25°C	2.7 V		0.65	0.94	Ω
				Full			1.04		
ON-state resistance match between channels	Δr_{on}	V_{NC} or $V_{NO} = 1.5 \text{ V}$, $I_{COM} = -100 \text{ mA}$,	COM to NO or NC, See Figure 16	25°C	2.7 V		0.023	0.11	Ω
				Full			0.15		
ON-state resistance flatness	$r_{on(Flat)}$	V_{NC} or $V_{NO} = V_+, 1.5 \text{ V}$, $V_+ - 5.5 \text{ V}$ $I_{COM} = -100 \text{ mA}$,	COM to NO or NC, See Figure 16	25°C	2.7 V		0.18	0.46	Ω
				Full			0.5		
Shunt switch resistance (TS5A22364 only)	r_{SH}	I_{NO} or $I_{NC} = 10 \text{ mA}$		Full	2.7 V		25	50	Ω
NC, NO OFF leakage current (TS5A22362 Only)	$I_{NC(OFF)}, I_{NO(OFF)}$	$V_{NC} = 2.25 \text{ V}$, $V_+ - 5.5 \text{ V}$ $V_{COM} = V_+ - 5.5 \text{ V}$, 2.25 V $V_{NO} = \text{Open}$ COM to NO or $V_{NO} = 2.25 \text{ V}$, $V_+ - 5.5 \text{ V}$, $V_{COM} = V_+ - 5.5 \text{ V}$, 2.25 V $V_{NC} = \text{Open}$ COM to NC	See Figure 17	25°C	2.7		-50	50	nA
				Full			-375	375	
COM ON leakage current	$I_{COM(ON)}$	V_{NC} and $V_{NO} = \text{Open}$, $V_{COM} = V_+, V_+ - 5.5 \text{ V}$,	See Figure 18	25°C	2.7 V		-50	50	nA
				Full			-375	375	
Digital Control Inputs (IN)⁽²⁾									
Input logic high	V_{IH}			Full		1.4		5.5	V
Input logic low	V_{IL}			Full				0.6	V
Input leakage current	I_{IH}, I_{IL}	$V_{IN} = V_+$ or 0		25°C	2.7 V		-250	250	nA
				Full			-250	250	

(1) The algebraic convention, whereby the most negative value is a minimum and the most positive value is a maximum

(2) All unused digital inputs of the device must be held at V_+ or GND to ensure proper device operation. Refer to the TI application report, *Implications of Slow or Floating CMOS Inputs*, literature number SCBA004.

ELECTRICAL CHARACTERISTICS FOR 2.5-V SUPPLY⁽¹⁾ (continued)
 $V_+ = 2.3 \text{ V to } 2.7 \text{ V}$, $T_A = -40^\circ\text{C to } 85^\circ\text{C}$ (unless otherwise noted)

PARAMETER	SYMBOL	TEST CONDITIONS	T_A	V_+	MIN	TYP	MAX	UNIT
Dynamic								
Turn-on time	t_{ON}	$V_{COM} = V_+$, $R_L = 300 \Omega$,	$C_L = 35 \text{ pF}$, See Figure 20	25°C	2.5 V	44	80	ns
				Full	2.3 V to 2.7 V		80	
Turn-off time	t_{OFF}	$V_{COM} = V_+$, $R_L = 300 \Omega$,	$C_L = 35 \text{ pF}$, See Figure 20	25°C	2.5 V	22	70	ns
				Full	2.3 V to 2.7 V		70	
Break-before-make time	t_{BBM}	See Figure 21 for TS5A22362 See Figure 22 for TS5A22364	25°C	2.5 V	1	7		ns
Charge injection	Q_C	$V_{GEN} = 0$, $R_{GEN} = 0$,	$C_L = 1 \text{ nF}$, See Figure 26	25°C	2.5 V	150		pC
NC, NO OFF capacitance (TS5A22362 only)	$C_{NC(OFF)}$, $C_{NO(OFF)}$	V_{NC} or $V_{NO} = V_+$ or GND,	See Figure 19	25°C	2.5 V	70		pF
NC, NO, COM ON capacitance	$C_{COM(ON)}$	$V_{COM} = V_+$ or GND, Switch ON, $f = 10 \text{ MHz}$	See Figure 19	25°C	2.5 V	370		pF
Digital input capacitance	C_I	$V_I = V_+$ or GND	See Figure 19	25°C	2.5 V	2.6		pF
Bandwidth	BW	$R_L = 50 \Omega$, -3 dB	See Figure 21	25°C	2.5 V	17		MHz
OFF isolation	O_{ISO}	$R_L = 50 \Omega$	$f = 100 \text{ kHz}$, See Figure 24	25°C	2.5 V	-66		dB
Crosstalk	X_{TALK}	$R_L = 50 \Omega$	$f = 100 \text{ kHz}$, See Figure 25	25°C	2.5 V	-75		dB
Total harmonic distortion	THD	$R_L = 600 \Omega$, $C_L = 15 \text{ pF}$,	$f = 20 \text{ Hz to } 20 \text{ kHz}$, See Figure 27	25°C	2.5 V	0.01		%
Supply								
Positive supply current	I_+	$V_I = V_+$ or GND	25°C	2.7 V	0.2	1.1		μA
			Full			1.3		
Positive supply current	I_+	$V_I = V_+ - 5.5 \text{ V}$	Full	2.7 V			3.3	μA

ELECTRICAL CHARACTERISTICS FOR 3.3-V SUPPLY⁽¹⁾
 $V_+ = 3\text{ V to }3.6\text{ V}$, $T_A = -40^\circ\text{C to }85^\circ\text{C}$ (unless otherwise noted)

PARAMETER	SYMBOL	TEST CONDITIONS	T_A	V_+	MIN	TYP	MAX	UNIT	
Analog Switch									
Analog signal range	V_{COM}, V_{NO}, V_{NC}				$V_+ - 5.5$		V_+	V	
ON-state resistance	r_{on}	V_{NC} or $V_{NO} \leq V_+$, 1.5 V, $V_+ - 5.5\text{ V}$, $I_{COM} = -100\text{ mA}$,	COM to NO or NC, See Figure 16	25°C	3 V		0.61	0.87	Ω
				Full			0.97		
ON-state resistance match between channels	Δr_{on}	V_{NC} or $V_{NO} = 1.5\text{ V}$, $I_{COM} = -100\text{ mA}$,	COM to NO or NC, See Figure 16	25°C	3 V		0.024	0.13	Ω
				Full			0.13		
ON-state resistance flatness	$r_{on(flat)}$	V_{NC} or $V_{NO} \leq V_+$, 1.5 V, $V_+ - 5.5\text{ V}$, $I_{COM} = -100\text{ mA}$,	COM to NO or NC, See Figure 16	25°C	3 V		0.12	0.46	Ω
				Full			0.5		
Shunt switch resistance (TS5A22364 only)	r_{SH}	I_{NO} or $I_{NC} = 10\text{ mA}$	Full	3 V		25	37	Ω	
NC, NO OFF leakage current (TS5A22362 only)	$I_{NC(OFF)}, I_{NO(OFF)}$	$V_{NC} = 3\text{ V}, V_+ - 5.5\text{ V}$ $V_{COM} = V_+ - 5.5\text{ V}, 3\text{ V}$ $V_{NO} = \text{Open}$ COM to NO or $V_{NO} = 3\text{ V}, V_+ - 5.5\text{ V}$, $V_{COM} = V_+ - 5.5\text{ V}, 3\text{ V}$ $V_{NC} = \text{Open}$ COM to NC	See Figure 17	25°C	3.6 V		-50	50	nA
				Full			-375	375	
COM ON leakage current	$I_{COM(ON)}$	V_{NC} and $V_{NO} = \text{Open}$, $V_{COM} = V_+, V_+ - 5.5\text{ V}$,	COM to NO or NC, See Figure 18	25°C	3.6 V		-50	50	nA
				Full			-375	375	
Digital Control Inputs (IN)⁽²⁾									
Input logic high	V_{IH}		Full		1.4		5.5	V	
Input logic low	V_{IL}		Full				0.8	V	
Input leakage current	I_{IH}, I_{IL}	$V_{IN} = V_+ \text{ or } 0$	25°C	3.6 V		-250	250	nA	
			Full			-250	250		

(1) The algebraic convention, whereby the most negative value is a minimum and the most positive value is a maximum

(2) All unused digital inputs of the device must be held at V_+ or GND to ensure proper device operation. Refer to the TI application report, *Implications of Slow or Floating CMOS Inputs*, literature number SCBA004.

ELECTRICAL CHARACTERISTICS FOR 3.3-V SUPPLY⁽¹⁾ (continued)
 $V_+ = 3\text{ V to }3.6\text{ V}$, $T_A = -40^\circ\text{C to }85^\circ\text{C}$ (unless otherwise noted)

PARAMETER	SYMBOL	TEST CONDITIONS	T_A	V_+	MIN	TYP	MAX	UNIT
Dynamic								
Turn-on time	t_{ON}	$V_{COM} = V_+$, $R_L = 300\ \Omega$, $C_L = 35\text{ pF}$, See Figure 20	25°C	3.3 V		34	80	ns
			Full	3 V to 3.6 V			80	
Turn-off time	t_{OFF}	$V_{COM} = V_+$, $R_L = 300\ \Omega$, $C_L = 35\text{ pF}$, See Figure 20	25°C	3.3 V		19	70	ns
			Full	3 V to 3.6 V			70	
Break-before-make time	t_{BBM}	See Figure 21 for TS5A22362 See Figure 22 for TS5A22364	25°C	3.3 V	1	7		ns
Charge injection	Q_C	$V_{GEN} = 0$, $R_{GEN} = 0$, $C_L = 1\text{ nF}$, See Figure 26	25°C	3.3 V		150		pC
NC, NO OFF capacitance (TS5A22362 only)	$C_{NC(OFF)}$, $C_{NO(OFF)}$	V_{NC} or $V_{NO} = V_+$ or $V_+ - 5.5\text{ V}$, See Figure 19	25°C	3.3 V		70		pF
NC, NO, COM ON capacitance	$C_{COM(ON)}$	$V_{COM} = V_+$ or GND, $f = 10\text{ MHz}$, See Figure 19	25°C	3.3 V		370		pF
Digital input capacitance	C_I	$V_I = V_+$ or GND, See Figure 19	25°C	3.3 V		2.6		pF
Bandwidth	BW	$R_L = 50\ \Omega$, -3 dB, Switch ON, See Figure 21	25°C	3.3 V		17.5		MHz
OFF isolation	O_{ISO}	$R_L = 50\ \Omega$, $f = 100\text{ kHz}$, See Figure 24	25°C	3.3 V		-68		dB
Crosstalk	X_{TALK}	$R_L = 50\ \Omega$, $f = 100\text{ kHz}$, See Figure 25	25°C	3.3 V		-76		dB
Total harmonic distortion	THD	$R_L = 600\ \Omega$, $C_L = 15\text{ pF}$, $f = 20\text{ Hz to }20\text{ kHz}$, See Figure 27	25°C	3.3 V		0.008		%
Supply								
Positive supply current	I_+	$V_I = V_+$ or GND, $V_I = V_+ - 5.5\text{ V}$	25°C	3.6 V		0.1	1.2	μA
			Full				1.3	
			Full				3.4	

ELECTRICAL CHARACTERISTICS FOR 5-V SUPPLY⁽¹⁾
 $V_+ = 4.5 \text{ V to } 5.5 \text{ V}$, $T_A = -40^\circ\text{C to } 85^\circ\text{C}$ (unless otherwise noted)

PARAMETER	SYMBOL	TEST CONDITIONS	T_A	V_+	MIN	TYP	MAX	UNIT
Analog Switch								
Analog signal range	V_{COM}, V_{NO}, V_{NC}				$V_+ - 5.5$		V_+	V
ON-state resistance	r_{on}	V_{NC} or $V_{NO} = V_+, 1.6 \text{ V}$, $V_+ = -5.5 \text{ V}$, $I_{COM} = -100 \text{ mA}$,	COM to NO or NC, See Figure 16	25°C Full	4.5 V	0.52	0.74 0.83	Ω
ON-state resistance match between channels	Δr_{on}	V_{NC} or $V_{NO} = 1.6 \text{ V}$, $I_{COM} = -100 \text{ mA}$,	COM to NO or NC, See Figure 16	25°C Full	4.5 V	0.04	0.23 0.30	Ω
ON-state resistance flatness	$r_{on(Flat)}$	V_{NC} or $V_{NO} = V_+, 1.6 \text{ V}$, $V_+ = -5.5 \text{ V}$, $I_{COM} = -100 \text{ mA}$,	COM to NO or NC, See Figure 16	25°C Full	4.5 V	0.076	0.46 0.5	Ω
Shunt switch resistance (TS5A22364 only)	r_{SH}	I_{NO} or $I_{NC} = 10 \text{ mA}$		Full	4.5 V	16	36	Ω
NC, NO OFF leakage current	$I_{NC(OFF)}, I_{NO(OFF)}$	$V_{NC} = 4.5 \text{ V}, V_+ = 5.5 \text{ V}$ $V_{COM} = V_+ - 5.5 \text{ V}, 4.5 \text{ V}$ $V_{NO} = \text{Open}$ COM to NO or $V_{NO} = 4.5 \text{ V}, V_+ = 5.5 \text{ V}$, $V_{COM} = V_+ - 5.5 \text{ V}, 4.5 \text{ V}$ $V_{NC} = \text{Open}$ COM to NC	See Figure 17	25°C Full	5.5 V	-50 -375	50 375	nA
COM ON leakage current	$I_{COM(ON)}$	V_{NC} and $V_{NO} = \text{Open}$, $V_{COM} = V_+, V_+ - 5.5 \text{ V}$,	See Figure 18	25°C Full	5.5 V	-50 -375	50 375	nA
Digital Control Inputs (IN)⁽²⁾								
Input logic high	V_{IH}			Full		2.4	5.5	V
Input logic low	V_{IL}			Full			0.8	V
Input leakage current	I_{IH}, I_{IL}	$V_{IN} = V_+ \text{ or } 0$		25°C Full	5.5 V	-250 -250	250 250	nA

- (1) The algebraic convention, whereby the most negative value is a minimum and the most positive value is a maximum
(2) All unused digital inputs of the device must be held at V_+ or GND to ensure proper device operation. Refer to the TI application report, *Implications of Slow or Floating CMOS Inputs*, literature number SCBA004.

ELECTRICAL CHARACTERISTICS FOR 5-V SUPPLY⁽¹⁾ (continued)V₊ = 4.5 V to 5.5 V, T_A = –40°C to 85°C (unless otherwise noted)

PARAMETER	SYMBOL	TEST CONDITIONS	T _A	V ₊	MIN	TYP	MAX	UNIT
Dynamic								
Turn-on time	t _{ON}	V _{COM} = V ₊ , R _L = 300 Ω,	C _L = 35 pF, See Figure 20	25°C	5 V	27	80	ns
				Full	4.5 V to 5.5 V		80	
Turn-off time	t _{OFF}	V _{COM} = V ₊ , R _L = 300 Ω,	C _L = 35 pF, See Figure 20	25°C	5 V	13	70	ns
				Full	4.5 V to 5.5 V		70	
Break-before-make time	t _{BBM}	V _{NC} = V _{NO} = V ₊ /2 R _L = 300 Ω,	C _L = 35 pF, See Figure 21	25°C	5 V	1	3.5	ns
Charge injection	Q _C	V _{GEN} = 0, R _{GEN} = 0,	C _L = 1 nF, See Figure 26	25°C	5 V		10	pC
NC, NO OFF capacitance (TS5A22362 only)	C _{NC(OFF)} , C _{NO(OFF)}	V _{NC} or V _{NO} = V ₊ or V ₊ – 5.5 V,	See Figure 19	25°C	5 V		70	pF
NC, NO, COM ON capacitance	C _{COM(ON)}	V _{COM} = V ₊ or GND,	See Figure 19	25°C	5 V		370	pF
Digital input capacitance	C _I	V _I = V ₊ or GND	See Figure 19	25°C	5 V		2.6	pF
Bandwidth	BW	R _L = 50 Ω,	See Figure 21	25°C	5 V		18.3	MHz
OFF isolation	O _{ISO}	R _L = 50 Ω,	f = 100 kHz, See Figure 24	25°C	5 V		–70	dB
Crosstalk	X _{TALK}	R _L = 50 Ω,	f = 100 kHz, See Figure 25	25°C	5 V		–78	dB
Total harmonic distortion	THD	R _L = 600 Ω, C _L = 15 pF,	f = 20 Hz to 20 kHz, See Figure 27	25°C	5 V		0.009	%
Supply								
Positive supply current	I ₊	V _I = V ₊ or GND		25°C	5.5 V	0.2	1.3	μA
				Full			3.5	
				Full			5	

TYPICAL PERFORMANCE

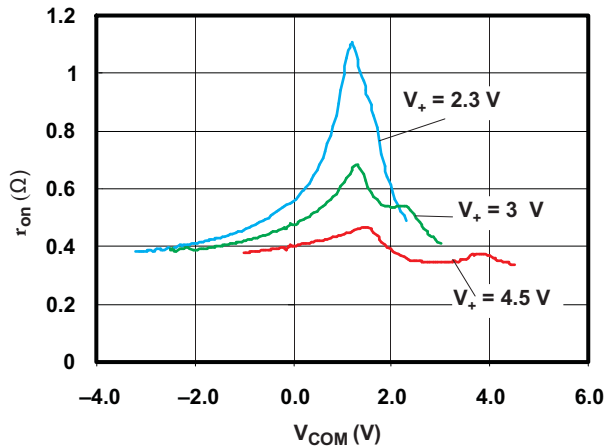


Figure 3. r_{on} vs V_{COM}

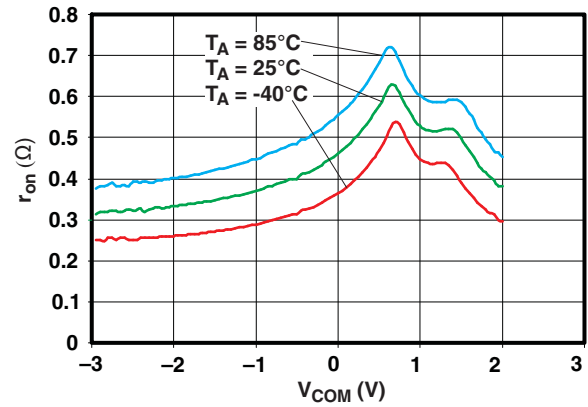


Figure 4. r_{on} vs V_{COM} ($V_+ = 2.7$ V)

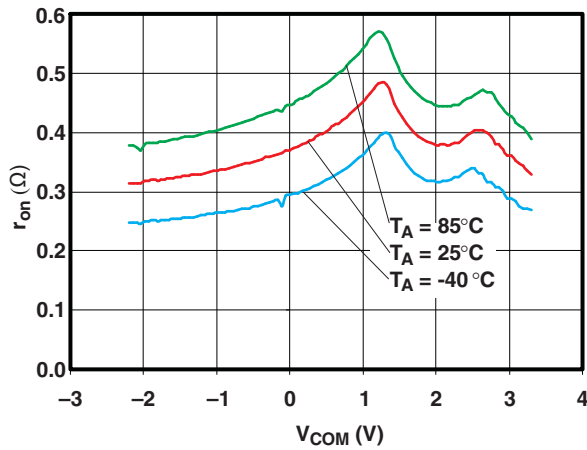


Figure 5. r_{on} vs V_{COM} ($V_+ = 3.3$ V)

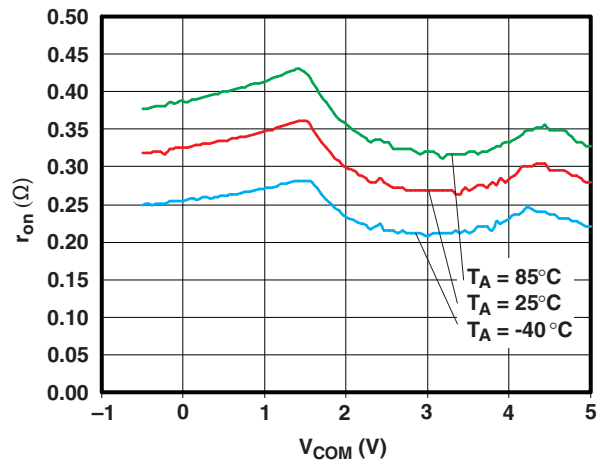


Figure 6. r_{on} vs V_{COM} ($V_+ = 5$ V)

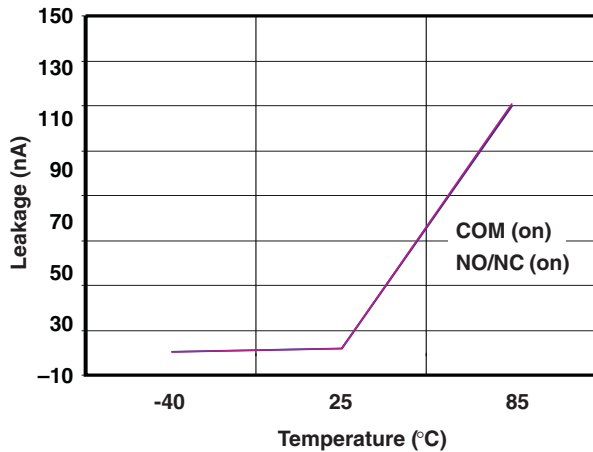


Figure 7. Leakage Current vs Temperature

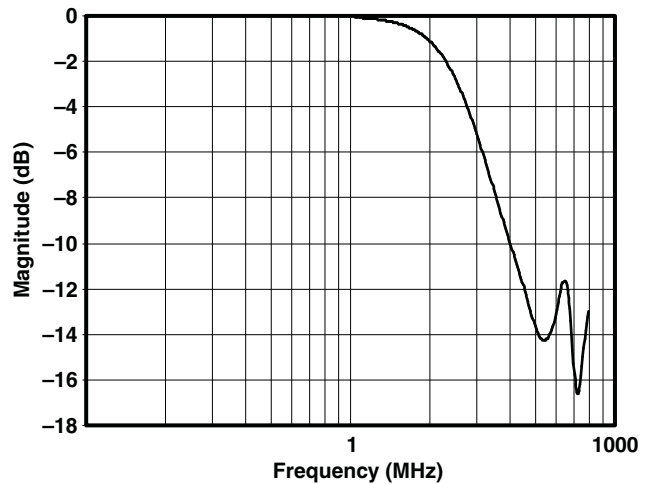


Figure 8. Insertion Loss

TYPICAL PERFORMANCE (continued)

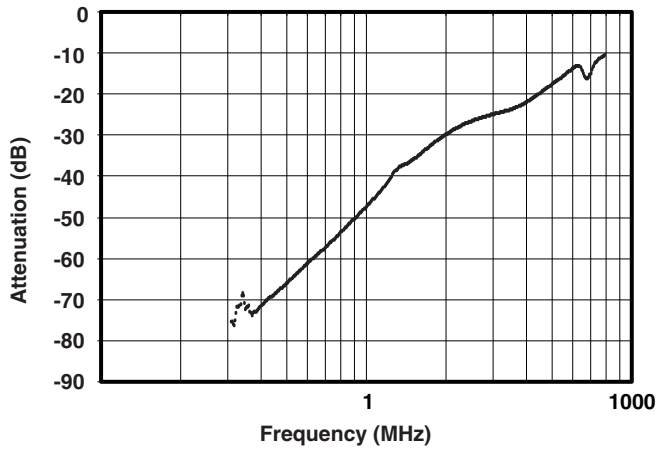


Figure 9. OFF Isolation vs Frequency

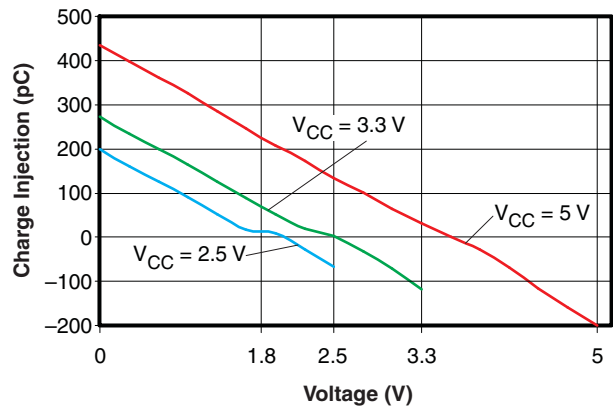


Figure 10. Charge Injection (Q_C) vs V_{COM}

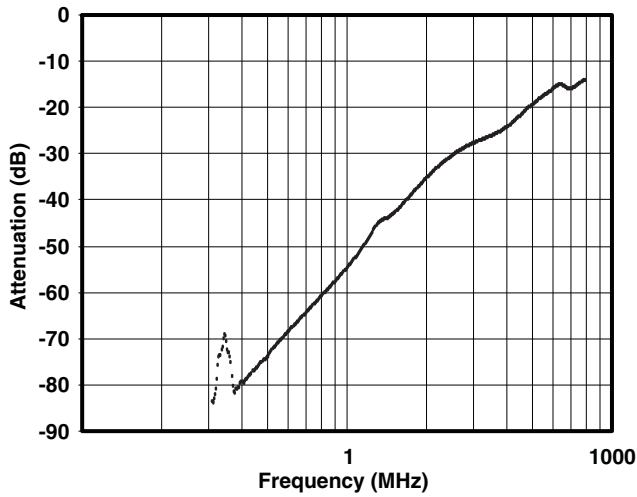


Figure 11. Crosstalk ($V_+ = 3.3$ V)

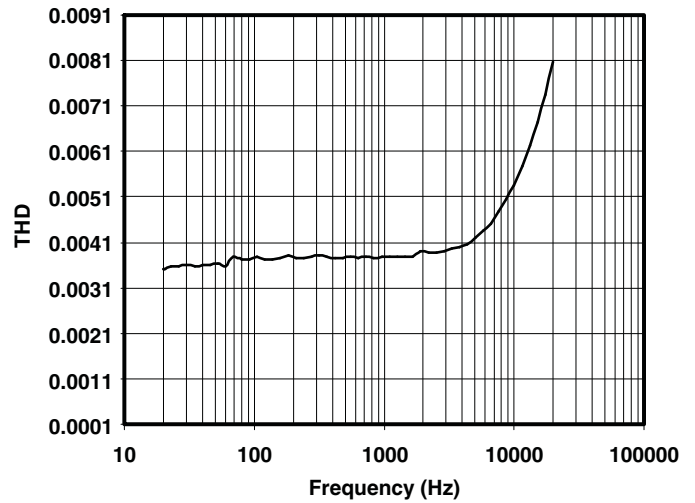


Figure 12. Total Harmonic Distortion vs Frequency

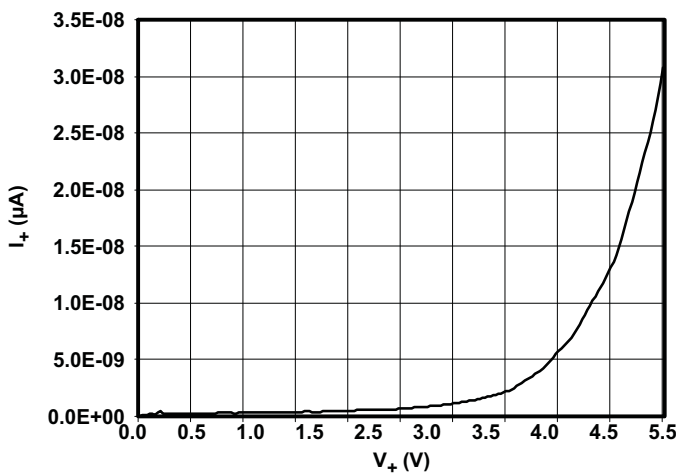


Figure 13. Power-Supply Current vs V_+

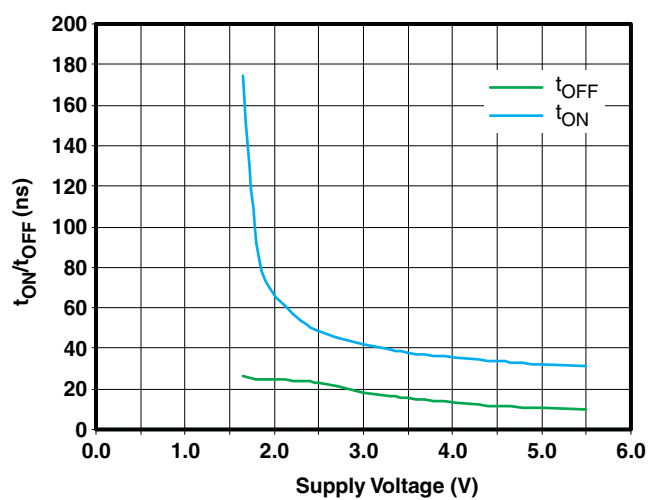
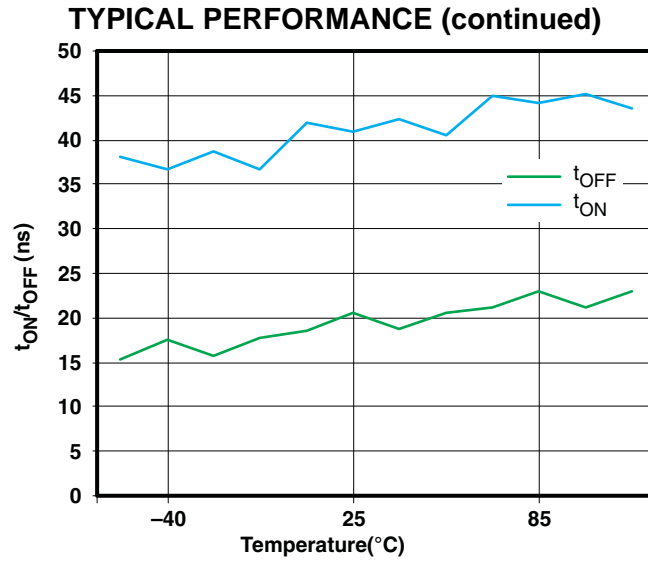


Figure 14. t_{ON} and t_{OFF} vs Supply Voltage



PARAMETER MEASUREMENT INFORMATION

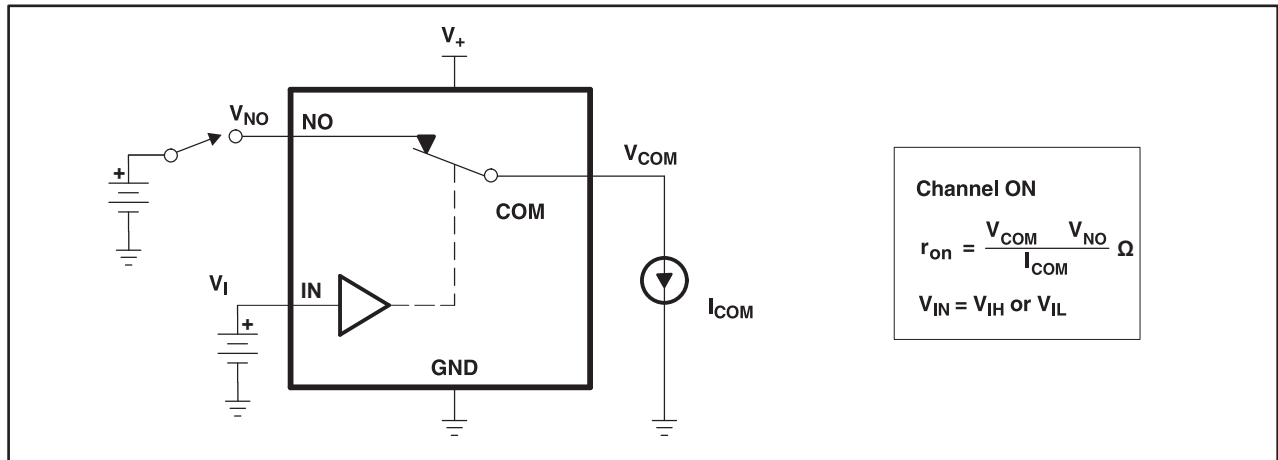


Figure 16. ON-State Resistance (r_{ON})

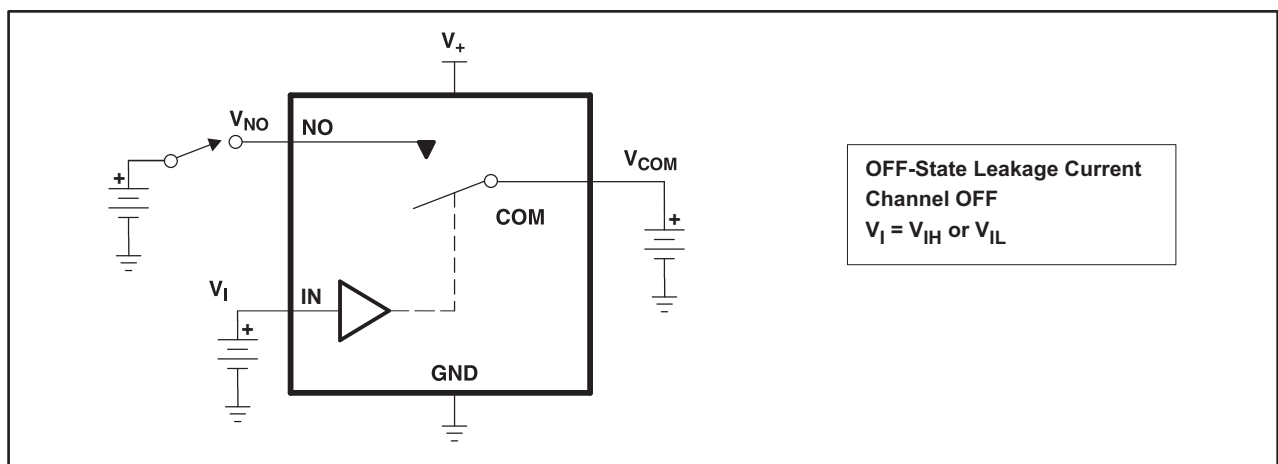


Figure 17. OFF-State Leakage Current ($I_{COM(OFF)}$, $I_{NO(OFF)}$)

PARAMETER MEASUREMENT INFORMATION (continued)

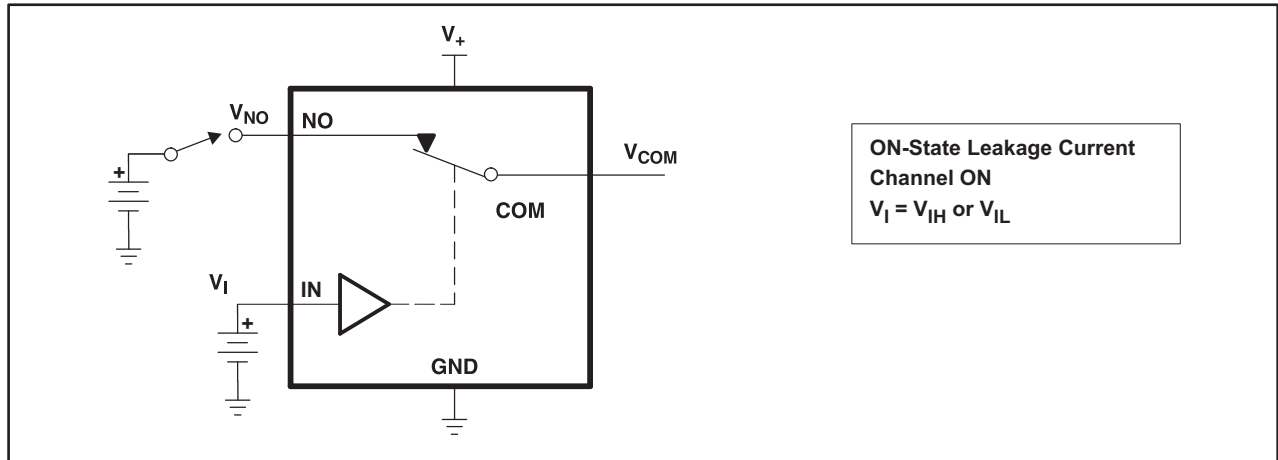


Figure 18. ON-State Leakage Current
($I_{COM(ON)}$, $I_{NO(ON)}$)

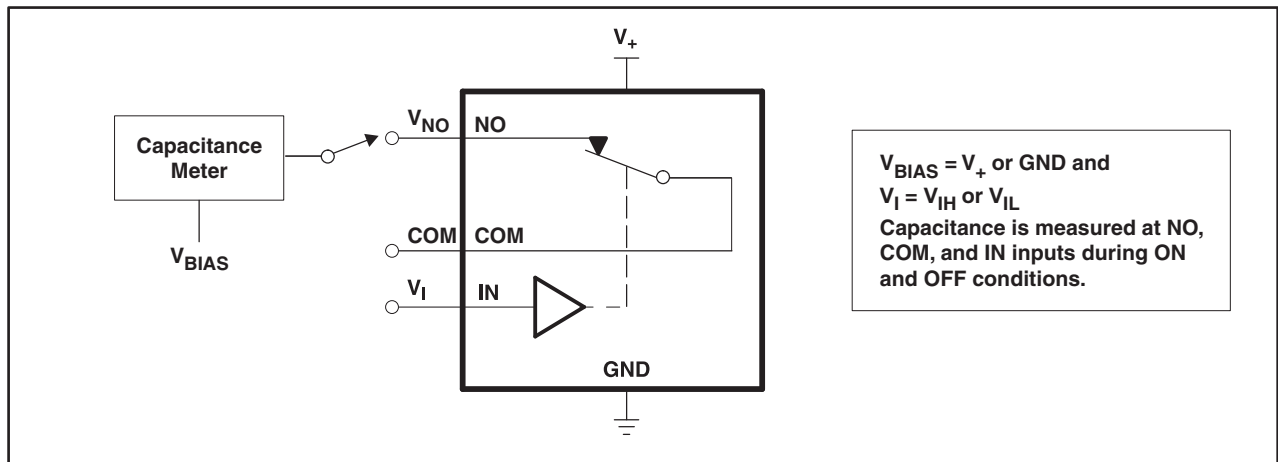


Figure 19. Capacitance
(C_I , $C_{COM(OFF)}$, $C_{COM(ON)}$, $C_{NO(OFF)}$, $C_{NO(ON)}$)

- A. All input pulses are supplied by generators having the following characteristics: $PRR \leq 10$ MHz, $Z_O = 50 \Omega$, $t_r < 5$ ns, $t_f < 5$ ns.
- B. C_L includes probe and jig capacitance.

PARAMETER MEASUREMENT INFORMATION (continued)

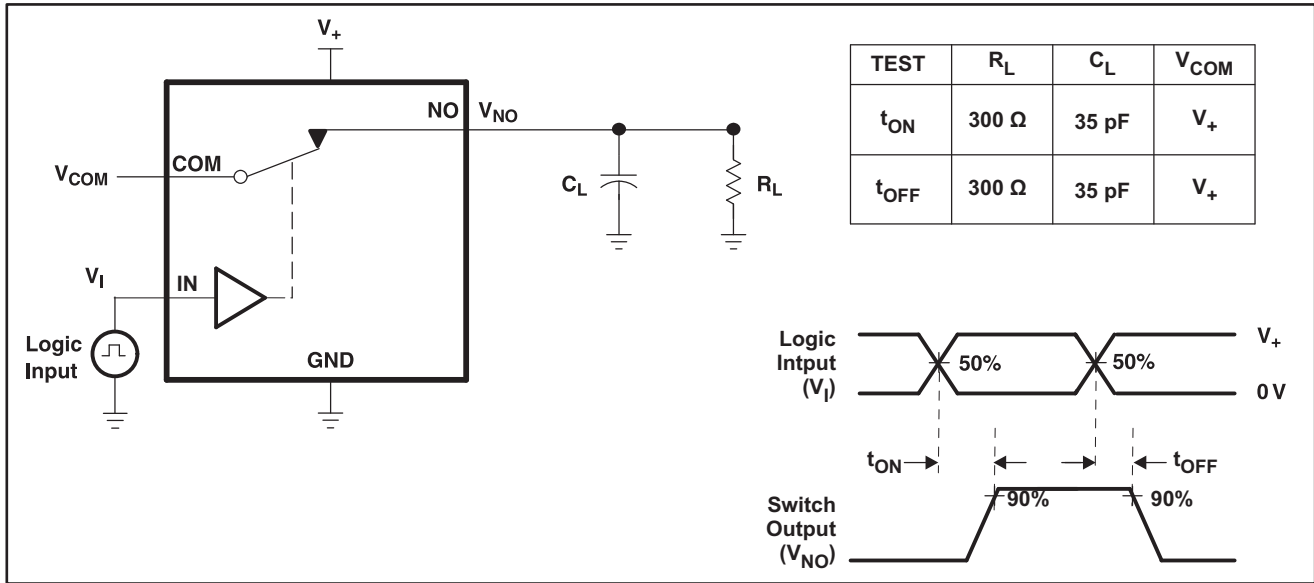


Figure 20. Turn-On (t_{ON}) and Turn-Off Time (t_{OFF})

- A. C_L includes probe and jig capacitance.
- B. All input pulses are supplied by generators having the following characteristics: PRR ≤ 10 MHz, Z_O = 50 Ω, t_r < 5 ns, t_f < 5 ns.

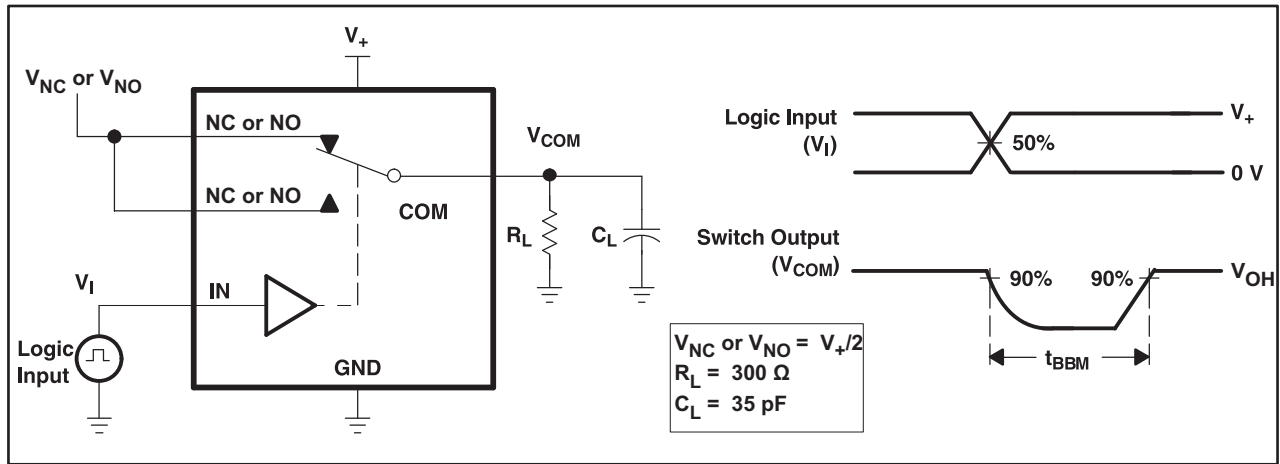


Figure 21. Break-Before-Make Time (t_{BBM}) (TS5A22362 Only)

PARAMETER MEASUREMENT INFORMATION (continued)

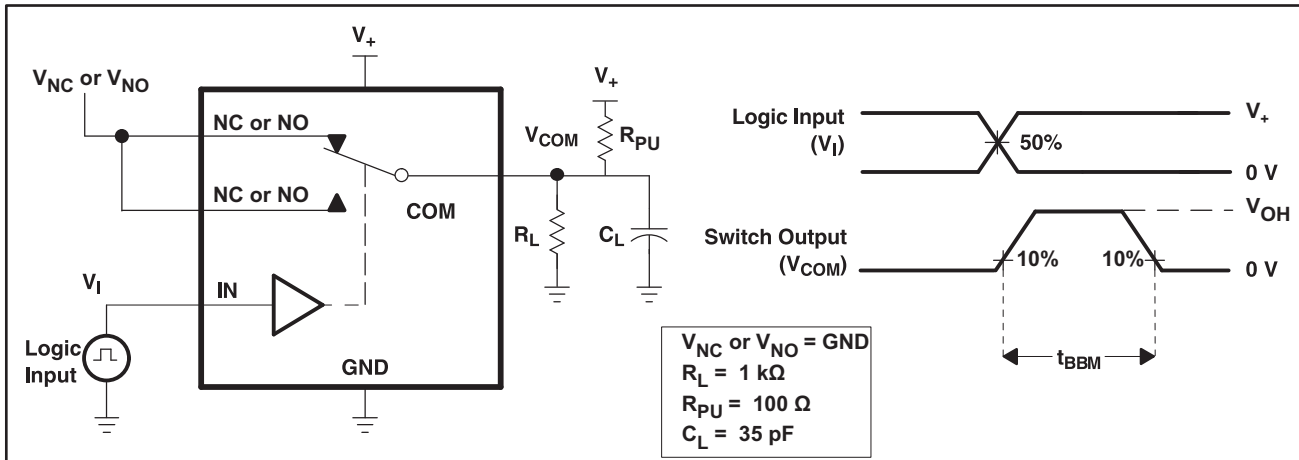


Figure 22. Break-Before-Make Time (t_{BBM})
(TS5A22364 Only)

- A. C_L includes probe and jig capacitance.
- B. All input pulses are supplied by generators having the following characteristics: $PRR \leq 10$ MHz, $Z_O = 50 \Omega$, $t_r < 5$ ns, $t_f < 5$ ns.

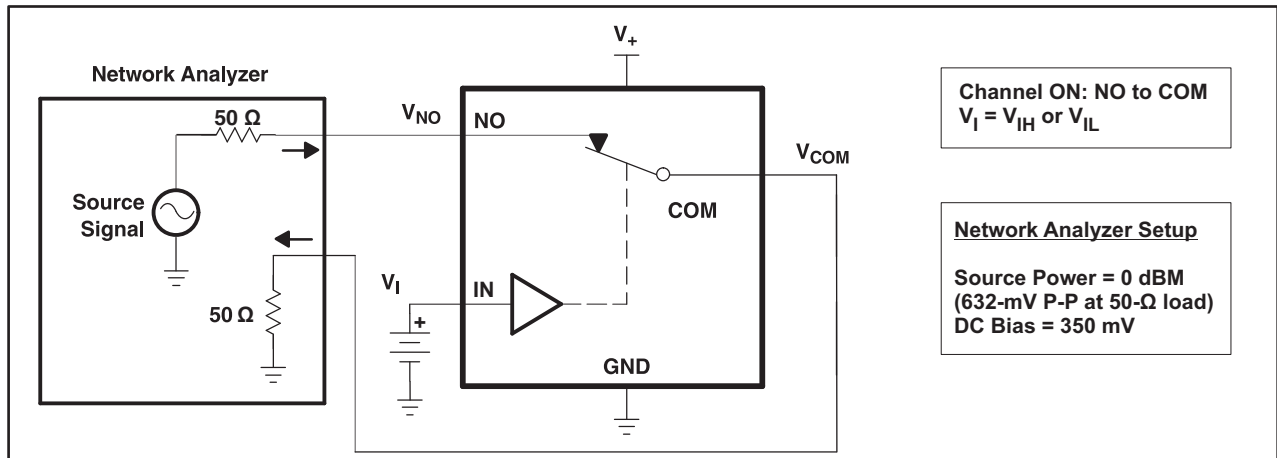


Figure 23. Bandwidth (BW)

PARAMETER MEASUREMENT INFORMATION (continued)

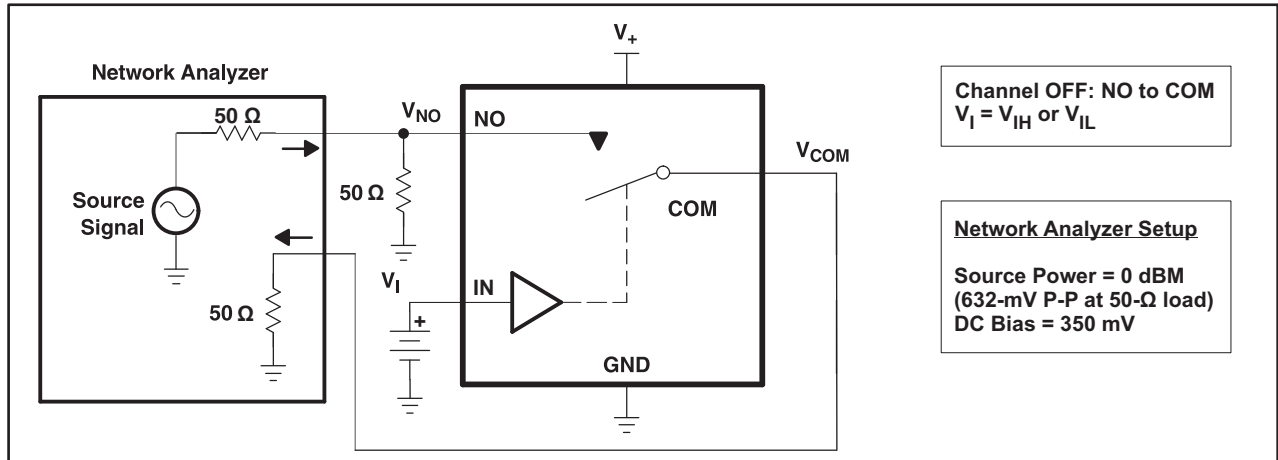


Figure 24. OFF Isolation (O_{ISO})

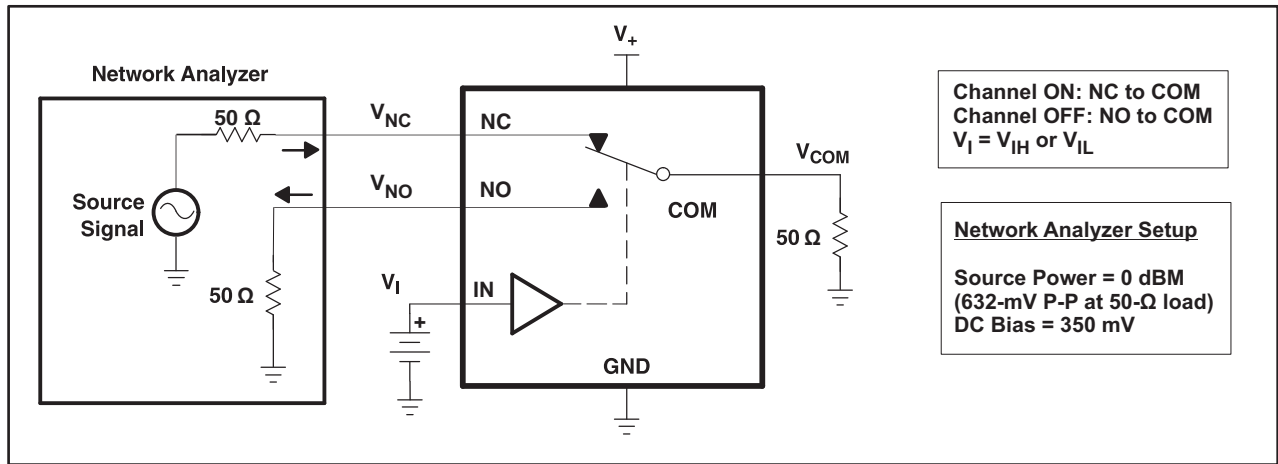


Figure 25. Crosstalk (X_{TALK})

- A. All input pulses are supplied by generators having the following characteristics: $PRR \leq 10$ MHz, $Z_O = 50 \Omega$, $t_r < 5$ ns, $t_f < 5$ ns.
- B. C_L includes probe and jig capacitance.

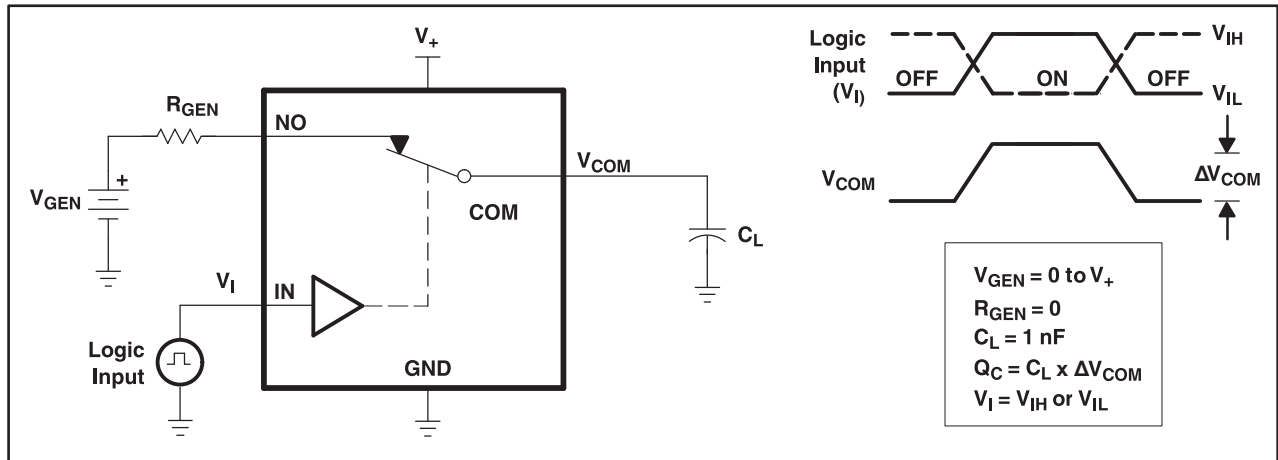


Figure 26. Charge Injection (Q_C)

PARAMETER MEASUREMENT INFORMATION (continued)

A. C_L includes probe and jig capacitance.

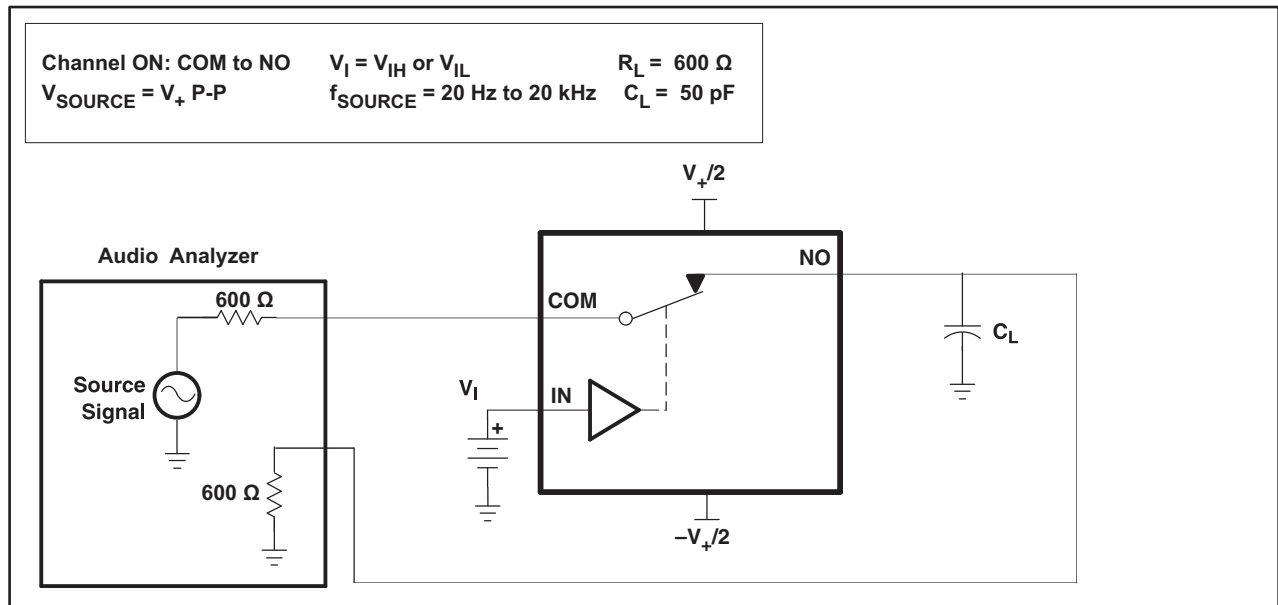


Figure 27. Total Harmonic Distortion (THD)

REVISION HISTORY

Changes from Revision C (April 2010) to Revision D **Page**

- Added Medical Imaging to Application. [1](#)

Changes from Revision D (November 2011) to Revision E **Page**

- Updated I_{NC} , I_{NO} , I_{COM} MIN and MAX values in the ABSOLUTE RATINGS table.. [4](#)

PACKAGING INFORMATION

Orderable Device	Status (1)	Package Type	Package Drawing	Pins	Package Qty	Eco Plan (2)	Lead/Ball Finish (6)	MSL Peak Temp (3)	Op Temp (°C)	Device Marking (4/5)	Samples
TS5A22362DGSR	ACTIVE	VSSOP	DGS	10	2500	Green (RoHS & no Sb/Br)	CU NIPDAU	Level-1-260C-UNLIM	-40 to 85	39R	Samples
TS5A22362DGSRG4	ACTIVE	VSSOP	DGS	10	2500	Green (RoHS & no Sb/Br)	CU NIPDAU	Level-1-260C-UNLIM	-40 to 85	39R	Samples
TS5A22362DRCR	ACTIVE	VSON	DRC	10	3000	Green (RoHS & no Sb/Br)	CU NIPDAU	Level-2-260C-1 YEAR	-40 to 85	ZVG	Samples
TS5A22362DRCT-NM	ACTIVE	VSON	DRC	10	250	Green (RoHS & no Sb/Br)	CU SN	Level-2-260C-1 YEAR	-40 to 85	ZVGNM	Samples
TS5A22362YZPR	ACTIVE	DSBGA	YZP	10	3000	Green (RoHS & no Sb/Br)	SNAGCU	Level-1-260C-UNLIM	-40 to 85	(39 ~ 392)	Samples
TS5A22364DGSR	ACTIVE	VSSOP	DGS	10	2500	Green (RoHS & no Sb/Br)	CU NIPDAU	Level-1-260C-UNLIM	-40 to 85	(38Q ~ 38R)	Samples
TS5A22364DGSRG4	ACTIVE	VSSOP	DGS	10	2500	Green (RoHS & no Sb/Br)	CU NIPDAU	Level-1-260C-UNLIM	-40 to 85	(38Q ~ 38R)	Samples
TS5A22364DRCR	ACTIVE	VSON	DRC	10	3000	Green (RoHS & no Sb/Br)	CU NIPDAU	Level-2-260C-1 YEAR	-40 to 85	ZVF	Samples
TS5A22364YZPR	ACTIVE	DSBGA	YZP	10	3000	Green (RoHS & no Sb/Br)	SNAGCU	Level-1-260C-UNLIM	-40 to 85	(38 ~ 382)	Samples

(1) The marketing status values are defined as follows:

ACTIVE: Product device recommended for new designs.

LIFEBUY: TI has announced that the device will be discontinued, and a lifetime-buy period is in effect.

NRND: Not recommended for new designs. Device is in production to support existing customers, but TI does not recommend using this part in a new design.

PREVIEW: Device has been announced but is not in production. Samples may or may not be available.

OBSOLETE: TI has discontinued the production of the device.

(2) Eco Plan - The planned eco-friendly classification: Pb-Free (RoHS), Pb-Free (RoHS Exempt), or Green (RoHS & no Sb/Br) - please check <http://www.ti.com/productcontent> for the latest availability information and additional product content details.

TBD: The Pb-Free/Green conversion plan has not been defined.

Pb-Free (RoHS): TI's terms "Lead-Free" or "Pb-Free" mean semiconductor products that are compatible with the current RoHS requirements for all 6 substances, including the requirement that lead not exceed 0.1% by weight in homogeneous materials. Where designed to be soldered at high temperatures, TI Pb-Free products are suitable for use in specified lead-free processes.

Pb-Free (RoHS Exempt): This component has a RoHS exemption for either 1) lead-based flip-chip solder bumps used between the die and package, or 2) lead-based die adhesive used between the die and leadframe. The component is otherwise considered Pb-Free (RoHS compatible) as defined above.

Green (RoHS & no Sb/Br): TI defines "Green" to mean Pb-Free (RoHS compatible), and free of Bromine (Br) and Antimony (Sb) based flame retardants (Br or Sb do not exceed 0.1% by weight in homogeneous material)

- (3) MSL, Peak Temp. - The Moisture Sensitivity Level rating according to the JEDEC industry standard classifications, and peak solder temperature.
- (4) There may be additional marking, which relates to the logo, the lot trace code information, or the environmental category on the device.
- (5) Multiple Device Markings will be inside parentheses. Only one Device Marking contained in parentheses and separated by a "-" will appear on a device. If a line is indented then it is a continuation of the previous line and the two combined represent the entire Device Marking for that device.
- (6) Lead/Ball Finish - Orderable Devices may have multiple material finish options. Finish options are separated by a vertical ruled line. Lead/Ball Finish values may wrap to two lines if the finish value exceeds the maximum column width.

Important Information and Disclaimer:The information provided on this page represents TI's knowledge and belief as of the date that it is provided. TI bases its knowledge and belief on information provided by third parties, and makes no representation or warranty as to the accuracy of such information. Efforts are underway to better integrate information from third parties. TI has taken and continues to take reasonable steps to provide representative and accurate information but may not have conducted destructive testing or chemical analysis on incoming materials and chemicals. TI and TI suppliers consider certain information to be proprietary, and thus CAS numbers and other limited information may not be available for release.

In no event shall TI's liability arising out of such information exceed the total purchase price of the TI part(s) at issue in this document sold by TI to Customer on an annual basis.

OTHER QUALIFIED VERSIONS OF TS5A22364 :

- Automotive: [TS5A22364-Q1](#)

NOTE: Qualified Version Definitions:

- Automotive - Q100 devices qualified for high-reliability automotive applications targeting zero defects

TAPE AND REEL INFORMATION

QUADRANT ASSIGNMENTS FOR PIN 1 ORIENTATION IN TAPE


*All dimensions are nominal

Device	Package Type	Package Drawing	Pins	SPQ	Reel Diameter (mm)	Reel Width W1 (mm)	A0 (mm)	B0 (mm)	K0 (mm)	P1 (mm)	W (mm)	Pin1 Quadrant
TS5A22362DGSR	VSSOP	DGS	10	2500	330.0	12.4	5.3	3.4	1.4	8.0	12.0	Q1
TS5A22362DRCR	VSON	DRC	10	3000	330.0	12.4	3.3	3.3	1.1	8.0	12.0	Q2
TS5A22362DRCT-NM	VSON	DRC	10	250	180.0	12.4	3.3	3.3	1.1	8.0	12.0	Q2
TS5A22362YZPR	DSBGA	YZP	10	3000	178.0	9.2	1.49	1.99	0.63	4.0	8.0	Q2
TS5A22364DGSR	VSSOP	DGS	10	2500	330.0	12.4	5.3	3.4	1.4	8.0	12.0	Q1
TS5A22364DRCR	VSON	DRC	10	3000	330.0	12.4	3.3	3.3	1.1	8.0	12.0	Q2
TS5A22364YZPR	DSBGA	YZP	10	3000	178.0	9.2	1.49	1.99	0.63	4.0	8.0	Q2

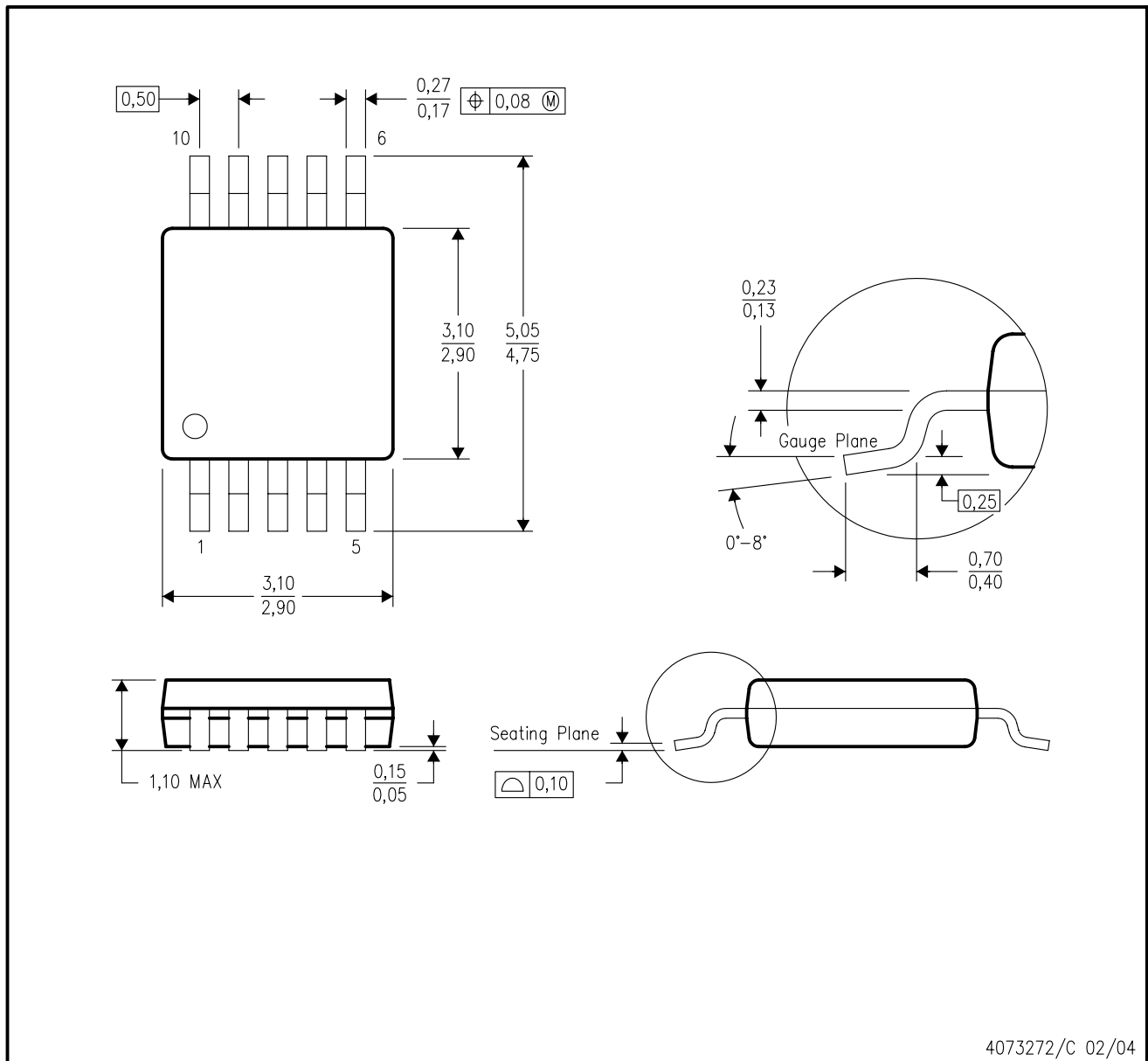
TAPE AND REEL BOX DIMENSIONS


*All dimensions are nominal

Device	Package Type	Package Drawing	Pins	SPQ	Length (mm)	Width (mm)	Height (mm)
TS5A22362DGSR	VSSOP	DGS	10	2500	358.0	335.0	35.0
TS5A22362DRCR	VSON	DRC	10	3000	367.0	367.0	35.0
TS5A22362DRCT-NM	VSON	DRC	10	250	210.0	185.0	35.0
TS5A22362YZPR	DSBGA	YZP	10	3000	220.0	220.0	35.0
TS5A22364DGSR	VSSOP	DGS	10	2500	358.0	335.0	35.0
TS5A22364DRCR	VSON	DRC	10	3000	367.0	367.0	35.0
TS5A22364YZPR	DSBGA	YZP	10	3000	220.0	220.0	35.0

DGS (S-PDSO-G10)

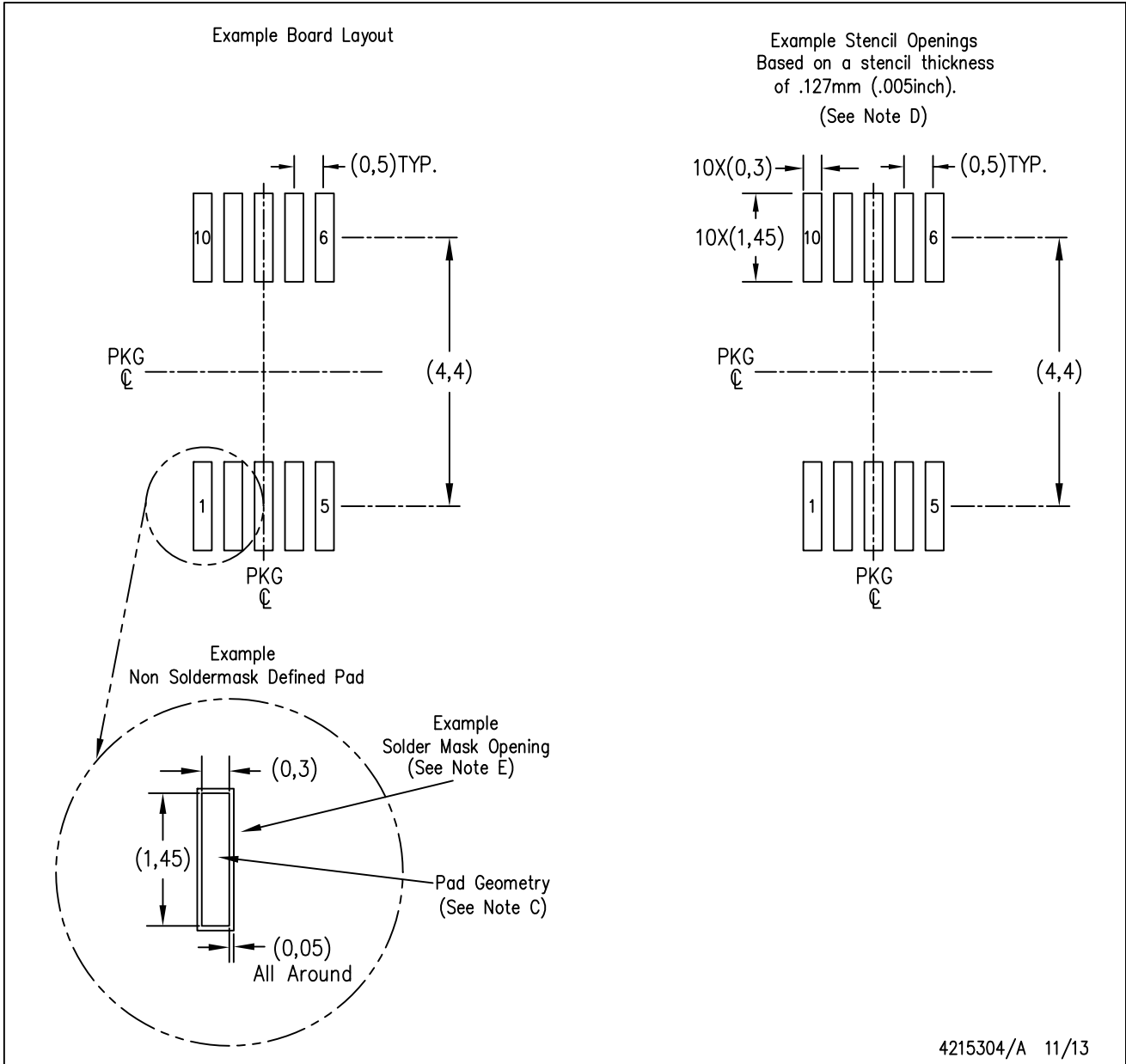
PLASTIC SMALL-OUTLINE PACKAGE



- NOTES:
- A. All linear dimensions are in millimeters.
 - B. This drawing is subject to change without notice.
 - C. Body dimensions do not include mold flash or protrusion.
 - D. Falls within JEDEC MO-187 variation BA.

DGS (S-PDSO-G10)

PLASTIC SMALL OUTLINE PACKAGE



- NOTES:
- All linear dimensions are in millimeters.
 - This drawing is subject to change without notice.
 - Publication IPC-7351 is recommended for alternate designs.
 - Laser cutting apertures with trapezoidal walls and also rounding corners will offer better paste release. Customers should contact their board assembly site for stencil design recommendations. Refer to IPC-7525 for other stencil recommendations.
 - Customers should contact their board fabrication site for solder mask tolerances between and around signal pads.

DRC (S-PVSON-N10)

PLASTIC SMALL OUTLINE NO-LEAD



- NOTES:
- All linear dimensions are in millimeters. Dimensioning and tolerancing per ASME Y14.5M-1994.
 - This drawing is subject to change without notice.
 - Small Outline No-Lead (SON) package configuration.
 - The package thermal pad must be soldered to the board for thermal and mechanical performance, if present.
 - See the additional figure in the Product Data Sheet for details regarding the exposed thermal pad features and dimensions, if present

THERMAL PAD MECHANICAL DATA

DRC (S-PVSON-N10)

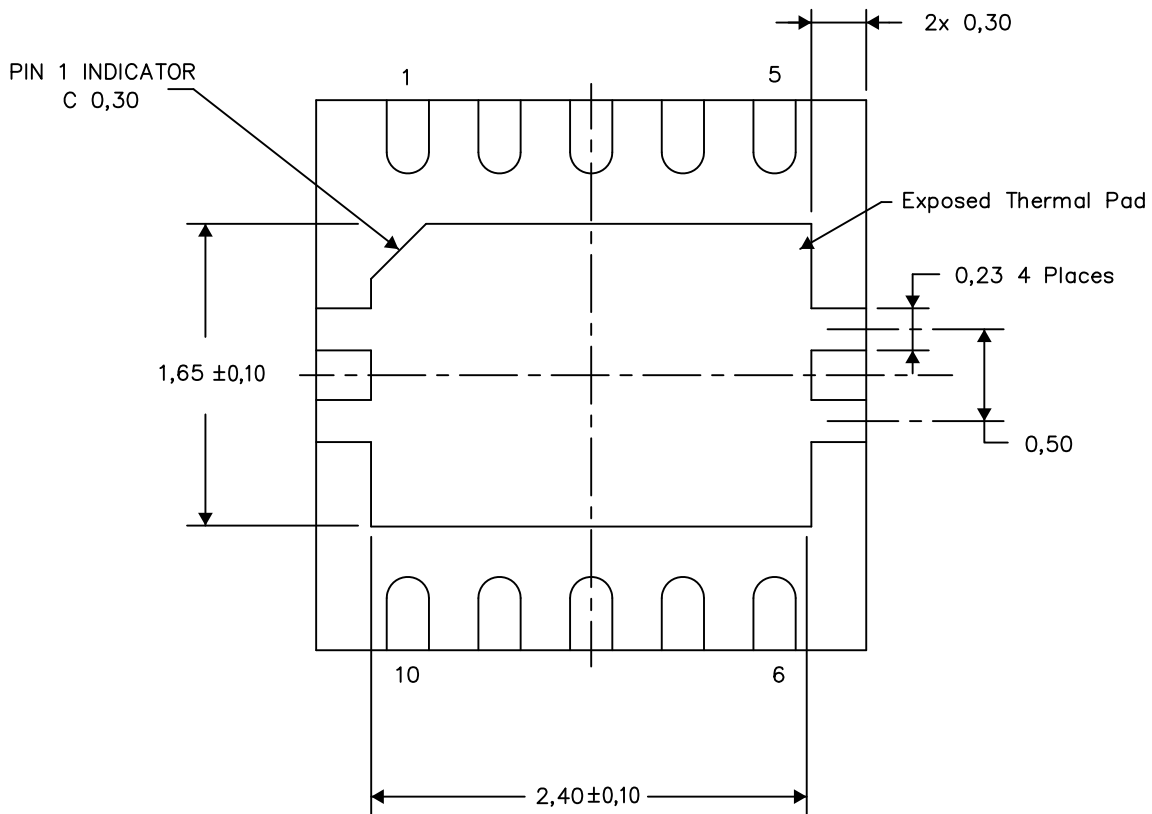
PLASTIC SMALL OUTLINE NO-LEAD

THERMAL INFORMATION

This package incorporates an exposed thermal pad that is designed to be attached directly to an external heatsink. The thermal pad must be soldered directly to the printed circuit board (PCB). After soldering, the PCB can be used as a heatsink. In addition, through the use of thermal vias, the thermal pad can be attached directly to the appropriate copper plane shown in the electrical schematic for the device, or alternatively, can be attached to a special heatsink structure designed into the PCB. This design optimizes the heat transfer from the integrated circuit (IC).

For information on the Quad Flatpack No-Lead (QFN) package and its advantages, refer to Application Report, QFN/SON PCB Attachment, Texas Instruments Literature No. SLUA271. This document is available at www.ti.com.

The exposed thermal pad dimensions for this package are shown in the following illustration.



Bottom View

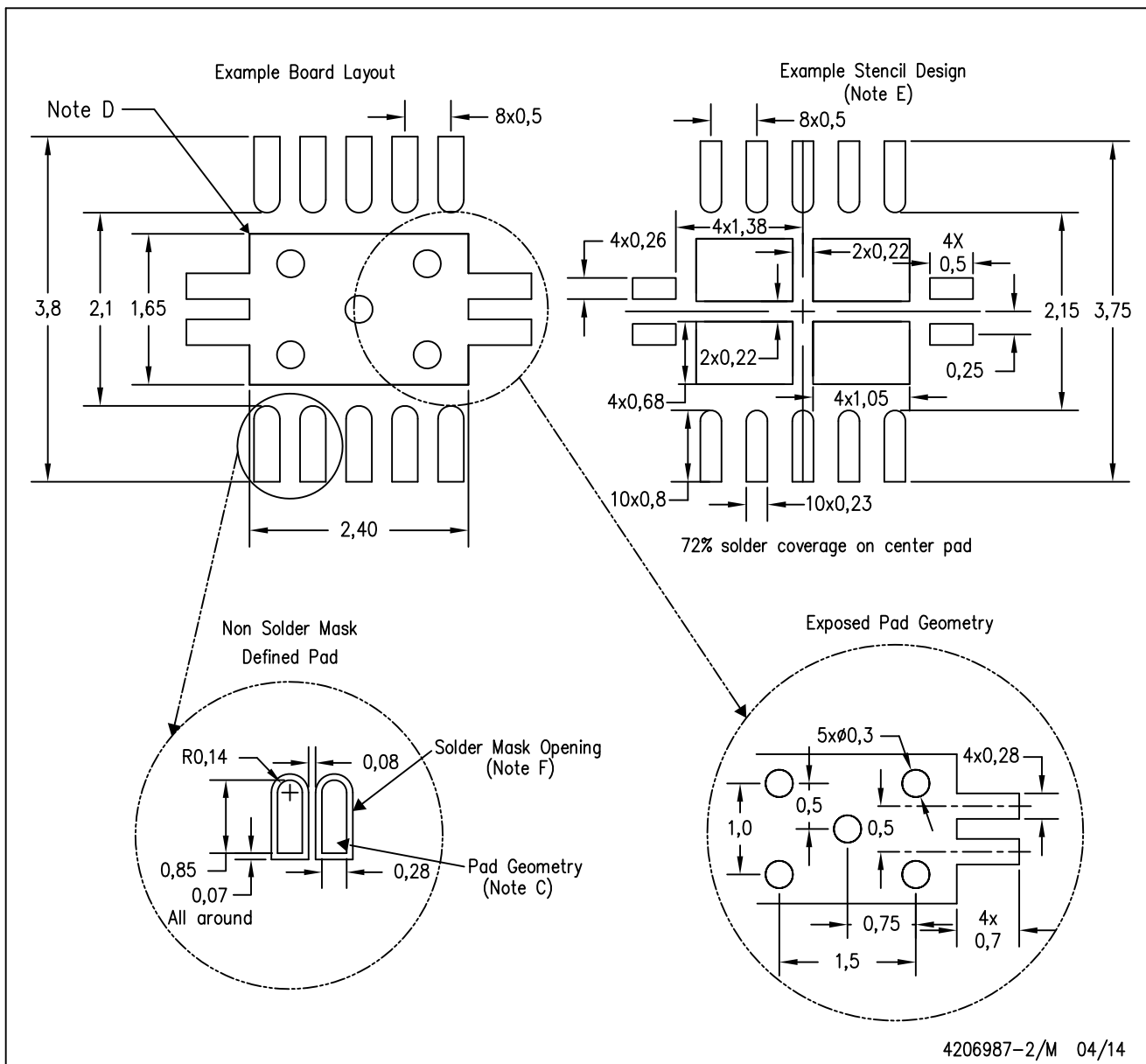
Exposed Thermal Pad Dimensions

4206565-3/U 04/14

NOTE: A. All linear dimensions are in millimeters

DRC (S-PVSON-N10)

PLASTIC SMALL OUTLINE NO-LEAD



- NOTES:
- All linear dimensions are in millimeters.
 - This drawing is subject to change without notice.
 - Publication IPC-7351 is recommended for alternate designs.
 - This package is designed to be soldered to a thermal pad on the board. Refer to Application Note, Quad Flat-Pack Packages, Texas Instruments Literature No. SLUA271, and also the Product Data Sheets for specific thermal information, via requirements, and recommended board layout. These documents are available at www.ti.com <<http://www.ti.com>>.
 - Laser cutting apertures with trapezoidal walls and also rounding corners will offer better paste release. Customers should contact their board assembly site for stencil design recommendations. Refer to IPC 7525 for stencil design considerations.
 - Customers should contact their board fabrication site for minimum solder mask web tolerances between signal pads.

THERMAL PAD MECHANICAL DATA

DRC (S-PVSON-N10)

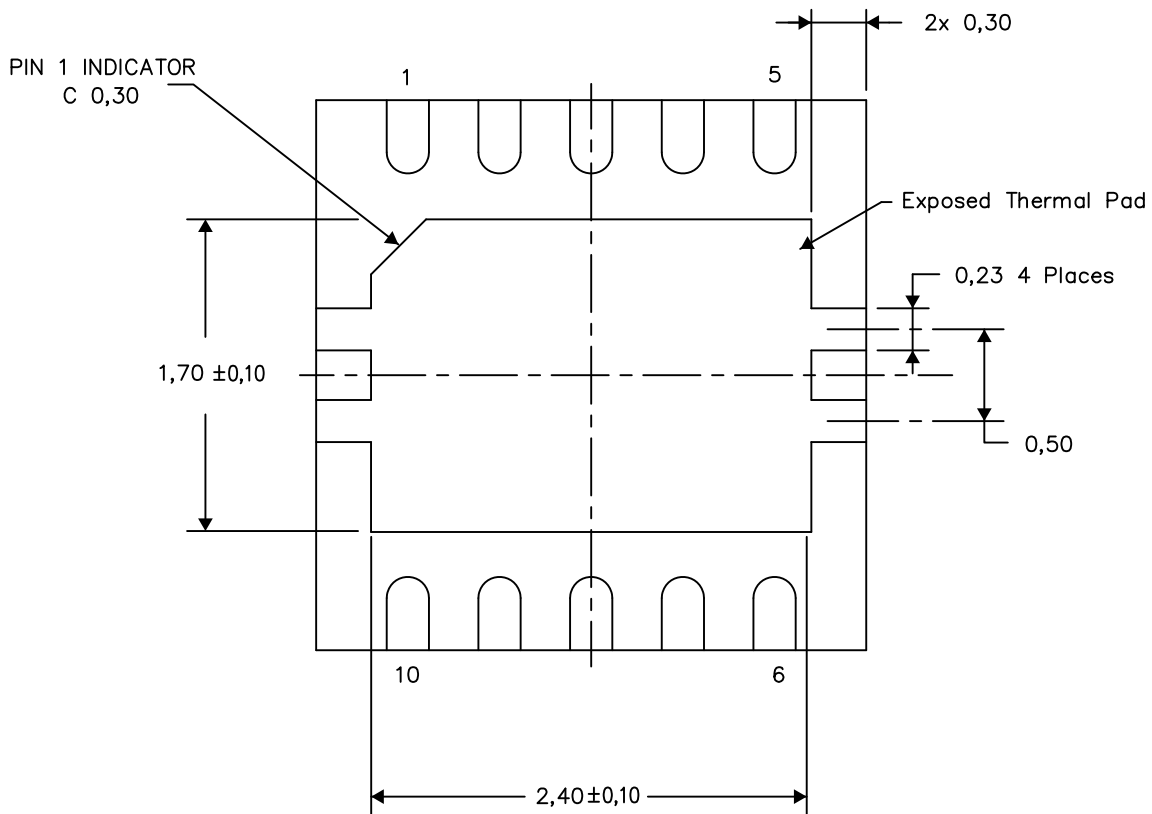
PLASTIC SMALL OUTLINE NO-LEAD

THERMAL INFORMATION

This package incorporates an exposed thermal pad that is designed to be attached directly to an external heatsink. The thermal pad must be soldered directly to the printed circuit board (PCB). After soldering, the PCB can be used as a heatsink. In addition, through the use of thermal vias, the thermal pad can be attached directly to the appropriate copper plane shown in the electrical schematic for the device, or alternatively, can be attached to a special heatsink structure designed into the PCB. This design optimizes the heat transfer from the integrated circuit (IC).

For information on the Quad Flatpack No-Lead (QFN) package and its advantages, refer to Application Report, QFN/SON PCB Attachment, Texas Instruments Literature No. SLUA271. This document is available at www.ti.com.

The exposed thermal pad dimensions for this package are shown in the following illustration.



Bottom View

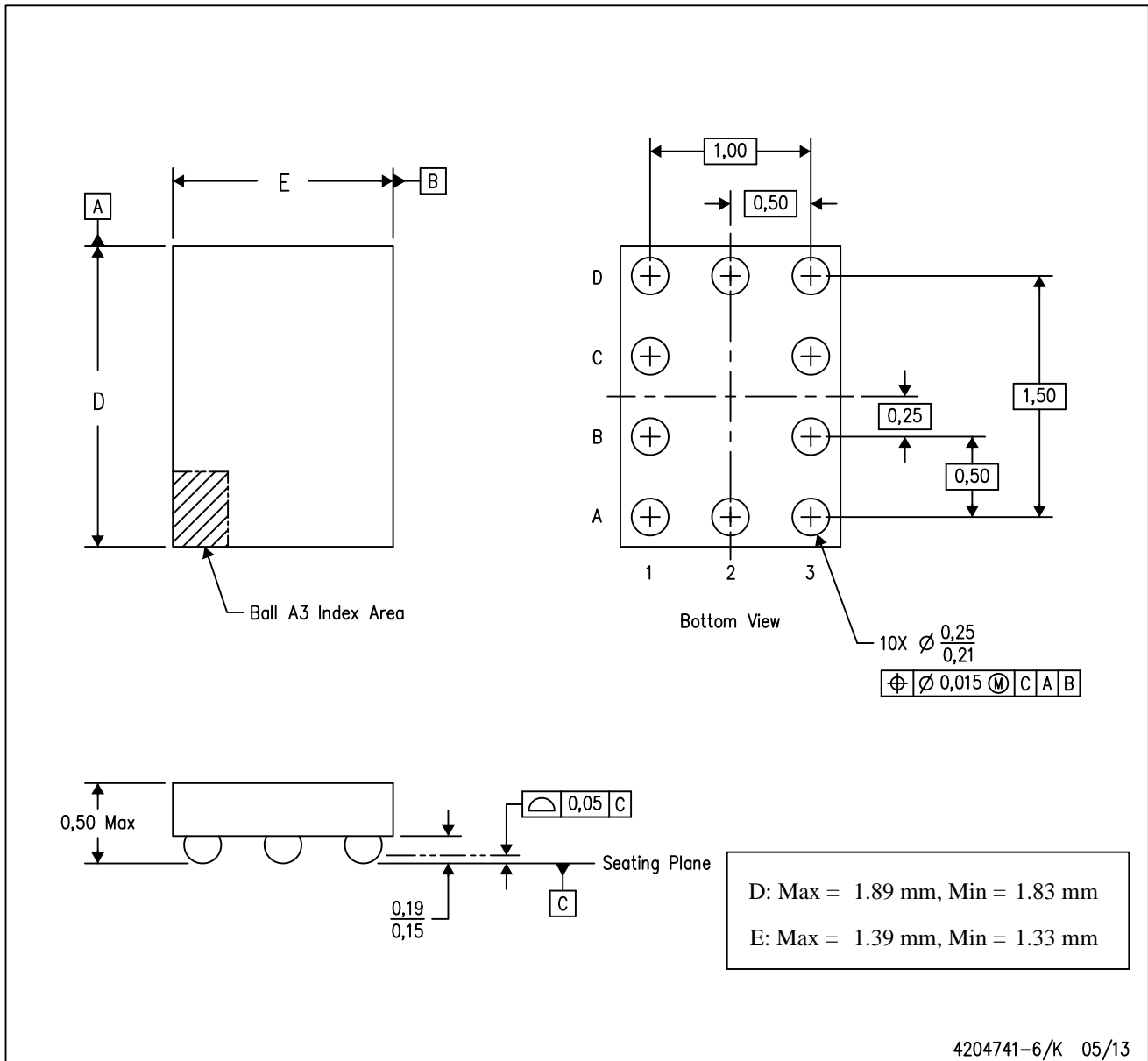
Exposed Thermal Pad Dimensions

4206565-8/U 04/14

NOTE: A. All linear dimensions are in millimeters

YZP (R-XBGA-N10)

(CUSTOM) DIE-SIZE BALL GRID ARRAY



- NOTES:
- All linear dimensions are in millimeters. Dimensioning and tolerancing per ASME Y14.5M-1994.
 - This drawing is subject to change without notice.
 - NanoFree™ package configuration.

NanoFree is a trademark of Texas Instruments.

IMPORTANT NOTICE

Texas Instruments Incorporated and its subsidiaries (TI) reserve the right to make corrections, enhancements, improvements and other changes to its semiconductor products and services per JESD46, latest issue, and to discontinue any product or service per JESD48, latest issue. Buyers should obtain the latest relevant information before placing orders and should verify that such information is current and complete. All semiconductor products (also referred to herein as "components") are sold subject to TI's terms and conditions of sale supplied at the time of order acknowledgment.

TI warrants performance of its components to the specifications applicable at the time of sale, in accordance with the warranty in TI's terms and conditions of sale of semiconductor products. Testing and other quality control techniques are used to the extent TI deems necessary to support this warranty. Except where mandated by applicable law, testing of all parameters of each component is not necessarily performed.

TI assumes no liability for applications assistance or the design of Buyers' products. Buyers are responsible for their products and applications using TI components. To minimize the risks associated with Buyers' products and applications, Buyers should provide adequate design and operating safeguards.

TI does not warrant or represent that any license, either express or implied, is granted under any patent right, copyright, mask work right, or other intellectual property right relating to any combination, machine, or process in which TI components or services are used. Information published by TI regarding third-party products or services does not constitute a license to use such products or services or a warranty or endorsement thereof. Use of such information may require a license from a third party under the patents or other intellectual property of the third party, or a license from TI under the patents or other intellectual property of TI.

Reproduction of significant portions of TI information in TI data books or data sheets is permissible only if reproduction is without alteration and is accompanied by all associated warranties, conditions, limitations, and notices. TI is not responsible or liable for such altered documentation. Information of third parties may be subject to additional restrictions.

Resale of TI components or services with statements different from or beyond the parameters stated by TI for that component or service voids all express and any implied warranties for the associated TI component or service and is an unfair and deceptive business practice. TI is not responsible or liable for any such statements.

Buyer acknowledges and agrees that it is solely responsible for compliance with all legal, regulatory and safety-related requirements concerning its products, and any use of TI components in its applications, notwithstanding any applications-related information or support that may be provided by TI. Buyer represents and agrees that it has all the necessary expertise to create and implement safeguards which anticipate dangerous consequences of failures, monitor failures and their consequences, lessen the likelihood of failures that might cause harm and take appropriate remedial actions. Buyer will fully indemnify TI and its representatives against any damages arising out of the use of any TI components in safety-critical applications.

In some cases, TI components may be promoted specifically to facilitate safety-related applications. With such components, TI's goal is to help enable customers to design and create their own end-product solutions that meet applicable functional safety standards and requirements. Nonetheless, such components are subject to these terms.

No TI components are authorized for use in FDA Class III (or similar life-critical medical equipment) unless authorized officers of the parties have executed a special agreement specifically governing such use.

Only those TI components which TI has specifically designated as military grade or "enhanced plastic" are designed and intended for use in military/aerospace applications or environments. Buyer acknowledges and agrees that any military or aerospace use of TI components which have **not** been so designated is solely at the Buyer's risk, and that Buyer is solely responsible for compliance with all legal and regulatory requirements in connection with such use.

TI has specifically designated certain components as meeting ISO/TS16949 requirements, mainly for automotive use. In any case of use of non-designated products, TI will not be responsible for any failure to meet ISO/TS16949.

Products

Audio	www.ti.com/audio
Amplifiers	amplifier.ti.com
Data Converters	dataconverter.ti.com
DLP® Products	www.dlp.com
DSP	dsp.ti.com
Clocks and Timers	www.ti.com/clocks
Interface	interface.ti.com
Logic	logic.ti.com
Power Mgmt	power.ti.com
Microcontrollers	microcontroller.ti.com
RFID	www.ti-rfid.com
OMAP Applications Processors	www.ti.com/omap
Wireless Connectivity	www.ti.com/wirelessconnectivity

Applications

Automotive and Transportation	www.ti.com/automotive
Communications and Telecom	www.ti.com/communications
Computers and Peripherals	www.ti.com/computers
Consumer Electronics	www.ti.com/consumer-apps
Energy and Lighting	www.ti.com/energy
Industrial	www.ti.com/industrial
Medical	www.ti.com/medical
Security	www.ti.com/security
Space, Avionics and Defense	www.ti.com/space-avionics-defense
Video and Imaging	www.ti.com/video

TI E2E Community

e2e.ti.com



Стандарт Электрон Связь

Мы молодая и активно развивающаяся компания в области поставок электронных компонентов. Мы поставляем электронные компоненты отечественного и импортного производства напрямую от производителей и с крупнейших складов мира.

Благодаря сотрудничеству с мировыми поставщиками мы осуществляем комплексные и плановые поставки широчайшего спектра электронных компонентов.

Собственная эффективная логистика и склад в обеспечивает надежную поставку продукции в точно указанные сроки по всей России.

Мы осуществляем техническую поддержку нашим клиентам и предпродажную проверку качества продукции. На все поставляемые продукты мы предоставляем гарантию .

Осуществляем поставки продукции под контролем ВП МО РФ на предприятия военно-промышленного комплекса России , а также работаем в рамках 275 ФЗ с открытием отдельных счетов в уполномоченном банке. Система менеджмента качества компании соответствует требованиям ГОСТ ISO 9001.

Минимальные сроки поставки, гибкие цены, неограниченный ассортимент и индивидуальный подход к клиентам являются основой для выстраивания долгосрочного и эффективного сотрудничества с предприятиями радиоэлектронной промышленности, предприятиями ВПК и научно-исследовательскими институтами России.

С нами вы становитесь еще успешнее!

Наши контакты:

Телефон: +7 812 627 14 35

Электронная почта: sales@st-electron.ru

Адрес: 198099, Санкт-Петербург,
Промышленная ул, дом № 19, литера Н,
помещение 100-Н Офис 331