

# DRQ Series

## Dual Winding, Shielded Inductors/Transformer



### Description

- 125°C maximum total operating temperature
- Dual winding inductors that can be used as either a single inductor, or in coupled inductor/transformer applications (1:1 turns ratio)
- Four sizes of shielded drum core inductors
- Windings can be connected in series or parallel, offering a broad range of inductance and current ratings

- Peak current ratings from 0.13 amps to 56 amps
- RMS current ratings from 0.128 amps to 17.9 amps
- Inductance ratings from 0.33μH to 4.02mH
- Surface Mount
- 200Vac Isolation between windings
- Ferrite core material



### Applications

- As a transformer: SEPIC, flyback
- As an inductor: buck, boost, coupled inductor
- DC-DC converters
- VRM inductor for CPU and DDR power supplies
- Input and output filter chokes

### Environmental Data

- Storage temperature: -40°C to +125°C
- Operating temperature: -40°C to +125°C (range is application specific).
- Solder reflow temperature: 260°C max. for 10 seconds max.

### Packaging

- Supplied in tape and reel packaging, 1350 (DRQ73), 1100 (DRQ74), 600 (DRQ125), and 350 (DRQ127) per reel

| Part Number | Rated Inductance (μH) | Parallel Ratings               |                                      |   |                           |                           | Series Ratings                 |                                      |   |                           |                           |
|-------------|-----------------------|--------------------------------|--------------------------------------|---|---------------------------|---------------------------|--------------------------------|--------------------------------------|---|---------------------------|---------------------------|
|             |                       | OCL <sup>(1)</sup> +/-20% (μH) | I <sub>rms</sub> <sup>(2)</sup> Amps | I <sub>sat</sub> <sup>(3)</sup> Amps Peak | DCR Ω <sup>(4)</sup> typ. | Volt <sup>(6)</sup> μ-Sec | OCL <sup>(1)</sup> +/-20% (μH) | I <sub>rms</sub> <sup>(2)</sup> Amps | I <sub>sat</sub> <sup>(3)</sup> Amps Peak | DCR Ω <sup>(4)</sup> typ. | Volt <sup>(6)</sup> μ-Sec |
| DRQ73-R33-R | 0.33                  | 0.306                          | 6.19                                 | 14.4                                      | 0.0074                    | 1.98                      | 1.224                          | 3.10                                 | 7.18                                      | 0.0296                    | 3.96                      |
| DRQ73-1R0-R | 1.00                  | 0.992                          | 5.25                                 | 7.97                                      | 0.0103                    | 3.56                      | 3.968                          | 2.63                                 | 3.99                                      | 0.0411                    | 7.12                      |
| DRQ73-1R5-R | 1.50                  | 1.482                          | 4.64                                 | 6.52                                      | 0.0132                    | 4.36                      | 5.928                          | 2.32                                 | 3.26                                      | 0.0527                    | 8.72                      |
| DRQ73-2R2-R | 2.20                  | 2.070                          | 4.11                                 | 5.52                                      | 0.0167                    | 5.15                      | 8.280                          | 2.06                                 | 2.76                                      | 0.0669                    | 10.3                      |
| DRQ73-3R3-R | 3.30                  | 3.540                          | 3.31                                 | 4.22                                      | 0.0259                    | 6.73                      | 14.16                          | 1.66                                 | 2.11                                      | 0.1035                    | 13.5                      |
| DRQ73-4R7-R | 4.70                  | 4.422                          | 3.09                                 | 3.78                                      | 0.0297                    | 7.52                      | 17.69                          | 1.55                                 | 1.89                                      | 0.1188                    | 15.0                      |
| DRQ73-6R8-R | 6.80                  | 6.480                          | 2.55                                 | 3.12                                      | 0.0435                    | 9.11                      | 25.92                          | 1.28                                 | 1.56                                      | 0.1742                    | 18.2                      |
| DRQ73-8R2-R | 8.20                  | 8.930                          | 2.19                                 | 2.66                                      | 0.0592                    | 10.7                      | 35.72                          | 1.10                                 | 1.33                                      | 0.2368                    | 21.4                      |
| DRQ73-100-R | 10.0                  | 10.30                          | 2.08                                 | 2.47                                      | 0.0656                    | 11.5                      | 41.20                          | 1.04                                 | 1.24                                      | 0.2623                    | 23.0                      |
| DRQ73-150-R | 15.0                  | 15.01                          | 1.83                                 | 2.05                                      | 0.0844                    | 13.9                      | 60.04                          | 0.916                                | 1.03                                      | 0.339                     | 27.8                      |
| DRQ73-220-R | 22.0                  | 22.65                          | 1.62                                 | 1.67                                      | 0.107                     | 17.0                      | 90.60                          | 0.811                                | 0.83                                      | 0.429                     | 34.0                      |
| DRQ73-330-R | 33.0                  | 34.41                          | 1.31                                 | 1.35                                      | 0.166                     | 21.0                      | 137.6                          | 0.653                                | 0.68                                      | 0.665                     | 42.0                      |
| DRQ73-470-R | 47.0                  | 48.62                          | 1.08                                 | 1.14                                      | 0.241                     | 24.9                      | 194.5                          | 0.542                                | 0.57                                      | 0.965                     | 49.8                      |
| DRQ73-680-R | 68.0                  | 68.91                          | 0.89                                 | 0.96                                      | 0.358                     | 29.7                      | 275.6                          | 0.444                                | 0.48                                      | 1.43                      | 59.4                      |
| DRQ73-820-R | 82.0                  | 80.37                          | 0.86                                 | 0.89                                      | 0.384                     | 32.1                      | 321.5                          | 0.430                                | 0.44                                      | 1.54                      | 64.2                      |
| DRQ73-101-R | 100                   | 101.4                          | 0.73                                 | 0.79                                      | 0.527                     | 36.0                      | 405.6                          | 0.367                                | 0.39                                      | 2.11                      | 72.0                      |

1) Open Circuit Inductance Test Parameters: 100kHz, 0.25 V<sub>rms</sub>, 0.0 Adc  
Parallel: (1,2 -4,3) Series: (1-4) tie (2-3)

2) RMS current for an approximate ΔT of 40°C without core loss. It is recommended that the temperature of the part not exceed 125°C.

3) Peak current for approximately 30% roll-off at 20°C

4) DCR limits @ 20°C

5) Applied Volt-Time product (V-μS) across the inductor. This value represents the applied V-μS at 100kHz necessary to generate a core loss equal to 10% of the total losses for a 40°C temperature rise.

6) Turns Ratio (1:3):(2-4) 1:1

7) Part number definition: DRQxxx-yyy-R  
DRQxxx = product code and size,  
-yyy = inductance value in μH,  
R = decimal point. If no R is present, third character = # of zeros  
-R suffix = RoHS compliant

| Part Number  | Rated Inductance (µH) | Parallel Ratings                     |   |   |                              |                              | Series Ratings                       |   |   |                              |                              |
|--------------|-----------------------|--------------------------------------|---|---|------------------------------|------------------------------|--------------------------------------|---|---|------------------------------|------------------------------|
|              |                       | OCL <sup>(1)</sup><br>+/-20%<br>(µH) | I <sub>rms</sub> <sup>(2)</sup><br>Amps | I <sub>sat</sub> <sup>(3)</sup><br>Amps<br>Peak | DCR Ω <sup>(4)</sup><br>typ. | Volt <sup>(6)</sup><br>µ-Sec | OCL <sup>(1)</sup><br>+/-20%<br>(µH) | I <sub>rms</sub> <sup>(2)</sup><br>Amps | I <sub>sat</sub> <sup>(3)</sup><br>Amps<br>Peak | DCR Ω <sup>(4)</sup><br>typ. | Volt <sup>(6)</sup><br>µ-Sec |
| DRQ73-151-R  | 150                   | 150.9                                | 0.58                                    | 0.65  | 0.851                        | 44.0                         | 603.6                                | 0.289                                   | 0.32  | 3.41                         | 88.0                         |
| DRQ73-221-R  | 220                   | 223.3                                | 0.52                                    | 0.53  | 1.05                         | 53.5                         | 893.2                                | 0.260                                   | 0.27  | 4.20                         | 107                          |
| DRQ73-331-R  | 330                   | 325.5                                | 0.42                                    | 0.44  | 1.59                         | 64.5                         | 1302                                 | 0.211                                   | 0.22  | 6.36                         | 129                          |
| DRQ73-471-R  | 470                   | 465.8                                | 0.35                                    | 0.37  | 2.36                         | 77.2                         | 1863                                 | 0.173                                   | 0.18  | 9.44                         | 154                          |
| DRQ73-681-R  | 680                   | 676.5                                | 0.29                                    | 0.31  | 3.47                         | 93.1                         | 2706                                 | 0.143                                   | 0.15  | 13.88                        | 186                          |
| DRQ73-821-R  | 820                   | 821.7                                | 0.27                                    | 0.28  | 3.93                         | 103                          | 3287                                 | 0.134                                   | 0.14  | 15.72                        | 206                          |
| DRQ73-102-R  | 1000                  | 995.0                                | 0.26                                    | 0.25  | 4.34                         | 113                          | 3980                                 | 0.128                                   | 0.13  | 17.36                        | 226                          |
| DRQ74-R33-R  | 0.33                  | 0.294                                | 6.20                                    | 18.4  | 0.0074                       | 1.71                         | 1.176                                | 3.10                                    | 9.18  | 0.0295                       | 3.42                         |
| DRQ74-1R0-R  | 1.00                  | 0.952                                | 5.33                                    | 10.2  | 0.0100                       | 3.08                         | 3.808                                | 2.66                                    | 5.10  | 0.0400                       | 6.16                         |
| DRQ74-1R5-R  | 1.50                  | 1.422                                | 4.96                                    | 8.35  | 0.0115                       | 3.76                         | 5.688                                | 2.48                                    | 4.17  | 0.0461                       | 7.52                         |
| DRQ74-2R2-R  | 2.20                  | 1.986                                | 4.66                                    | 7.06  | 0.0130                       | 4.45                         | 7.944                                | 2.33                                    | 3.53  | 0.0521                       | 8.9                          |
| DRQ74-3R3-R  | 3.30                  | 3.396                                | 3.94                                    | 5.40  | 0.0183                       | 5.81                         | 13.58                                | 1.97                                    | 2.70  | 0.0732                       | 11.6                         |
| DRQ74-4R7-R  | 4.70                  | 5.182                                | 3.34                                    | 4.37  | 0.0254                       | 7.18                         | 20.73                                | 1.67                                    | 2.19  | 0.102                        | 14.4                         |
| DRQ74-6R8-R  | 6.80                  | 7.344                                | 2.60                                    | 3.67  | 0.0418                       | 8.55                         | 29.38                                | 1.30                                    | 1.84  | 0.167                        | 17.1                         |
| DRQ74-8R2-R  | 8.20                  | 8.566                                | 2.53                                    | 3.40  | 0.0441                       | 9.23                         | 34.26                                | 1.27                                    | 1.70  | 0.177                        | 18.5                         |
| DRQ74-100-R  | 10.0                  | 9.882                                | 2.41                                    | 3.17  | 0.0489                       | 9.92                         | 39.53                                | 1.20                                    | 1.58  | 0.196                        | 19.8                         |
| DRQ74-150-R  | 15.0                  | 16.09                                | 2.11                                    | 2.48  | 0.0637                       | 12.7                         | 64.36                                | 1.05                                    | 1.24  | 0.255                        | 25.4                         |
| DRQ74-220-R  | 22.0                  | 21.73                                | 1.75                                    | 2.13  | 0.0925                       | 14.7                         | 86.92                                | 0.874                                   | 1.07  | 0.371                        | 29.4                         |
| DRQ74-330-R  | 33.0                  | 33.01                                | 1.41                                    | 1.73  | 0.143                        | 18.1                         | 132.0                                | 0.702                                   | 0.87  | 0.574                        | 36.2                         |
| DRQ74-470-R  | 47.0                  | 49.64                                | 1.15                                    | 1.41  | 0.216                        | 22.2                         | 198.6                                | 0.573                                   | 0.71  | 0.865                        | 44.4                         |
| DRQ74-680-R  | 68.0                  | 69.67                                | 1.03                                    | 1.19  | 0.265                        | 26.3                         | 278.7                                | 0.517                                   | 0.60  | 1.06                         | 52.6                         |
| DRQ74-820-R  | 82.0                  | 80.95                                | 0.91                                    | 1.11  | 0.345                        | 28.4                         | 323.8                                | 0.453                                   | 0.55  | 1.38                         | 56.8                         |
| DRQ74-101-R  | 100                   | 101.6                                | 0.86                                    | 0.99  | 0.383                        | 31.8                         | 406.4                                | 0.430                                   | 0.49  | 1.53                         | 63.6                         |
| DRQ74-151-R  | 150                   | 150.0                                | 0.69                                    | 0.81  | 0.591                        | 38.6                         | 600.0                                | 0.346                                   | 0.41  | 2.37                         | 77.2                         |
| DRQ74-221-R  | 220                   | 227.0                                | 0.56                                    | 0.66  | 0.907                        | 47.5                         | 908.0                                | 0.279                                   | 0.33  | 3.63                         | 95                           |
| DRQ74-331-R  | 330                   | 335.6                                | 0.45                                    | 0.54  | 1.41                         | 57.8                         | 1342                                 | 0.224                                   | 0.27  | 5.66                         | 116                          |
| DRQ74-471-R  | 470                   | 465.3                                | 0.40                                    | 0.46  | 1.74                         | 68.1                         | 1861                                 | 0.202                                   | 0.23  | 6.97                         | 136                          |
| DRQ74-681-R  | 680                   | 671.2                                | 0.33                                    | 0.38  | 2.58                         | 81.7                         | 2685                                 | 0.166                                   | 0.19  | 10.3                         | 163                          |
| DRQ74-821-R  | 820                   | 812.7                                | 0.31                                    | 0.35  | 2.93                         | 89.9                         | 3251                                 | 0.156                                   | 0.17  | 11.7                         | 180                          |
| DRQ74-102-R  | 1000                  | 1009                                 | 0.27                                    | 0.31  | 3.89                         | 100                          | 4036                                 | 0.135                                   | 0.16  | 15.6                         | 200                          |
| DRQ125-R47-R | 0.47                  | 0.456                                | 17.6                                    | 33.0  | 0.0018                       | 3.17                         | 1.824                                | 8.80                                    | 16.5  | 0.0078                       | 6.34                         |
| DRQ125-1R0-R | 1.00                  | 0.894                                | 15.0                                    | 23.6  | 0.0024                       | 4.43                         | 3.576                                | 7.51                                    | 11.8  | 0.0096                       | 8.86                         |
| DRQ125-1R5-R | 1.50                  | 1.478                                | 13.8                                    | 18.3  | 0.0029                       | 5.70                         | 5.912                                | 6.89                                    | 9.15  | 0.0114                       | 11.40                        |
| DRQ125-2R2-R | 2.20                  | 2.208                                | 10.9                                    | 15.0  | 0.0045                       | 6.97                         | 8.832                                | 5.46                                    | 7.50  | 0.0182                       | 13.9                         |
| DRQ125-3R3-R | 3.30                  | 3.084                                | 9.26                                    | 12.7  | 0.0063                       | 8.23                         | 12.34                                | 4.63                                    | 6.35  | 0.0253                       | 16.5                         |
| DRQ125-4R7-R | 4.70                  | 5.274                                | 7.18                                    | 9.71  | 0.0105                       | 10.8                         | 21.10                                | 3.59                                    | 4.86  | 0.0420                       | 21.6                         |
| DRQ125-6R8-R | 6.80                  | 6.588                                | 6.64                                    | 8.68  | 0.0123                       | 12.0                         | 26.35                                | 3.32                                    | 4.34  | 0.0492                       | 24.0                         |
| DRQ125-8R2-R | 8.20                  | 8.048                                | 5.54                                    | 7.86  | 0.0176                       | 13.3                         | 32.19                                | 2.77                                    | 3.93  | 0.0705                       | 26.6                         |
| DRQ125-100-R | 10.0                  | 9.654                                | 5.35                                    | 7.17  | 0.0189                       | 14.6                         | 38.62                                | 2.67                                    | 3.59  | 0.0757                       | 29.2                         |
| DRQ125-150-R | 15.0                  | 15.35                                | 4.27                                    | 5.69  | 0.0298                       | 18.4                         | 61.40                                | 2.13                                    | 2.85  | 0.120                        | 36.8                         |
| DRQ125-220-R | 22.0                  | 22.36                                | 3.70                                    | 4.71  | 0.0396                       | 22.2                         | 89.44                                | 1.84                                    | 2.36  | 0.159                        | 44.4                         |
| DRQ125-330-R | 33.0                  | 33.74                                | 3.28                                    | 3.84  | 0.0505                       | 27.2                         | 135.0                                | 1.64                                    | 1.92  | 0.203                        | 54.4                         |
| DRQ125-470-R | 47.0                  | 47.47                                | 2.71                                    | 3.24  | 0.0740                       | 32.3                         | 189.9                                | 1.35                                    | 1.62  | 0.297                        | 64.6                         |
| DRQ125-680-R | 68.0                  | 67.91                                | 2.22                                    | 2.70  | 0.101                        | 38.6                         | 271.6                                | 1.11                                    | 1.35  | 0.440                        | 77.2                         |

1) Open Circuit Inductance Test Parameters: 100kHz, 0.25 V<sub>rms</sub>, 0.0 Adc

Parallel: (1,2 -4,3) Series: (1-4) tie (2-3)

2) RMS current for an approximate ΔT of 40°C without core loss. It is recommended that the temperature of the part not exceed 125°C.

3) Peak current for approximately 30% roll-off at 20°C

4) DCR limits @ 20°C

5) Applied Volt-Time product (V-µS) across the inductor. This value represents the applied V-µS at 100kHz necessary to generate a core loss equal to 10% of the total losses for a 40°C temperature rise.

6) Turns Ratio (1:3):(2-4) 1:1

7) Part number definition: DRQxxx-yyy-R

DRQxxx = product code and size,

-yyy = inductance value in µH,

R = decimal point. If no R is present, third character = # of zeros

-R suffix = RoHS compliant

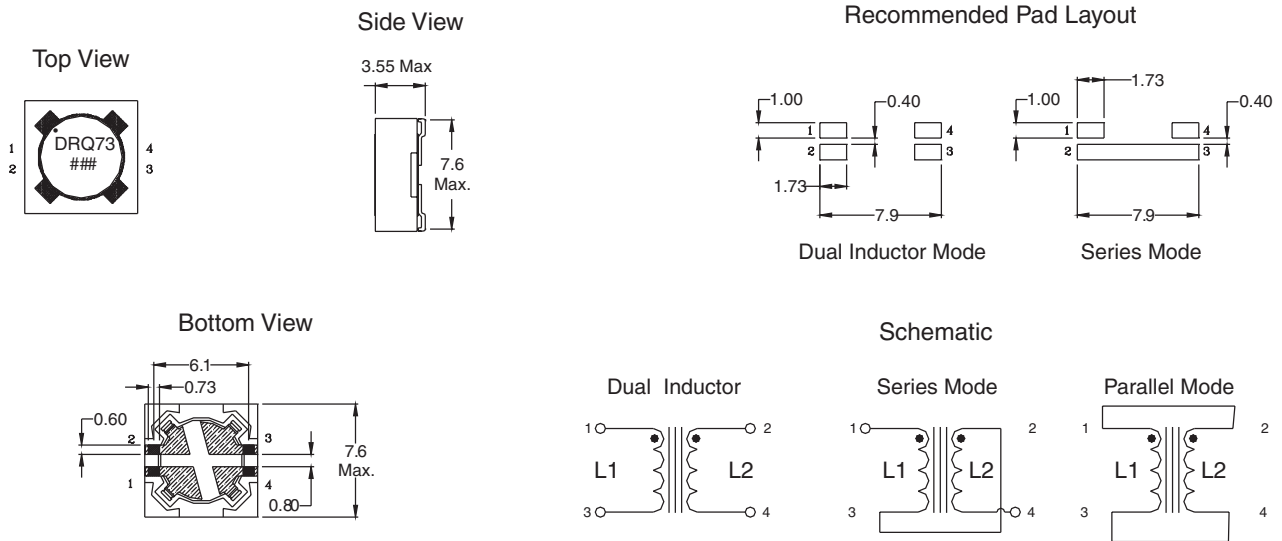
| Part Number  | Rated Inductance (µH) | Parallel Ratings               |                                      |   |                           |                           | Series Ratings                 |                                      |   |                           |                           |
|--------------|-----------------------|--------------------------------|--------------------------------------|---|---------------------------|---------------------------|--------------------------------|--------------------------------------|---|---------------------------|---------------------------|
|              |                       | OCL <sup>(1)</sup> +/-20% (µH) | I <sub>rms</sub> <sup>(2)</sup> Amps | I <sub>sat</sub> <sup>(3)</sup> Amps Peak | DCR Ω <sup>(4)</sup> typ. | Volt <sup>(6)</sup> µ-Sec | OCL <sup>(1)</sup> +/-20% (µH) | I <sub>rms</sub> <sup>(2)</sup> Amps | I <sub>sat</sub> <sup>(3)</sup> Amps Peak | DCR Ω <sup>(4)</sup> typ. | Volt <sup>(6)</sup> µ-Sec |
| DRQ125-820-R | 82.0                  | 86.89                          | 2.05                                 | 2.39                                      | 0.128                     | 43.7                      | 347.6                          | 1.03                                 | 1.20                                      | 0.515                     | 87.4                      |
| DRQ125-101-R | 100                   | 102.7                          | 1.78                                 | 2.20                                      | 0.170                     | 47.5                      | 410.8                          | 0.892                                | 1.10                                      | 0.682                     | 95.0                      |
| DRQ125-151-R | 150                   | 151.1                          | 1.48                                 | 1.81                                      | 0.248                     | 57.6                      | 604.4                          | 0.739                                | 0.905                                     | 0.991                     | 115.2                     |
| DRQ125-221-R | 220                   | 216.8                          | 1.19                                 | 1.51                                      | 0.384                     | 69.0                      | 867.2                          | 0.594                                | 0.755                                     | 1.54                      | 138                       |
| DRQ125-331-R | 330                   | 332.6                          | 1.06                                 | 1.22                                      | 0.482                     | 85.5                      | 1330                           | 0.530                                | 0.610                                     | 1.93                      | 171                       |
| DRQ125-471-R | 470                   | 473.1                          | 0.87                                 | 1.02                                      | 0.718                     | 102                       | 1892                           | 0.434                                | 0.510                                     | 2.87                      | 204                       |
| DRQ125-681-R | 680                   | 679.8                          | 0.70                                 | 0.85                                      | 1.10                      | 122                       | 2719                           | 0.350                                | 0.425                                     | 4.42                      | 244                       |
| DRQ125-821-R | 820                   | 828.0                          | 0.60                                 | 0.77                                      | 1.49                      | 135                       | 3312                           | 0.301                                | 0.385                                     | 5.96                      | 270                       |
| DRQ125-102-R | 1000                  | 1008                           | 0.57                                 | 0.70                                      | 1.69                      | 149                       | 4032                           | 0.283                                | 0.350                                     | 6.76                      | 298                       |
| DRQ127-R47-R | 0.47                  | 0.419                          | 17.9                                 | 56.0                                      | 0.00195                   | 3.50                      | 1.676                          | 8.94                                 | 28  | 0.0078                    | 7.00                      |
| DRQ127-1R0-R | 1.00                  | 0.821                          | 15.5                                 | 40.0                                      | 0.00261                   | 4.90                      | 3.284                          | 7.74                                 | 20  | 0.0104                    | 9.80                      |
| DRQ127-1R5-R | 1.50                  | 1.357                          | 13.5                                 | 31.1                                      | 0.00341                   | 6.30                      | 5.428                          | 6.77                                 | 15.6                                      | 0.0137                    | 12.60                     |
| DRQ127-2R2-R | 2.20                  | 2.027                          | 12.5                                 | 25.5                                      | 0.00373                   | 7.70                      | 8.108                          | 6.23                                 | 12.7                                      | 0.0161                    | 15.4                      |
| DRQ127-3R3-R | 3.30                  | 2.831                          | 10.4                                 | 21.5                                      | 0.00567                   | 9.10                      | 11.32                          | 5.23                                 | 10.8                                      | 0.0229                    | 18.2                      |
| DRQ127-4R7-R | 4.70                  | 4.841                          | 8.25                                 | 16.5                                      | 0.00917                   | 11.9                      | 19.36                          | 4.13                                 | 8.24                                      | 0.0367                    | 23.8                      |
| DRQ127-6R8-R | 6.80                  | 7.387                          | 7.34                                 | 13.3                                      | 0.0116                    | 14.7                      | 29.55                          | 3.67                                 | 6.67                                      | 0.0465                    | 29.4                      |
| DRQ127-8R2-R | 8.20                  | 8.861                          | 6.32                                 | 12.2                                      | 0.0157                    | 16.1                      | 35.44                          | 3.16                                 | 6.09                                      | 0.0627                    | 32.2                      |
| DRQ127-100-R | 10.0                  | 10.47                          | 6.04                                 | 11.2                                      | 0.0172                    | 17.5                      | 41.88                          | 3.02                                 | 5.60                                      | 0.0686                    | 35.0                      |
| DRQ127-150-R | 15.0                  | 14.09                          | 5.03                                 | 9.66                                      | 0.0247                    | 20.3                      | 56.36                          | 2.51                                 | 4.83                                      | 0.0990                    | 40.6                      |
| DRQ127-220-R | 22.0                  | 22.93                          | 4.00                                 | 7.57                                      | 0.0391                    | 25.9                      | 91.72                          | 2.00                                 | 3.78                                      | 0.157                     | 51.8                      |
| DRQ127-330-R | 33.0                  | 33.92                          | 3.23                                 | 6.22                                      | 0.0600                    | 31.5                      | 135.7                          | 1.61                                 | 3.11                                      | 0.241                     | 63.0                      |
| DRQ127-470-R | 47.0                  | 47.05                          | 2.95                                 | 5.28                                      | 0.0719                    | 37.1                      | 188.2                          | 1.47                                 | 2.64                                      | 0.288                     | 74.2                      |
| DRQ127-680-R | 68.0                  | 66.48                          | 2.44                                 | 4.44                                      | 0.105                     | 44.1                      | 265.9                          | 1.22                                 | 2.22                                      | 0.421                     | 88.2                      |
| DRQ127-820-R | 82.0                  | 79.75                          | 2.09                                 | 4.06                                      | 0.143                     | 48.3                      | 319.0                          | 1.04                                 | 2.03                                      | 0.573                     | 96.6                      |
| DRQ127-101-R | 100                   | 99.31                          | 1.96                                 | 3.64                                      | 0.163                     | 53.9                      | 397.2                          | 0.980                                | 1.82                                      | 0.653                     | 107.8                     |
| DRQ127-151-R | 150                   | 144.9                          | 1.59                                 | 3.01                                      | 0.247                     | 65.1                      | 579.6                          | 0.796                                | 1.51                                      | 0.989                     | 130.2                     |
| DRQ127-221-R | 220                   | 221.5                          | 1.29                                 | 2.43                                      | 0.376                     | 80.5                      | 886.0                          | 0.645                                | 1.22                                      | 1.50                      | 161                       |
| DRQ127-331-R | 330                   | 323.6                          | 1.04                                 | 2.01                                      | 0.574                     | 97.3                      | 1294                           | 0.522                                | 1.01                                      | 2.30                      | 195                       |
| DRQ127-471-R | 470                   | 467.1                          | 0.85                                 | 1.68                                      | 0.861                     | 117                       | 1868                           | 0.427                                | 0.838                                     | 3.44                      | 234                       |
| DRQ127-681-R | 680                   | 676.7                          | 0.76                                 | 1.39                                      | 1.08                      | 141                       | 2707                           | 0.380                                | 0.697                                     | 4.32                      | 282                       |
| DRQ127-821-R | 820                   | 818.1                          | 0.65                                 | 1.27                                      | 1.47                      | 155                       | 3272                           | 0.325                                | 0.633                                     | 5.88                      | 310                       |
| DRQ127-102-R | 1000                  | 1005                           | 0.61                                 | 1.14                                      | 1.66                      | 172                       | 4020                           | 0.307                                | 0.571                                     | 6.64                      | 344                       |

- 1) Open Circuit Inductance Test Parameters: 100kHz, 0.25 V<sub>rms</sub>, 0.0 Adc  
Parallel: (1,2 -4,3) Series: (1-4) tie (2-3)
- 2) RMS current for an approximate ΔT of 40°C without core loss. It is recommended that the temperature of the part not exceed 125°C.
- 3) Peak current for approximately 30% roll-off at 20°C
- 4) DCR limits @ 20°C
- 5) Applied Volt-Time product (V-µs) across the inductor. This value represents the applied V-µs at 100kHz necessary to generate a core loss equal to 10% of the total losses for a 40°C temperature rise.

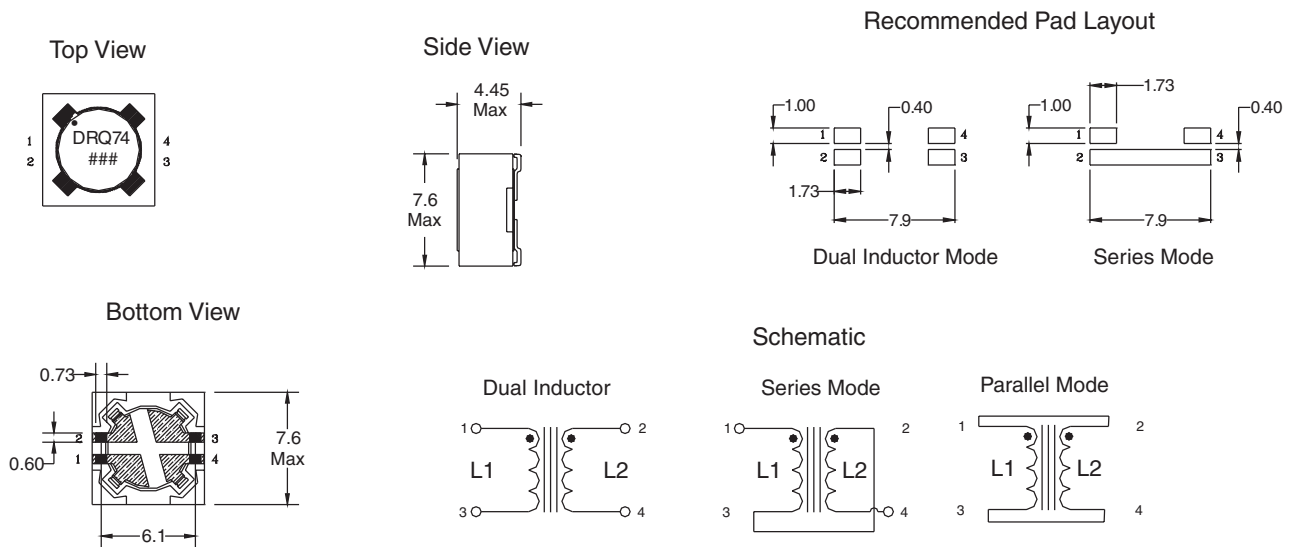
- 6) Turns Ratio (1:3):(2-4) 1:1
- 7) Part number definition: DRQxxx-yyy-R  
DRQxxx = product code and size,  
-yyy = inductance value in µH,  
R = decimal point. If no R is present, third character = # of zeros  
-R suffix = RoHS compliant

## Dimensions - mm

### DRQ73 Series



### DRQ74 Series

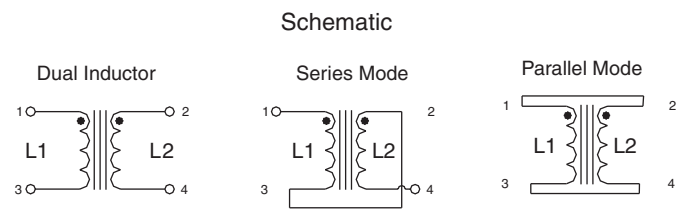
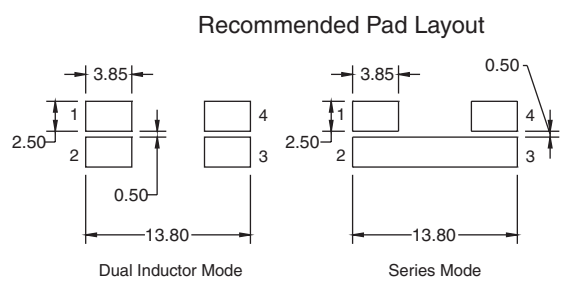
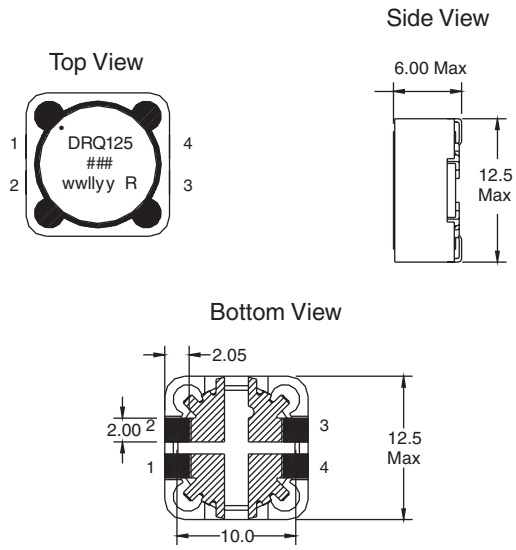


Dimensions in millimeters.

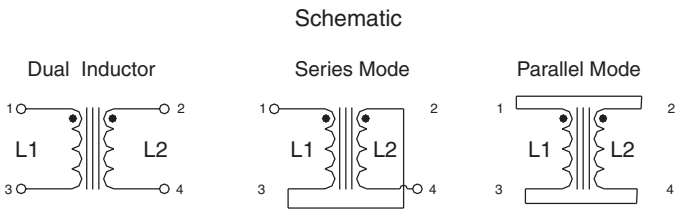
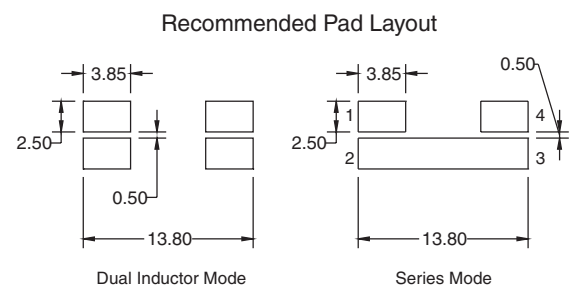
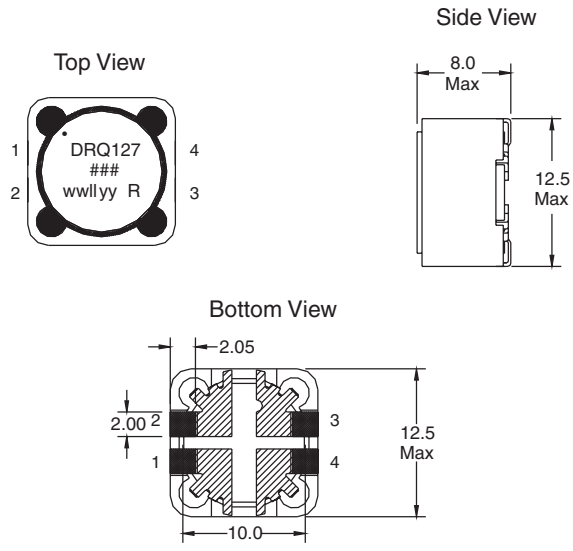
### = Inductance value per family chart  
 Dot indicates pin #1

**Dimensions - mm**

**DRQ125 Series**



**DRQ127 Series**



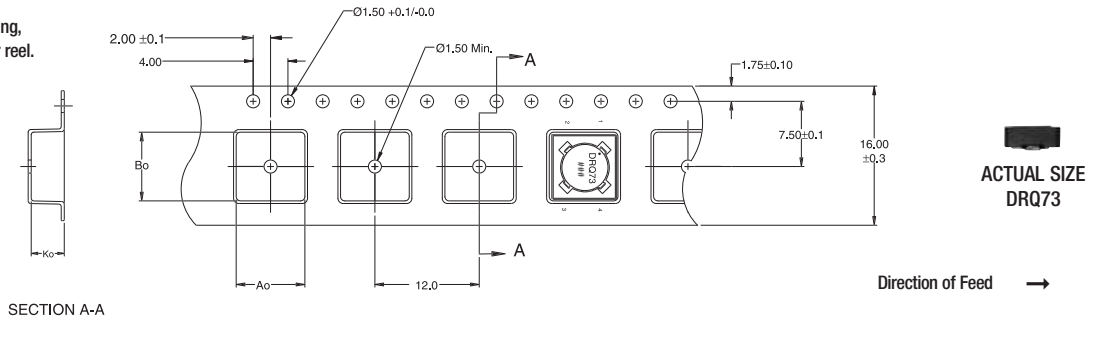
Dimensions in millimeters.

### = Inductance value per family chart  
 wwllyy = (date code) R = revision level  
 Dot indicates pin #1

## Packaging Information

### DRQ73 Series

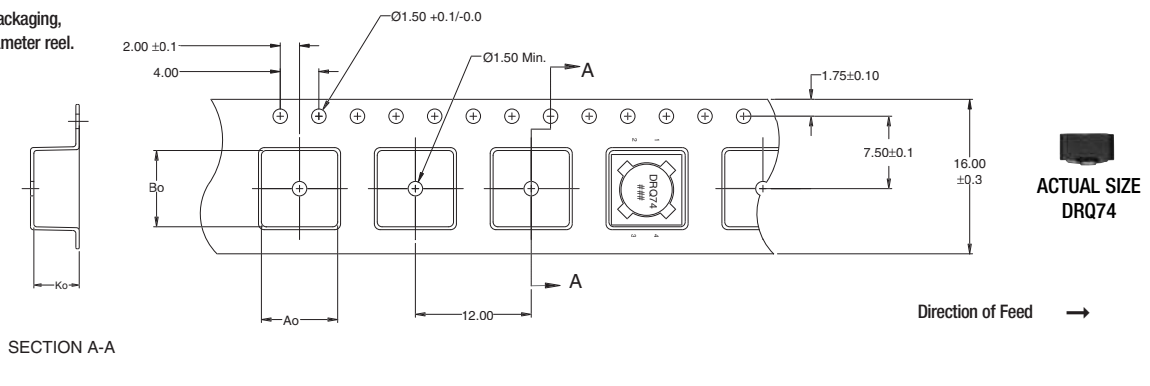
Supplied in tape and reel packaging,  
1350 parts per reel, 13" diameter reel.



A0=7.90mm  
Bo=7.90mm  
K0=3.80mm

### DRQ74 Series

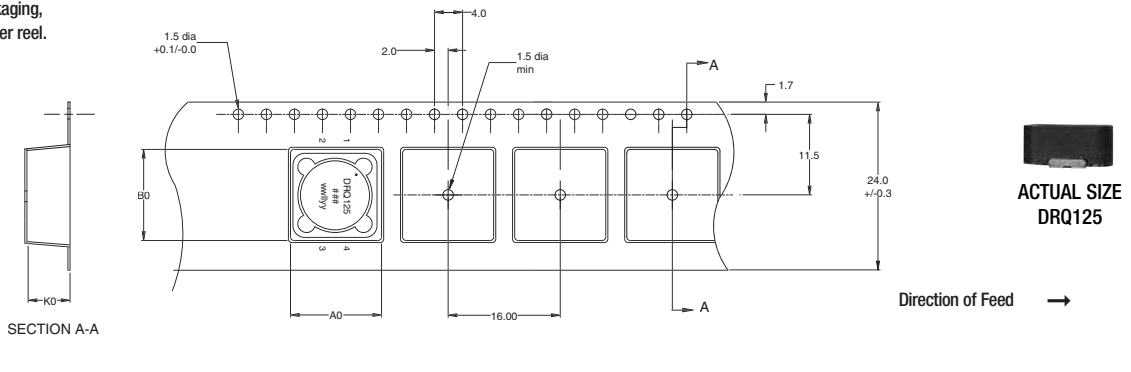
Supplied in tape and reel packaging,  
1100 parts per reel, 13" diameter reel.



A0=7.90mm  
Bo=7.90mm  
K0=4.70mm

### DRQ125 Series

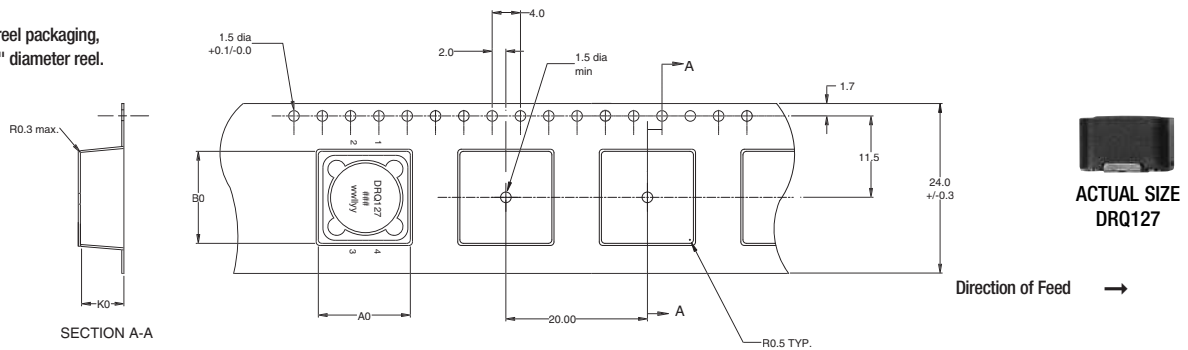
Supplied in tape and reel packaging,  
600 parts per reel, 13" diameter reel.



A0=13.00mm  
Bo=13.00mm  
K0=6.30mm

### DRQ127 Series

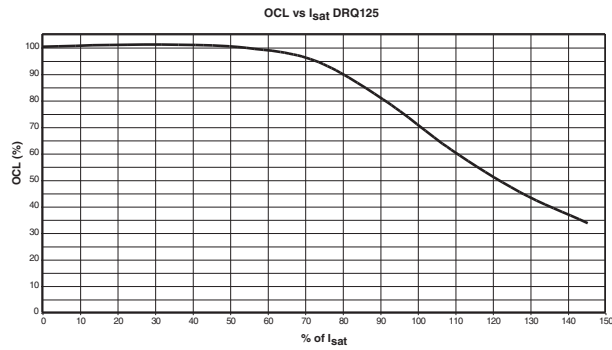
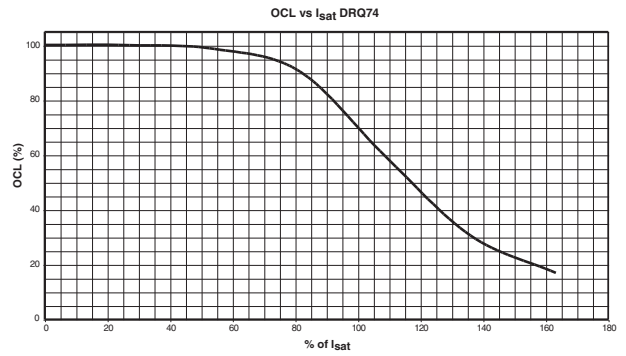
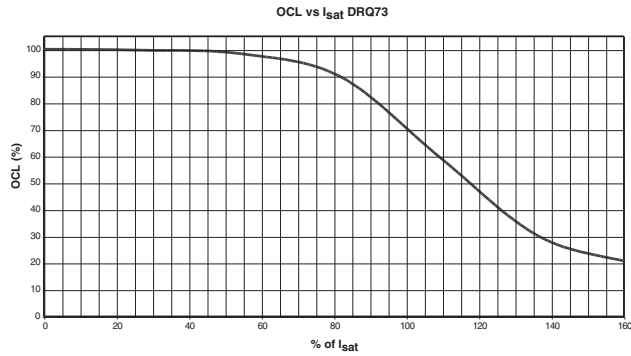
Supplied in tape and reel packaging,  
350 parts per reel, 13" diameter reel.



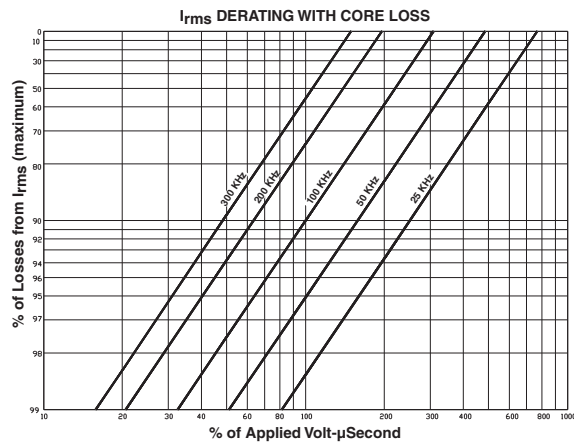
A0=13.00mm  
Bo=13.00mm  
K0=8.30mm

Dimensions are in millimeters.

## Inductance Characteristics



## Core Loss



### North America

Cooper Bussmann  
1225 Broken Sound Parkway NW  
Suite F  
Boca Raton, FL 33487-3533  
Tel: 1-561-998-4100  
Fax: 1-561-241-6640  
Toll Free: 1-888-414-2645

Cooper Bussmann  
P.O. Box 14460  
St. Louis, MO 63178-4460  
Tel: 1-636-394-2877  
Fax: 1-636-527-1607

### Europe

Cooper Bussmann  
Cooper (UK) Limited  
Burton-on-the-Wolds  
Leicestershire • LE12 5TH UK  
Tel: +44 (0) 1509 882 737  
Fax: +44 (0) 1509 882 786

Cooper Bussmann  
Avda. Santa Eulalia, 290  
08223  
Terrassa, (Barcelona), Spain  
Tel: +34 937 362 812  
+34 937 362 813  
Fax: +34 937 362 719

### Asia Pacific

Cooper Bussmann  
1 Jalan Kilang Timor  
#06-01 Pacific Tech Centre  
Singapore 159303  
Tel: +65 278 6151  
Fax: +65 270 4160

This bulletin is intended to present product design solutions and technical information that will help the end user with design applications. Cooper Bussmann reserves the right, without notice, to change design or construction of any products and to discontinue or limit distribution of any products. Cooper Bussmann also reserves the right to change or update, without notice, any technical information contained in this bulletin. Once a product has been selected, it should be tested by the user in all possible applications.

Life Support Policy: Cooper Bussmann does not authorize the use of any of its products for use in life support devices or systems without the express written approval of an officer of the Company. Life support systems are devices which support or sustain life, and whose failure to perform, when properly used in accordance with instructions for use provided in the labeling, can be reasonably expected to result in significant injury to the user.

© 2007 Cooper Bussmann  
St. Louis, MO 63178  
www.cooperbussmann.com





## Стандарт Электрон Связь

Мы молодая и активно развивающаяся компания в области поставок электронных компонентов. Мы поставляем электронные компоненты отечественного и импортного производства напрямую от производителей и с крупнейших складов мира.

Благодаря сотрудничеству с мировыми поставщиками мы осуществляем комплексные и плановые поставки широчайшего спектра электронных компонентов.

Собственная эффективная логистика и склад в обеспечивает надежную поставку продукции в точно указанные сроки по всей России.

Мы осуществляем техническую поддержку нашим клиентам и предпродажную проверку качества продукции. На все поставляемые продукты мы предоставляем гарантию .

Осуществляем поставки продукции под контролем ВП МО РФ на предприятия военно-промышленного комплекса России , а также работаем в рамках 275 ФЗ с открытием отдельных счетов в уполномоченном банке. Система менеджмента качества компании соответствует требованиям ГОСТ ISO 9001.

Минимальные сроки поставки, гибкие цены, неограниченный ассортимент и индивидуальный подход к клиентам являются основой для выстраивания долгосрочного и эффективного сотрудничества с предприятиями радиоэлектронной промышленности, предприятиями ВПК и научно-исследовательскими институтами России.

С нами вы становитесь еще успешнее!

### Наши контакты:

**Телефон:** +7 812 627 14 35

**Электронная почта:** [sales@st-electron.ru](mailto:sales@st-electron.ru)

**Адрес:** 198099, Санкт-Петербург,  
Промышленная ул, дом № 19, литера Н,  
помещение 100-Н Офис 331