

# BLDC Motors & Drives



- High performance, low cost, brushless speed control systems
- 30 to 105 watts continuous shaft output
- Operates from 12 to 48V DC power supply
- Driver can supply up to 6.25A continuous, 12.5A peak
- Excellent speed stability
- Eight digital inputs for commanding a variety of functions
- Two digital outputs for interfacing to other equipment
- Two on board potentiometers plus 12 bit analog input for setting speed, acceleration, deceleration

For more information visit: [www.applied-motion.com/BLDC](http://www.applied-motion.com/BLDC)

# BD5 Drive



- High performance, low cost speed control drive
- Operates from 12 to 48V DC power supply
- Output current: up to 6.25Arms continuous, 12.5A peak
- Eight digital inputs for commanding a variety of functions
- Two digital outputs for interfacing to other equipment
- Two on board potentiometers plus 12 bit analog input for setting speed, acceleration, deceleration



For more information go to [www.applied-motion.com/BLDC](http://www.applied-motion.com/BLDC)

## IO Connections



# BD5 Dimensions



# Brushless Drive Technical Specifications

## POWER AMPLIFIER:

|                 |  |
|-----------------|--|
| AMPLIFIER TYPE  | Triple half bridge, 4 quadrant   |
| CURRENT CONTROL | 4 state PWM at 10 kHz  |
| OUTPUT CURRENT  | BD5-G1-AH: 1.75Arms cont, 3.5Arms peak (5 seconds max)<br>BD5-G2-AH: 3.6Arms cont, 7.2Arms peak (5 seconds max)<br>BD5-G3-AH: 6.25Arms cont, 12.5Arms peak (5 seconds max) |
| POWER SUPPLY    | External 12 - 48 VDC power supply required<br>Under-voltage alarm: 8.5 VDC<br>Over-voltage shutdown: 62 VDC  |

## CONTROLLER:

|                         |  |
|-------------------------|--|
| MODE OF OPERATION       | Velocity control. Speed can be selected by digital input from on-board potentiometer, external analog signal, or 7 preset speeds. Accel/decel rate set by on-board potentiometer   |
| DIGITAL INPUTS          | Eight inputs, 5-24 VDC, bidirectional (can be driven by sinking or sourcing signals) 2 kHz max freq response. Common terminal (INCOM) can be connected to an external power supply (5 to 24 VDC), or internally connected to 5V or GND (selected by internal DIP switches)<br>CW/CCW: selects direction of motor shaft rotation<br>STP: commands motor to stop quickly using electromagnetic braking<br>EN/RE: removes power from motor windings<br>M0,M1,M2: selects one of seven preset speeds<br>STMD: selects which mode of stopping is used<br>SPST: selects whether speed is set by on-board pot or external analog signal |
| DIGITAL OUTPUTS         | 30 VDC max, 80 mA max, open collector, open emitter.<br>FLT is a dedicated fault output.<br>SPO is a dedicated tachometer output (30 pulses per revolution).<br>Both outputs can be reconfigured at the factory for qualified OEM applications.  |
| ANALOG INPUT            | AIN referenced to GND, Range = 0 to 5 VDC, Resolution = 12 bits, 5v = 4500 rpm.  |
| COMMUNICATION INTERFACE | RS-232 (for factory configuration only)  |

## APPROVALS:

|                  |                    |
|------------------|--------------------|
| AGENCY APPROVALS | RoHS<br>CE PENDING |
|------------------|--------------------|

## PHYSICAL:

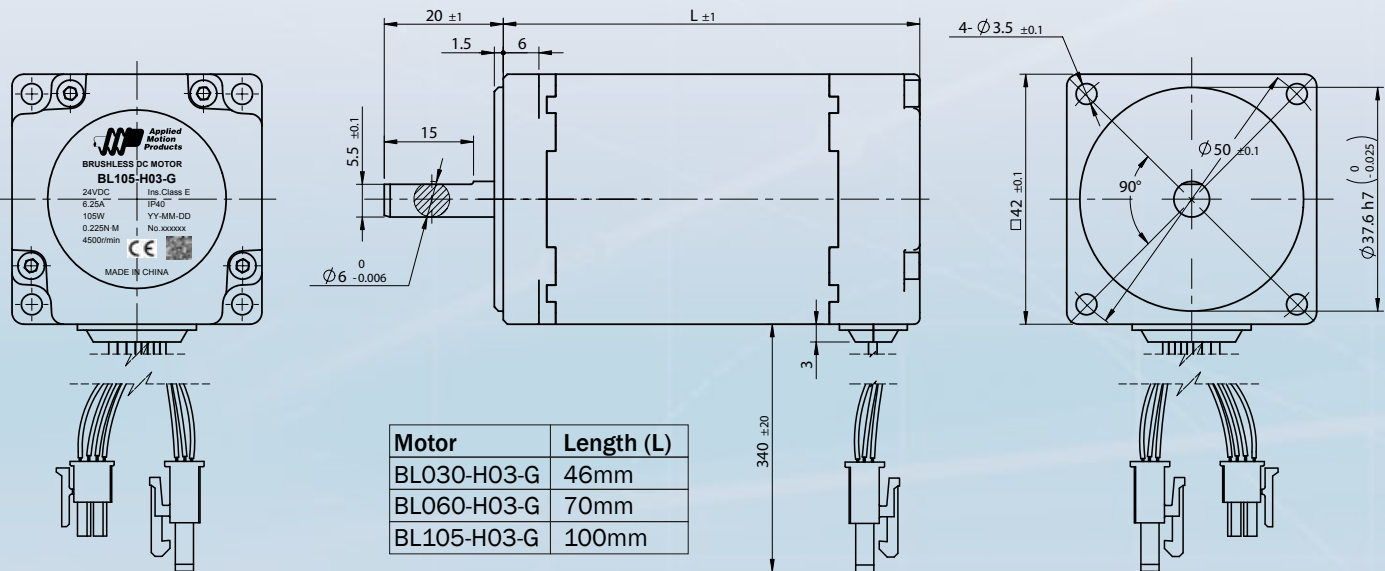
|                       |  |
|-----------------------|--|
| OPERATING TEMPERATURE | 0 to 100 °C (32 to 212 °F) Internal temperature of the electronics section |
| AMBIENT TEMPERATURE   | 0 to 40 °C (32 to 104 °F) When mounted to a suitable heatsink              |
| HUMIDITY              | 90% max, non-condensing  |
| MASS                  | 6.0 oz (170 g)   |



## Motor Specifications

| PART #      | POWER   | RELATED VOLTAGE | RATED CURRENT |        | RATED TORQUE |          | KE     | ROTOR INERTIA     | MASS |
|-------------|---------|-----------------|---------------|--------|--------------|----------|--------|-------------------|------|
|             | W cont. | VDC             | A cont.       | A peak | N-M cont.    | N-M peak | V/krpm | g-cm <sup>2</sup> | g    |
| BL030-H03-G | 30      | 24              | 1.75          | 3.5    | 0.065        | 0.13     | 3.65   | 38.8              | 320  |
| BL060-H03-G | 60      | 24              | 3.6           | 7.2    | 0.13         | 0.26     | 2.7    | 72                | 550  |
| BL105-H03-G | 105     | 24              | 6.25          | 12.5   | 0.225        | 0.45     | 2.65   | 114               | 830  |

## Motor Dimensions



## BLDC Drive Part Numbering System

# BD5-G1-AH

**Series**  
BLDC Series

**Output Current**  
5 = 5 A rms cont  
10 = 10 A rms cont

**Motor Frame Size**  
G = 42 mm

**Feedback**  
H = Hall devices

**Communication**  
A = RS-232 (for factory configuration only)

**Motor Winding**  
1 = 30 W, 24 V  
2 = 60 W, 24 V  
3 = 105 W, 24 V

### Order this BD5 model...

1. BD5-G1-AH
2. BD5-G2-AH
3. BD5-G3-AH

### For use with this BL motor...

1. BL030-H03-G
2. BL060-H03-G
3. BL105-H03-G

## BLDC Motor Part Numbering System

# BL000-000-0

**Series**  
BL = Brushless DC Motor

**Wattage Rating**  
030 = 30 watts  
060 = 60 watts  
105 = 105 watts

**Feedback**  
H = Hall devices only

**Frame Size**  
G = 42mm

**Voltage**  
3 = 24 VDC

**RESERVED**

### Standard Part Numbers:

BL030-H03-G  
BL060-H03-G  
BL105-H03-G



# Accessories

## Power Supplies

Applied Motion offers the following DC power supplies for use with the brushless DC drives and motors.

PS50A24: 50 Watts at 24 VDC, recommended for BL030-H03-G motor.

PS150A24: 150 Watts at 24 VDC, recommended for BL060-H03-G motor.

PS320A48: 320 Watts at 48 VDC, recommended for BL105-H03-G motor.



## RC-050 Regeneration Clamp

The RC-050 regeneration clamp is for use where regeneration from the motor may be excessive for the power supply. In these cases the RC-050 is connected between the drive and power supply and absorbs regenerated energy.

## Extension Cable

For applications where motors and drives are separated by more than 30cm (1 foot)

- 3004-272-1M 1 METER
- 3004-272-3M 3 METERS



**Applied  
Motion  
Products**

404 Westridge Dr.  
Watsonville, CA 95076  
Tel: 800-525-1609  
Fax: 831-761-6544  
www.applied-motion.com

DISTRIBUTED BY:





## Стандарт Электрон Связь

Мы молодая и активно развивающаяся компания в области поставок электронных компонентов. Мы поставляем электронные компоненты отечественного и импортного производства напрямую от производителей и с крупнейших складов мира.

Благодаря сотрудничеству с мировыми поставщиками мы осуществляем комплексные и плановые поставки широчайшего спектра электронных компонентов.

Собственная эффективная логистика и склад в обеспечивает надежную поставку продукции в точно указанные сроки по всей России.

Мы осуществляем техническую поддержку нашим клиентам и предпродажную проверку качества продукции. На все поставляемые продукты мы предоставляем гарантию .

Осуществляем поставки продукции под контролем ВП МО РФ на предприятия военно-промышленного комплекса России , а также работаем в рамках 275 ФЗ с открытием отдельных счетов в уполномоченном банке. Система менеджмента качества компании соответствует требованиям ГОСТ ISO 9001.

Минимальные сроки поставки, гибкие цены, неограниченный ассортимент и индивидуальный подход к клиентам являются основой для выстраивания долгосрочного и эффективного сотрудничества с предприятиями радиоэлектронной промышленности, предприятиями ВПК и научно-исследовательскими институтами России.

С нами вы становитесь еще успешнее!

### Наши контакты:

**Телефон:** +7 812 627 14 35

**Электронная почта:** [sales@st-electron.ru](mailto:sales@st-electron.ru)

**Адрес:** 198099, Санкт-Петербург,  
Промышленная ул, дом № 19, литера Н,  
помещение 100-Н Офис 331