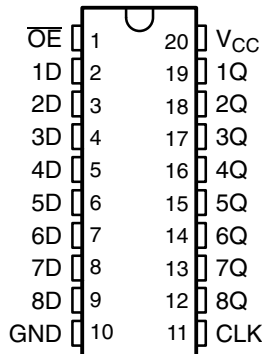


# SN54ABT574, SN74ABT574A OCTAL EDGE-TRIGGERED D-TYPE FLIP-FLOPS WITH 3-STATE OUTPUTS

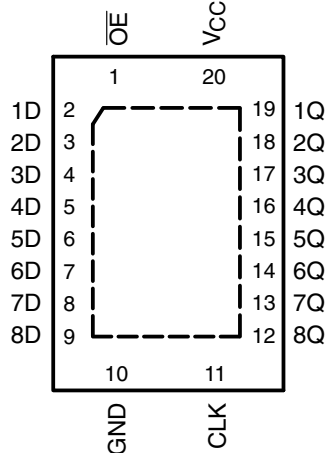
SCBS191F – JANUARY 1991 – REVISED SEPTEMBER 2003

- Typical  $V_{OLP}$  (Output Ground Bounce)  $<1\text{ V}$  at  $V_{CC} = 5\text{ V}$ ,  $T_A = 25^\circ\text{C}$
- High-Drive Outputs ( $-32\text{-mA } I_{OH}$ ,  $64\text{-mA } I_{OL}$ )
- $I_{off}$  Supports Partial-Power-Down Mode Operation
- Latch-Up Performance Exceeds 500 mA Per JEDEC Standard JESD 17
- ESD Protection Exceeds JESD 22
  - 2000-V Human-Body Model (A114-A)
  - 200-V Machine Model (A115-A)

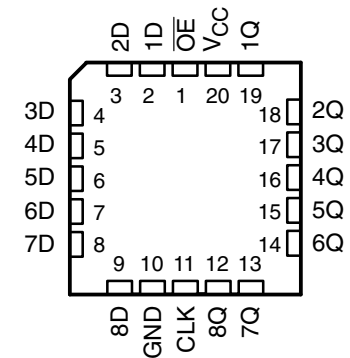
SN54ABT574 . . . J OR W PACKAGE  
SN74ABT574A . . . DB, DW, N, NS,  
OR PW PACKAGE  
(TOP VIEW)



SN74ABT574A . . . RGY PACKAGE  
(TOP VIEW)



SN54ABT574 . . . FK PACKAGE  
(TOP VIEW)



## description/ordering information

These 8-bit flip-flops feature 3-state outputs designed specifically for driving highly capacitive or relatively low-impedance loads. They are particularly suitable for implementing buffer registers, I/O ports, bidirectional bus drivers, and working registers.

## ORDERING INFORMATION

| $T_A$                 | PACKAGE†      |                 | ORDERABLE PART NUMBER | TOP-SIDE MARKING |
|-----------------------|---------------|-----------------|-----------------------|------------------|
| -40°C to 85°C         | PDIP – N      | Tube            | SN74ABT574AN          | SN74ABT574AN     |
|                       | QFN – RGY     | Tape and reel   | SN74ABT574ARGYR       | AB574A           |
|                       | SOIC – DW     | Tube            | SN74ABT574ADW         | ABT574A          |
|                       |               | Tape and reel   | SN74ABT574ADWR        |                  |
|                       | SOP – NS      | Tape and reel   | SN74ABT574ANSR        | ABT574A          |
|                       | SSOP – DB     | Tape and reel   | SN74ABT574ADBR        | AB574A           |
|                       | TSSOP – PW    | Tube            | SN74ABT574APW         | AB574A           |
|                       |               | Tape and reel   | SN74ABT574APWR        |                  |
| VFBGA – GQN           | Tape and reel | SN74ABT574AGQNR | AB574A                |                  |
| VFBGA – ZQN (Pb-free) |               | SN74ABT574AZQNR |                       |                  |
| -55°C to 125°C        | CDIP – J      | Tube            | SNJ54ABT574J          | SNJ54ABT574J     |
|                       | CFP – W       | Tube            | SNJ54ABT574W          | SNJ54ABT574W     |
|                       | LCCC – FK     | Tube            | SNJ54ABT574FK         | SNJ54ABT574FK    |

† Package drawings, standard packing quantities, thermal data, symbolization, and PCB design guidelines are available at [www.ti.com/sc/package](http://www.ti.com/sc/package).



Please be aware that an important notice concerning availability, standard warranty, and use in critical applications of Texas Instruments semiconductor products and disclaimers thereto appears at the end of this data sheet.

PRODUCTION DATA information is current as of publication date. Products conform to specifications per the terms of Texas Instruments standard warranty. Production processing does not necessarily include testing of all parameters.

 **TEXAS  
INSTRUMENTS**

POST OFFICE BOX 655303 • DALLAS, TEXAS 75265

Copyright © 2003, Texas Instruments Incorporated  
On products compliant to MIL-PRF-38535, all parameters are tested unless otherwise noted. On all other products, production processing does not necessarily include testing of all parameters.

# SN54ABT574, SN74ABT574A OCTAL EDGE-TRIGGERED D-TYPE FLIP-FLOPS WITH 3-STATE OUTPUTS

SCBS191F – JANUARY 1991 – REVISED SEPTEMBER 2003

## description/ordering information (continued)

The eight flip-flops of the SN54ABT574 and SN74ABT574A are edge-triggered D-type flip-flops. On the positive transition of the clock (CLK) input, the Q outputs are set to the logic levels set up at the data (D) inputs.

A buffered output-enable ( $\overline{OE}$ ) input can be used to place the eight outputs in either a normal logic state (high or low logic levels) or the high-impedance state. In the high-impedance state, the outputs neither load nor drive the bus lines significantly. The high-impedance state and increased drive provide the capability to drive bus lines without need for interface or pullup components.

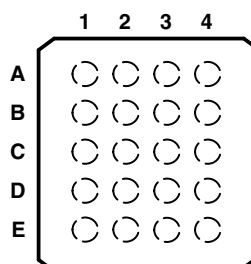
$\overline{OE}$  does not affect the internal operations of the flip-flops. Old data can be retained or new data can be entered while the outputs are in the high-impedance state.

To ensure the high-impedance state during power up or power down,  $\overline{OE}$  should be tied to  $V_{CC}$  through a pullup resistor; the minimum value of the resistor is determined by the current-sinking capability of the driver.

This device is fully specified for partial-power-down applications using  $I_{off}$ . The  $I_{off}$  circuitry disables the outputs, preventing damaging current backflow through the device when it is powered down.

### SN74ABT574A . . . GQN OR ZQN PACKAGE

(TOP VIEW)



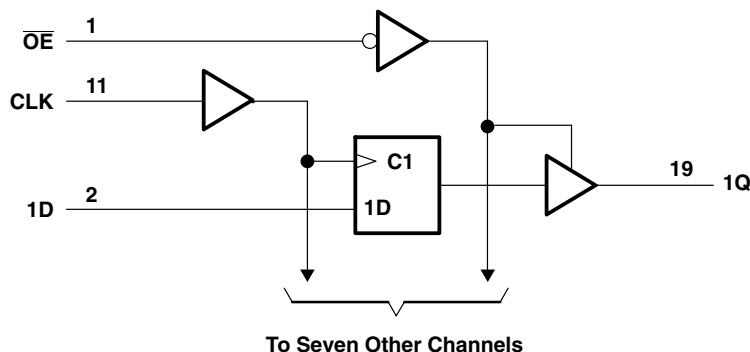
### terminal assignments

|   | 1   | 2               | 3        | 4  |
|---|-----|-----------------|----------|----|
| A | 1D  | $\overline{OE}$ | $V_{CC}$ | 1Q |
| B | 3D  | 3Q              | 2D       | 2Q |
| C | 5D  | 4D              | 5Q       | 4Q |
| D | 7D  | 7Q              | 6D       | 6Q |
| E | GND | 8D              | CLK      | 8Q |

FUNCTION TABLE  
(each flip-flop)

| INPUTS |            |   | OUTPUT |
|--------|------------|---|--------|
| OE     | CLK        | D | Q      |
| L      | $\uparrow$ | H | H      |
| L      | $\uparrow$ | L | L      |
| L      | H or L     | X | $Q_0$  |
| H      | X          | X | Z      |

## logic diagram (positive logic)



Pin numbers shown are for the DB, DW, FK, J, N, NS, PW, RGY, and W packages.

# SN54ABT574, SN74ABT574A OCTAL EDGE-TRIGGERED D-TYPE FLIP-FLOPS WITH 3-STATE OUTPUTS

SCBS191F – JANUARY 1991 – REVISED SEPTEMBER 2003

## absolute maximum ratings over operating free-air temperature range (unless otherwise noted)†

|   |                 |
|---|-----------------|
| Supply voltage range, $V_{CC}$ .....  | -0.5 V to 7 V   |
| Input voltage range, $V_I$ (see Note 1) .....                                   | -0.5 V to 7 V   |
| Voltage range applied to any output in the high or power-off state, $V_O$ ..... | -0.5 V to 5.5 V |
| Current into any output in the low state, $I_O$ : SN54ABT574 .....              | 96 mA           |
| SN74ABT574A .....   | 128 mA          |
| Input clamp current, $I_{IK}$ ( $V_I < 0$ ) .....                               | -18 mA          |
| Output clamp current, $I_{OK}$ ( $V_O < 0$ ) .....                              | -50 mA          |
| Package thermal impedance, $\theta_{JA}$ (see Note 2): DB package .....         | 70°C/W          |
| (see Note 2): DW package .....  | 58°C/W          |
| (see Note 2): GQN/ZQN package .....   | 78°C/W          |
| (see Note 2): N package .....   | 69°C/W          |
| (see Note 2): NS package .....  | 60°C/W          |
| (see Note 2): PW package .....  | 83°C/W          |
| (see Note 3): RGY package .....   | 37°C/W          |
| Storage temperature range, $T_{stg}$ .....                                      | -65°C to 150°C  |

† Stresses beyond those listed under “absolute maximum ratings” may cause permanent damage to the device. These are stress ratings only, and functional operation of the device at these or any other conditions beyond those indicated under “recommended operating conditions” is not implied. Exposure to absolute-maximum-rated conditions for extended periods may affect device reliability.

- NOTES: 1. The input and output negative-voltage ratings may be exceeded if the input and output clamp-current ratings are observed.  
 2. The package thermal impedance is calculated in accordance with JESD 51-7.  
 3. The package thermal impedance is calculated in accordance with JESD 51-5.

## recommended operating conditions (see Note 4)

|  | SN54ABT574      |          | SN74ABT574A |          | UNIT |
|--|-----------------|----------|-------------|----------|------|
|  | MIN             | MAX      | MIN         | MAX      |      |
| $V_{CC}$ Supply voltage                                | 4.5             | 5.5      | 4.5         | 5.5      | V    |
| $V_{IH}$ High-level input voltage                      | 2               |          | 2           |          | V    |
| $V_{IL}$ Low-level input voltage                       |                 | 0.8      |             | 0.8      | V    |
| $V_I$ Input voltage                                    | 0               | $V_{CC}$ | 0           | $V_{CC}$ | V    |
| $I_{OH}$ High-level output current                     |                 | -24      |             | -32      | mA   |
| $I_{OL}$ Low-level output current                      |                 | 48       |             | 64       | mA   |
| $\Delta t/\Delta v$ Input transition rise or fall rate | Outputs enabled |          | 5           | 5        | ns/V |
| $T_A$ Operating free-air temperature                   | -55             | 125      | -40         | 85       | °C   |

NOTE 4: All unused inputs of the device must be held at  $V_{CC}$  or GND to ensure proper device operation. Refer to the TI application report, *Implications of Slow or Floating CMOS Inputs*, literature number SCBA004.



# SN54ABT574, SN74ABT574A

## OCTAL EDGE-TRIGGERED D-TYPE FLIP-FLOPS

### WITH 3-STATE OUTPUTS

SCBS191F – JANUARY 1991 – REVISED SEPTEMBER 2003

electrical characteristics over recommended operating free-air temperature range (unless otherwise noted)

| PARAMETER                   | TEST CONDITIONS  | $T_A = 25^\circ\text{C}$ |      |                | SN54ABT574 |                | SN74ABT574A |                | UNIT          |               |
|-----------------------------|--|--------------------------|------|----------------|------------|----------------|-------------|----------------|---------------|---------------|
|                             |  | MIN                      | TYP† | MAX            | MIN        | MAX            | MIN         | MAX            |               |               |
| $V_{IK}$                    | $V_{CC} = 4.5\text{ V}$ , $I_I = -18\text{ mA}$                                  |                          |      | -1.2           |            | -1.2           |             | -1.2           | V             |               |
| $V_{OH}$                    | $V_{CC} = 4.5\text{ V}$ , $I_{OH} = -3\text{ mA}$                                |                          |      | 2.5            |            | 2.5            |             | 2.5            | V             |               |
|                             | $V_{CC} = 5\text{ V}$ , $I_{OH} = -3\text{ mA}$                                  |                          |      | 3              |            | 3              |             | 3              |               |               |
|                             | $V_{CC} = 4.5\text{ V}$  | $I_{OH} = -24\text{ mA}$ |      |                | 2          |                |             | 2              |               |               |
| $V_{OL}$                    | $V_{CC} = 4.5\text{ V}$  | $I_{OL} = 48\text{ mA}$  |      |                |            | 0.55           |             | 0.55           | V             |               |
|                             |  | $I_{OL} = 64\text{ mA}$  |      |                |            | 0.55*          |             | 0.55           |               |               |
| $V_{hys}$                   |  |                          |      | 100            |            |                |             |                | mV            |               |
| $I_I$                       | $V_{CC} = 5.5\text{ V}$ , $V_I = V_{CC}$ or GND                                  |                          |      | $\pm 1$        |            | $\pm 1$        |             | $\pm 1$        | $\mu\text{A}$ |               |
| $I_{OZH}$                   | $V_{CC} = 5.5\text{ V}$ , $V_O = 2.7\text{ V}$                                   |                          |      | $10^\ddagger$  |            | $10^\ddagger$  |             | $10^\ddagger$  | $\mu\text{A}$ |               |
| $I_{OZL}$                   | $V_{CC} = 5.5\text{ V}$ , $V_O = 0.5\text{ V}$                                   |                          |      | $-10^\ddagger$ |            | $-10^\ddagger$ |             | $-10^\ddagger$ | $\mu\text{A}$ |               |
| $I_{off}$                   | $V_{CC} = 0$ , $V_I$ or $V_O \leq 4.5\text{ V}$                                  |                          |      | $\pm 100$      |            | $\pm 500$      |             | $\pm 100$      | $\mu\text{A}$ |               |
| $I_{CEX}$                   | $V_{CC} = 5.5\text{ V}$ , $V_O = 5.5\text{ V}$                                   | Outputs high             |      |                |            | 50             |             | 50             | $\mu\text{A}$ |               |
| $I_O^{\S}$                  | $V_{CC} = 5.5\text{ V}$ , $V_O = 2.5\text{ V}$                                   |                          |      | -50            | -100       | -180           |             | -50            | -180          | mA            |
| $I_{CC}$                    | $V_{CC} = 5.5\text{ V}$ , $I_O = 0$ ,<br>$V_I = V_{CC}$ or GND                   | Outputs high             |      | 1              | 250        |                |             | 250            | $\mu\text{A}$ |               |
|                             |  | Outputs low              |      | 24             | 30         |                |             | 30             | 30            | mA            |
|                             |  | Outputs disabled         |      | 0.5            | 250        |                |             | 250            | 250           | $\mu\text{A}$ |
| $\Delta I_{CC}^{\parallel}$ | $V_{CC} = 5.5\text{ V}$ , One input at 3.4 V,<br>Other inputs at $V_{CC}$ or GND |                          |      |                |            | 1.5            |             | 1.5            | mA            |               |
| $C_i$                       | $V_I = 2.5\text{ V}$ or $0.5\text{ V}$   |                          |      | 3.5            |            |                |             |                | pF            |               |
| $C_o$                       | $V_O = 2.5\text{ V}$ or $0.5\text{ V}$   |                          |      | 6.5            |            |                |             |                | pF            |               |

\* On products compliant to MIL-PRF-38535, this parameter does not apply.

† All typical values are at  $V_{CC} = 5\text{ V}$ .

‡ This data-sheet limit may vary among suppliers.

§ Not more than one output should be tested at a time, and the duration of the test should not exceed one second.

¶ This is the increase in supply current for each input that is at the specified TTL voltage level, rather than  $V_{CC}$  or GND.

timing requirements over recommended ranges of supply voltage and operating free-air temperature (unless otherwise noted) (see Figure 1)

|             |                                 | SN54ABT574  |     |     |     | UNIT |
|-------------|---------------------------------|---|-----|-----|-----|------|
|             |                                 | $V_{CC} = 5\text{ V}$ ,<br>$T_A = 25^\circ\text{C}$ |     | MIN | MAX |      |
|             |                                 | MIN   | MAX |     |     |      |
| $f_{clock}$ | Clock frequency                 |   | 150 |     | 150 | MHz  |
| $t_w$       | Pulse duration, CLK high or low |   | 3.3 |     | 3.3 | ns   |
| $t_{su}$    | Setup time, data before CLK↑    | High  | 1.5 |     | 1.5 | ns   |
|             |                                 | Low   | 2   |     | 2   |      |
| $t_h$       | Hold time, data after CLK↑      | High or low   | 2   |     | 2   | ns   |



# SN54ABT574, SN74ABT574A OCTAL EDGE-TRIGGERED D-TYPE FLIP-FLOPS WITH 3-STATE OUTPUTS

SCBS191F – JANUARY 1991 – REVISED SEPTEMBER 2003

timing requirements over recommended ranges of supply voltage and operating free-air temperature (unless otherwise noted) (see Figure 1)

|                    |                                 | SN74ABT574A                                     |      |     |     | UNIT |     |
|--------------------|---------------------------------|---|------|-----|-----|------|-----|
|                    |                                 | V <sub>CC</sub> = 5 V,<br>T <sub>A</sub> = 25°C |      |     | MIN |      | MAX |
|                    |                                 | MIN   | MAX  |     |     |      |     |
| f <sub>clock</sub> | Clock frequency                 | 150   |      | 150 | MHz |      |     |
| t <sub>w</sub>     | Pulse duration, CLK high or low | 3.3   |      | 3.3 | ns  |      |     |
| t <sub>su</sub>    | Setup time, data before CLK↑    | High  | 1    |     | ns  |      |     |
|                    |                                 | Low   | 1.5  |     |     |      |     |
| t <sub>h</sub>     | Hold time, data after CLK↑      | High or low                                     | 1.8† |     | ns  |      |     |

† This data-sheet limit may vary among suppliers.

switching characteristics over recommended ranges of supply voltage and operating free-air temperature, C<sub>L</sub> = 50 pF (unless otherwise noted) (see Figure 1)

| PARAMETER        | FROM<br>(INPUT) | TO<br>(OUTPUT) | SN54ABT574                                      |     |     |     |     | UNIT |
|------------------|-----------------|----------------|---|-----|-----|-----|-----|------|
|                  |                 |                | V <sub>CC</sub> = 5 V,<br>T <sub>A</sub> = 25°C |     |     | MIN | MAX |      |
|                  |                 |                | MIN   | TYP | MAX |     |     |      |
| f <sub>max</sub> |                 |                | 150   | 200 |     | 150 | MHz |      |
| t <sub>PLH</sub> | CLK             | Q              | 2.2   | 3.9 | 6.2 | 2.2 | 7   | ns   |
| t <sub>PHL</sub> |                 |                | 3   | 4.8 | 7   | 3   | 7.4 |      |
| t <sub>PZH</sub> | OE              | Q              | 1   | 3.3 | 5   | 1   | 5.8 | ns   |
| t <sub>PZL</sub> |                 |                | 2.5   | 4.7 | 5.9 | 2.5 | 7.2 |      |
| t <sub>PHZ</sub> | OE              | Q              | 2.4   | 4.9 | 6.2 | 2.4 | 7.2 | ns   |
| t <sub>PLZ</sub> |                 |                | 2   | 4   | 5.8 | 2   | 6.9 |      |

switching characteristics over recommended ranges of supply voltage and operating free-air temperature, C<sub>L</sub> = 50 pF (unless otherwise noted) (see Figure 1)

| PARAMETER        | FROM<br>(INPUT) | TO<br>(OUTPUT) | SN74ABT574A                                     |     |     |      |     | UNIT |
|------------------|-----------------|----------------|---|-----|-----|------|-----|------|
|                  |                 |                | V <sub>CC</sub> = 5 V,<br>T <sub>A</sub> = 25°C |     |     | MIN  | MAX |      |
|                  |                 |                | MIN   | TYP | MAX |      |     |      |
| f <sub>max</sub> |                 |                | 150   | 200 |     | 150  | MHz |      |
| t <sub>PLH</sub> | CLK             | Q              | 2.2   | 3.9 | 6.2 | 2.2  | 6.8 | ns   |
| t <sub>PHL</sub> |                 |                | 3   | 4.8 | 6.6 | 3    | 7.1 |      |
| t <sub>PZH</sub> | OE              | Q              | 1   | 3.3 | 4.3 | 1    | 5.1 | ns   |
| t <sub>PZL</sub> |                 |                | 2.1†  | 4.7 | 5.9 | 2.1† | 6.7 |      |
| t <sub>PHZ</sub> | OE              | Q              | 2.4   | 4.9 | 6.2 | 2.4  | 7   | ns   |
| t <sub>PLZ</sub> |                 |                | 2   | 4   | 5.8 | 2    | 6.5 |      |

† This data-sheet limit may vary among suppliers.

# SN54ABT574, SN74ABT574A OCTAL EDGE-TRIGGERED D-TYPE FLIP-FLOPS WITH 3-STATE OUTPUTS

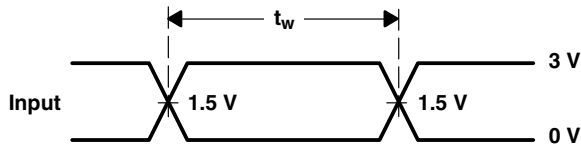
SCBS191F – JANUARY 1991 – REVISED SEPTEMBER 2003

## PARAMETER MEASUREMENT INFORMATION



LOAD CIRCUIT

| TEST              | S1   |
|-------------------|------|
| $t_{PLH}/t_{PHL}$ | Open |
| $t_{PLZ}/t_{PZL}$ | 7 V  |
| $t_{PHZ}/t_{PZH}$ | Open |



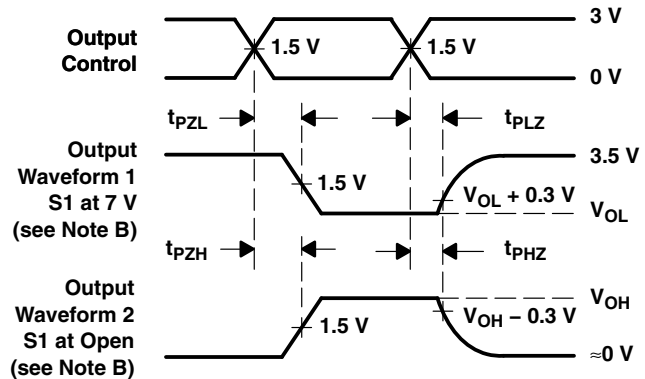
VOLTAGE WAVEFORMS  
PULSE DURATION



VOLTAGE WAVEFORMS  
SETUP AND HOLD TIMES



VOLTAGE WAVEFORMS  
PROPAGATION DELAY TIMES  
INVERTING AND NONINVERTING OUTPUTS



VOLTAGE WAVEFORMS  
ENABLE AND DISABLE TIMES  
LOW- AND HIGH-LEVEL ENABLING

- NOTES: A.  $C_L$  includes probe and jig capacitance.  
 B. Waveform 1 is for an output with internal conditions such that the output is low except when disabled by the output control. Waveform 2 is for an output with internal conditions such that the output is high except when disabled by the output control.  
 C. All input pulses are supplied by generators having the following characteristics:  $PRR \leq 10 \text{ MHz}$ ,  $Z_O = 50 \Omega$ ,  $t_r \leq 2.5 \text{ ns}$ ,  $t_f \leq 2.5 \text{ ns}$ .  
 D. The outputs are measured one at a time with one transition per measurement.  
 E. All parameters and waveforms are not applicable to all devices.

Figure 1. Load Circuit and Voltage Waveforms

**PACKAGING INFORMATION**

| Orderable Device | Status <sup>(1)</sup> | Package Type | Package Drawing | Pins | Package Qty | Eco Plan <sup>(2)</sup>    | Lead/<br>Ball Finish | MSL Peak Temp <sup>(3)</sup> | Samples<br>(Requires Login) |
|------------------|-----------------------|--------------|-----------------|------|-------------|----------------------------|----------------------|------------------------------|-----------------------------|
| 5962-9322001Q2A  | ACTIVE                | LCCC         | FK              | 20   | 1           | TBD                        | Call TI              | Call TI                      |                             |
| 5962-9322001QRA  | ACTIVE                | CDIP         | J               | 20   | 1           | TBD                        | Call TI              | Call TI                      |                             |
| 5962-9322001QSA  | ACTIVE                | CFP          | W               | 20   | 1           | TBD                        | Call TI              | Call TI                      |                             |
| SN74ABT574ADBLE  | OBSOLETE              | SSOP         | DB              | 20   |             | TBD                        | Call TI              | Call TI                      |                             |
| SN74ABT574ADBR   | ACTIVE                | SSOP         | DB              | 20   | 2000        | Green (RoHS<br>& no Sb/Br) | CU NIPDAU            | Level-1-260C-UNLIM           |                             |
| SN74ABT574ADBRE4 | ACTIVE                | SSOP         | DB              | 20   | 2000        | Green (RoHS<br>& no Sb/Br) | CU NIPDAU            | Level-1-260C-UNLIM           |                             |
| SN74ABT574ADBRG4 | ACTIVE                | SSOP         | DB              | 20   | 2000        | Green (RoHS<br>& no Sb/Br) | CU NIPDAU            | Level-1-260C-UNLIM           |                             |
| SN74ABT574ADW    | ACTIVE                | SOIC         | DW              | 20   | 25          | Green (RoHS<br>& no Sb/Br) | CU NIPDAU            | Level-1-260C-UNLIM           |                             |
| SN74ABT574ADWE4  | ACTIVE                | SOIC         | DW              | 20   | 25          | Green (RoHS<br>& no Sb/Br) | CU NIPDAU            | Level-1-260C-UNLIM           |                             |
| SN74ABT574ADWG4  | ACTIVE                | SOIC         | DW              | 20   | 25          | Green (RoHS<br>& no Sb/Br) | CU NIPDAU            | Level-1-260C-UNLIM           |                             |
| SN74ABT574ADWR   | ACTIVE                | SOIC         | DW              | 20   | 2000        | Green (RoHS<br>& no Sb/Br) | CU NIPDAU            | Level-1-260C-UNLIM           |                             |
| SN74ABT574ADWRE4 | ACTIVE                | SOIC         | DW              | 20   | 2000        | Green (RoHS<br>& no Sb/Br) | CU NIPDAU            | Level-1-260C-UNLIM           |                             |
| SN74ABT574ADWRG4 | ACTIVE                | SOIC         | DW              | 20   | 2000        | Green (RoHS<br>& no Sb/Br) | CU NIPDAU            | Level-1-260C-UNLIM           |                             |
| SN74ABT574AN     | ACTIVE                | PDIP         | N               | 20   | 20          | Pb-Free (RoHS)             | CU NIPDAU            | N / A for Pkg Type           |                             |
| SN74ABT574ANE4   | ACTIVE                | PDIP         | N               | 20   | 20          | Pb-Free (RoHS)             | CU NIPDAU            | N / A for Pkg Type           |                             |
| SN74ABT574ANSR   | ACTIVE                | SO           | NS              | 20   | 2000        | Green (RoHS<br>& no Sb/Br) | CU NIPDAU            | Level-1-260C-UNLIM           |                             |
| SN74ABT574ANSRE4 | ACTIVE                | SO           | NS              | 20   | 2000        | Green (RoHS<br>& no Sb/Br) | CU NIPDAU            | Level-1-260C-UNLIM           |                             |
| SN74ABT574ANSRG4 | ACTIVE                | SO           | NS              | 20   | 2000        | Green (RoHS<br>& no Sb/Br) | CU NIPDAU            | Level-1-260C-UNLIM           |                             |
| SN74ABT574APW    | ACTIVE                | TSSOP        | PW              | 20   | 70          | Green (RoHS<br>& no Sb/Br) | CU NIPDAU            | Level-1-260C-UNLIM           |                             |

| Orderable Device | Status <sup>(1)</sup> | Package Type | Package Drawing | Pins | Package Qty | Eco Plan <sup>(2)</sup> | Lead/<br>Ball Finish | MSL Peak Temp <sup>(3)</sup> | Samples<br>(Requires Login) |
|------------------|-----------------------|--------------|-----------------|------|-------------|-------------------------|----------------------|------------------------------|-----------------------------|
| SN74ABT574APWE4  | ACTIVE                | TSSOP        | PW              | 20   | 70          | Green (RoHS & no Sb/Br) | CU NIPDAU            | Level-1-260C-UNLIM           |                             |
| SN74ABT574APWG4  | ACTIVE                | TSSOP        | PW              | 20   | 70          | Green (RoHS & no Sb/Br) | CU NIPDAU            | Level-1-260C-UNLIM           |                             |
| SN74ABT574APWLE  | OBSOLETE              | TSSOP        | PW              | 20   |             | TBD                     | Call TI              | Call TI                      |                             |
| SN74ABT574APWR   | ACTIVE                | TSSOP        | PW              | 20   | 2000        | Green (RoHS & no Sb/Br) | CU NIPDAU            | Level-1-260C-UNLIM           |                             |
| SN74ABT574APWRE4 | ACTIVE                | TSSOP        | PW              | 20   | 2000        | Green (RoHS & no Sb/Br) | CU NIPDAU            | Level-1-260C-UNLIM           |                             |
| SN74ABT574APWRG4 | ACTIVE                | TSSOP        | PW              | 20   | 2000        | Green (RoHS & no Sb/Br) | CU NIPDAU            | Level-1-260C-UNLIM           |                             |
| SNJ54ABT574FK    | ACTIVE                | LCCC         | FK              | 20   | 1           | TBD                     | POST-PLATE           | N / A for Pkg Type           |                             |
| SNJ54ABT574J     | ACTIVE                | CDIP         | J               | 20   | 1           | TBD                     | A42                  | N / A for Pkg Type           |                             |
| SNJ54ABT574W     | ACTIVE                | CFP          | W               | 20   | 1           | TBD                     | Call TI              | N / A for Pkg Type           |                             |

<sup>(1)</sup> The marketing status values are defined as follows:

**ACTIVE:** Product device recommended for new designs.

**LIFEBUY:** TI has announced that the device will be discontinued, and a lifetime-buy period is in effect.

**NRND:** Not recommended for new designs. Device is in production to support existing customers, but TI does not recommend using this part in a new design.

**PREVIEW:** Device has been announced but is not in production. Samples may or may not be available.

**OBSOLETE:** TI has discontinued the production of the device.

<sup>(2)</sup> Eco Plan - The planned eco-friendly classification: Pb-Free (RoHS), Pb-Free (RoHS Exempt), or Green (RoHS & no Sb/Br) - please check <http://www.ti.com/productcontent> for the latest availability information and additional product content details.

**TBD:** The Pb-Free/Green conversion plan has not been defined.

**Pb-Free (RoHS):** TI's terms "Lead-Free" or "Pb-Free" mean semiconductor products that are compatible with the current RoHS requirements for all 6 substances, including the requirement that lead not exceed 0.1% by weight in homogeneous materials. Where designed to be soldered at high temperatures, TI Pb-Free products are suitable for use in specified lead-free processes.

**Pb-Free (RoHS Exempt):** This component has a RoHS exemption for either 1) lead-based flip-chip solder bumps used between the die and package, or 2) lead-based die adhesive used between the die and leadframe. The component is otherwise considered Pb-Free (RoHS compatible) as defined above.

**Green (RoHS & no Sb/Br):** TI defines "Green" to mean Pb-Free (RoHS compatible), and free of Bromine (Br) and Antimony (Sb) based flame retardants (Br or Sb do not exceed 0.1% by weight in homogeneous material)

<sup>(3)</sup> MSL, Peak Temp. -- The Moisture Sensitivity Level rating according to the JEDEC industry standard classifications, and peak solder temperature.

**Important Information and Disclaimer:** The information provided on this page represents TI's knowledge and belief as of the date that it is provided. TI bases its knowledge and belief on information provided by third parties, and makes no representation or warranty as to the accuracy of such information. Efforts are underway to better integrate information from third parties. TI has taken and continues to take reasonable steps to provide representative and accurate information but may not have conducted destructive testing or chemical analysis on incoming materials and chemicals. TI and TI suppliers consider certain information to be proprietary, and thus CAS numbers and other limited information may not be available for release.



In no event shall TI's liability arising out of such information exceed the total purchase price of the TI part(s) at issue in this document sold by TI to Customer on an annual basis.

**OTHER QUALIFIED VERSIONS OF SN54ABT574 :**

- Catalog: [SN74ABT574](#)

NOTE: Qualified Version Definitions:

- Catalog - TI's standard catalog product

**TAPE AND REEL INFORMATION**
**REEL DIMENSIONS**

**TAPE DIMENSIONS**


|    |   |
|----|---|
| A0 | Dimension designed to accommodate the component width     |
| B0 | Dimension designed to accommodate the component length    |
| K0 | Dimension designed to accommodate the component thickness |
| W  | Overall width of the carrier tape                         |
| P1 | Pitch between successive cavity centers                   |

**TAPE AND REEL INFORMATION**

\*All dimensions are nominal

| Device         | Package Type | Package Drawing | Pins | SPQ  | Reel Diameter (mm) | Reel Width W1 (mm) | A0 (mm) | B0 (mm) | K0 (mm) | P1 (mm) | W (mm) | Pin1 Quadrant |
|----------------|--------------|-----------------|------|------|--------------------|--------------------|---------|---------|---------|---------|--------|---------------|
| SN74ABT574ADBR | SSOP         | DB              | 20   | 2000 | 330.0              | 16.4               | 8.2     | 7.5     | 2.5     | 12.0    | 16.0   | Q1            |
| SN74ABT574ADWR | SOIC         | DW              | 20   | 2000 | 330.0              | 24.4               | 10.8    | 13.0    | 2.7     | 12.0    | 24.0   | Q1            |
| SN74ABT574ANSR | SO           | NS              | 20   | 2000 | 330.0              | 24.4               | 8.2     | 13.0    | 2.5     | 12.0    | 24.0   | Q1            |
| SN74ABT574APWR | TSSOP        | PW              | 20   | 2000 | 330.0              | 16.4               | 6.95    | 7.1     | 1.6     | 8.0     | 16.0   | Q1            |

**TAPE AND REEL BOX DIMENSIONS**


\*All dimensions are nominal

| Device         | Package Type | Package Drawing | Pins | SPQ  | Length (mm) | Width (mm) | Height (mm) |
|----------------|--------------|-----------------|------|------|-------------|------------|-------------|
| SN74ABT574ADBR | SSOP         | DB              | 20   | 2000 | 367.0       | 367.0      | 38.0        |
| SN74ABT574ADWR | SOIC         | DW              | 20   | 2000 | 367.0       | 367.0      | 45.0        |
| SN74ABT574ANSR | SO           | NS              | 20   | 2000 | 367.0       | 367.0      | 45.0        |
| SN74ABT574APWR | TSSOP        | PW              | 20   | 2000 | 367.0       | 367.0      | 38.0        |

J (R-GDIP-T\*\*)

14 LEADS SHOWN

CERAMIC DUAL IN-LINE PACKAGE



| DIM \ PINS ** | 14                     | 16                     | 18                     | 20                     |
|---------------|------------------------|------------------------|------------------------|------------------------|
| A             | 0.300<br>(7,62)<br>BSC | 0.300<br>(7,62)<br>BSC | 0.300<br>(7,62)<br>BSC | 0.300<br>(7,62)<br>BSC |
| B MAX         | 0.785<br>(19,94)       | .840<br>(21,34)        | 0.960<br>(24,38)       | 1.060<br>(26,92)       |
| B MIN         | —                      | —                      | —                      | —                      |
| C MAX         | 0.300<br>(7,62)        | 0.300<br>(7,62)        | 0.310<br>(7,87)        | 0.300<br>(7,62)        |
| C MIN         | 0.245<br>(6,22)        | 0.245<br>(6,22)        | 0.220<br>(5,59)        | 0.245<br>(6,22)        |



4040083/F 03/03

- NOTES:
- All linear dimensions are in inches (millimeters).
  - This drawing is subject to change without notice.
  - This package is hermetically sealed with a ceramic lid using glass frit.
  - Index point is provided on cap for terminal identification only on press ceramic glass frit seal only.
  - Falls within MIL STD 1835 GDIP1-T14, GDIP1-T16, GDIP1-T18 and GDIP1-T20.

W (R-GDFP-F20)

CERAMIC DUAL FLATPACK



- NOTES:
- A. All linear dimensions are in inches (millimeters).
  - B. This drawing is subject to change without notice.
  - C. This package can be hermetically sealed with a ceramic lid using glass frit.
  - D. Index point is provided on cap for terminal identification only.
  - E. Falls within Mil-Std 1835 GDFP2-F20

FK (S-CQCC-N\*\*)

LEADLESS CERAMIC CHIP CARRIER

28 TERMINAL SHOWN



| NO. OF TERMINALS ** | A                |                  | B                |                  |
|---------------------|------------------|------------------|------------------|------------------|
|                     | MIN              | MAX              | MIN              | MAX              |
| 20                  | 0.342<br>(8,69)  | 0.358<br>(9,09)  | 0.307<br>(7,80)  | 0.358<br>(9,09)  |
| 28                  | 0.442<br>(11,23) | 0.458<br>(11,63) | 0.406<br>(10,31) | 0.458<br>(11,63) |
| 44                  | 0.640<br>(16,26) | 0.660<br>(16,76) | 0.495<br>(12,58) | 0.560<br>(14,22) |
| 52                  | 0.740<br>(18,78) | 0.761<br>(19,32) | 0.495<br>(12,58) | 0.560<br>(14,22) |
| 68                  | 0.938<br>(23,83) | 0.962<br>(24,43) | 0.850<br>(21,6)  | 0.858<br>(21,8)  |
| 84                  | 1.141<br>(28,99) | 1.165<br>(29,59) | 1.047<br>(26,6)  | 1.063<br>(27,0)  |



4040140/D 01/11

- NOTES:
- All linear dimensions are in inches (millimeters).
  - This drawing is subject to change without notice.
  - This package can be hermetically sealed with a metal lid.
  - Falls within JEDEC MS-004

N (R-PDIP-T\*\*)

PLASTIC DUAL-IN-LINE PACKAGE

16 PINS SHOWN



- NOTES:
- A. All linear dimensions are in inches (millimeters).
  - B. This drawing is subject to change without notice.
  - Falls within JEDEC MS-001, except 18 and 20 pin minimum body length (Dim A).
  - The 20 pin end lead shoulder width is a vendor option, either half or full width.

DW (R-PDSO-G20)

PLASTIC SMALL OUTLINE



- NOTES:
- All linear dimensions are in inches (millimeters). Dimensioning and tolerancing per ASME Y14.5M-1994.
  - This drawing is subject to change without notice.
  - Body dimensions do not include mold flash or protrusion not to exceed 0.006 (0,15).
  - Falls within JEDEC MS-013 variation AC.



PW (R-PDSO-G20)

PLASTIC SMALL OUTLINE



4040064-5/G 02/11

- NOTES:
- A. All linear dimensions are in millimeters. Dimensioning and tolerancing per ASME Y14.5M-1994.
  - B. This drawing is subject to change without notice.
  - C. Body length does not include mold flash, protrusions, or gate burrs. Mold flash, protrusions, or gate burrs shall not exceed 0,15 each side.
  - D. Body width does not include interlead flash. Interlead flash shall not exceed 0,25 each side.
  - E. Falls within JEDEC MO-153

PW (R-PDSO-G20)

PLASTIC SMALL OUTLINE



- NOTES:
- A. All linear dimensions are in millimeters.
  - B. This drawing is subject to change without notice.
  - C. Publication IPC-7351 is recommended for alternate design.
  - D. Laser cutting apertures with trapezoidal walls and also rounding corners will offer better paste release. Customers should contact their board assembly site for stencil design recommendations. Refer to IPC-7525 for other stencil recommendations.
  - E. Customers should contact their board fabrication site for solder mask tolerances between and around signal pads.

# MECHANICAL DATA

NS (R-PDSO-G\*\*)

PLASTIC SMALL-OUTLINE PACKAGE

14-PINS SHOWN



- NOTES:
- A. All linear dimensions are in millimeters.
  - B. This drawing is subject to change without notice.
  - C. Body dimensions do not include mold flash or protrusion, not to exceed 0,15.

DB (R-PDSO-G\*\*)

PLASTIC SMALL-OUTLINE

28 PINS SHOWN



- NOTES: A. All linear dimensions are in millimeters.  
 B. This drawing is subject to change without notice.  
 C. Body dimensions do not include mold flash or protrusion not to exceed 0,15.  
 D. Falls within JEDEC MO-150

## IMPORTANT NOTICE

Texas Instruments Incorporated and its subsidiaries (TI) reserve the right to make corrections, enhancements, improvements and other changes to its semiconductor products and services per JESD46C and to discontinue any product or service per JESD48B. Buyers should obtain the latest relevant information before placing orders and should verify that such information is current and complete. All semiconductor products (also referred to herein as "components") are sold subject to TI's terms and conditions of sale supplied at the time of order acknowledgment.

TI warrants performance of its components to the specifications applicable at the time of sale, in accordance with the warranty in TI's terms and conditions of sale of semiconductor products. Testing and other quality control techniques are used to the extent TI deems necessary to support this warranty. Except where mandated by applicable law, testing of all parameters of each component is not necessarily performed.

TI assumes no liability for applications assistance or the design of Buyers' products. Buyers are responsible for their products and applications using TI components. To minimize the risks associated with Buyers' products and applications, Buyers should provide adequate design and operating safeguards.

TI does not warrant or represent that any license, either express or implied, is granted under any patent right, copyright, mask work right, or other intellectual property right relating to any combination, machine, or process in which TI components or services are used. Information published by TI regarding third-party products or services does not constitute a license to use such products or services or a warranty or endorsement thereof. Use of such information may require a license from a third party under the patents or other intellectual property of the third party, or a license from TI under the patents or other intellectual property of TI.

Reproduction of significant portions of TI information in TI data books or data sheets is permissible only if reproduction is without alteration and is accompanied by all associated warranties, conditions, limitations, and notices. TI is not responsible or liable for such altered documentation. Information of third parties may be subject to additional restrictions.

Resale of TI components or services with statements different from or beyond the parameters stated by TI for that component or service voids all express and any implied warranties for the associated TI component or service and is an unfair and deceptive business practice. TI is not responsible or liable for any such statements.

Buyer acknowledges and agrees that it is solely responsible for compliance with all legal, regulatory and safety-related requirements concerning its products, and any use of TI components in its applications, notwithstanding any applications-related information or support that may be provided by TI. Buyer represents and agrees that it has all the necessary expertise to create and implement safeguards which anticipate dangerous consequences of failures, monitor failures and their consequences, lessen the likelihood of failures that might cause harm and take appropriate remedial actions. Buyer will fully indemnify TI and its representatives against any damages arising out of the use of any TI components in safety-critical applications.

In some cases, TI components may be promoted specifically to facilitate safety-related applications. With such components, TI's goal is to help enable customers to design and create their own end-product solutions that meet applicable functional safety standards and requirements. Nonetheless, such components are subject to these terms.

No TI components are authorized for use in FDA Class III (or similar life-critical medical equipment) unless authorized officers of the parties have executed a special agreement specifically governing such use.

Only those TI components which TI has specifically designated as military grade or "enhanced plastic" are designed and intended for use in military/aerospace applications or environments. Buyer acknowledges and agrees that any military or aerospace use of TI components which have **not** been so designated is solely at the Buyer's risk, and that Buyer is solely responsible for compliance with all legal and regulatory requirements in connection with such use.

TI has specifically designated certain components which meet ISO/TS16949 requirements, mainly for automotive use. Components which have not been so designated are neither designed nor intended for automotive use; and TI will not be responsible for any failure of such components to meet such requirements.

### Products

|                        |  |
|------------------------|--|
| Audio                  | <a href="http://www.ti.com/audio">www.ti.com/audio</a>                               |
| Amplifiers             | <a href="http://amplifier.ti.com">amplifier.ti.com</a>                               |
| Data Converters        | <a href="http://dataconverter.ti.com">dataconverter.ti.com</a>                       |
| DLP® Products          | <a href="http://www.dlp.com">www.dlp.com</a>   |
| DSP                    | <a href="http://dsp.ti.com">dsp.ti.com</a>   |
| Clocks and Timers      | <a href="http://www.ti.com/clocks">www.ti.com/clocks</a>                             |
| Interface              | <a href="http://interface.ti.com">interface.ti.com</a>                               |
| Logic                  | <a href="http://logic.ti.com">logic.ti.com</a>                                       |
| Power Mgmt             | <a href="http://power.ti.com">power.ti.com</a>                                       |
| Microcontrollers       | <a href="http://microcontroller.ti.com">microcontroller.ti.com</a>                   |
| RFID                   | <a href="http://www.ti-rfid.com">www.ti-rfid.com</a>                                 |
| OMAP Mobile Processors | <a href="http://www.ti.com/omap">www.ti.com/omap</a>                                 |
| Wireless Connectivity  | <a href="http://www.ti.com/wirelessconnectivity">www.ti.com/wirelessconnectivity</a> |

### Applications

|                               |  |
|-------------------------------|--|
| Automotive and Transportation | <a href="http://www.ti.com/automotive">www.ti.com/automotive</a>                         |
| Communications and Telecom    | <a href="http://www.ti.com/communications">www.ti.com/communications</a>                 |
| Computers and Peripherals     | <a href="http://www.ti.com/computers">www.ti.com/computers</a>                           |
| Consumer Electronics          | <a href="http://www.ti.com/consumer-apps">www.ti.com/consumer-apps</a>                   |
| Energy and Lighting           | <a href="http://www.ti.com/energy">www.ti.com/energy</a>                                 |
| Industrial                    | <a href="http://www.ti.com/industrial">www.ti.com/industrial</a>                         |
| Medical                       | <a href="http://www.ti.com/medical">www.ti.com/medical</a>                               |
| Security                      | <a href="http://www.ti.com/security">www.ti.com/security</a>                             |
| Space, Avionics and Defense   | <a href="http://www.ti.com/space-avionics-defense">www.ti.com/space-avionics-defense</a> |
| Video and Imaging             | <a href="http://www.ti.com/video">www.ti.com/video</a>                                   |

**TI E2E Community** [e2e.ti.com](http://e2e.ti.com)



**Стандарт  
Электрон  
Связь**

Мы молодая и активно развивающаяся компания в области поставок электронных компонентов. Мы поставляем электронные компоненты отечественного и импортного производства напрямую от производителей и с крупнейших складов мира.

Благодаря сотрудничеству с мировыми поставщиками мы осуществляем комплексные и плановые поставки широчайшего спектра электронных компонентов.

Собственная эффективная логистика и склад в обеспечивает надежную поставку продукции в точно указанные сроки по всей России.

Мы осуществляем техническую поддержку нашим клиентам и предпродажную проверку качества продукции. На все поставляемые продукты мы предоставляем гарантию .

Осуществляем поставки продукции под контролем ВП МО РФ на предприятия военно-промышленного комплекса России , а также работаем в рамках 275 ФЗ с открытием отдельных счетов в уполномоченном банке. Система менеджмента качества компании соответствует требованиям ГОСТ ISO 9001.

Минимальные сроки поставки, гибкие цены, неограниченный ассортимент и индивидуальный подход к клиентам являются основой для выстраивания долгосрочного и эффективного сотрудничества с предприятиями радиоэлектронной промышленности, предприятиями ВПК и научно-исследовательскими институтами России.

С нами вы становитесь еще успешнее!

**Наши контакты:**

**Телефон:** +7 812 627 14 35

**Электронная почта:** [sales@st-electron.ru](mailto:sales@st-electron.ru)

**Адрес:** 198099, Санкт-Петербург,  
Промышленная ул, дом № 19, литера Н,  
помещение 100-Н Офис 331